

 **BOEING**
COMPONENT
MAINTENANCE MANUAL

TO: ALL HOLDERS OF FAN DUCT COWL AND THRUST REVERSER ASSEMBLY COMPONENT
MAINTENANCE MANUAL, 78-31-41

REVISION NO. 16 DATED NOV 01/03

HIGHLIGHTS

Pages which have been added or revised are outlined below together with the highlights of the revision. Remove and insert the affected pages as listed and enter Revision No. and date on the Record of Revision Sheet.

CHAPTER/SECTION

AND PAGE NO.

DESCRIPTION OF CHANGE

TITLE PAGE

Edited without technical change.

1

REPAIR-GEN

601-602

REPAIR 1-1

601

REPAIR 2-1

601-602

REPAIR 7-1

601-604

702,708-710

801-802

103

Added IPL Fig. 9 thru IPL Fig. 15.

301-303

501

REPAIR 3-1

604-605

REPAIR 4-1

604-605

REPAIR 7-1

605-607

702-706,712-718

1014-1014D,1014F-1014G,

1014J-1014N

78-31-41

HIGHLIGHTS

01.1

Page 1

Nov 01/03

 **BOEING**
COMPONENT
MAINTENANCE MANUAL

<u>CHAPTER/SECTION AND PAGE NO.</u>	<u>DESCRIPTION OF CHANGE</u>
REPAIR-GEN 601	Added track fairings, part numbers 315T4531-1 thru -12.
REPAIR 3-1 601-603	
REPAIR 4-1 601-603	
REPAIR 5-1 601-603 707	
REPAIR 3-1 604-605	Updated IPL illustrations.
REPAIR 4-1 604-605 712-718 1003-1013,10140-1032, 1032C,1032E-1032I, 1032K-1036G,1036I, 1036M-1038Y,1040A-1040R, 1040Y-1042W,1042Y-1044M, 10440-1044S,1044U-1046U, 1046W-1046X 1046Y-1048R,1048T-1050	
701 901	Updated Special Tools.
707,717	Added clamp installation.
711	Added wiring illustrations.

78-31-41

HIGHLIGHTS

01.1

Page 2

Nov 01/03

FAN DUCT COWL AND THRUST REVERSER ASSEMBLY
747/767 (PW4000)

PART NUMBERS 315T4014-9SP THRU -12SP,
-25SP THRU -42SP,
-47SP THRU -90SP,
-95SP THRU -190SP,
-191 THRU -198,
-207 THRU -210,
315T4701-5SP THRU -24SP

COMPONENT MAINTENANCE MANUAL
WITH
ILLUSTRATED PARTS LIST

78-31-41

TITLE PAGE

01.1

Page 1

Nov 01/03

REVISION RECORD

- Retain this record in front of manual. On receipt of revision, insert revised pages in the manual, and enter revision number, date inserted and initial.

REVISION NUMBER	REVISION DATE	DATE FILED	BY	REVISION NUMBER	REVISION DATE	DATE FILED	BY

78-31-41

REVISION RECORD

01.1

Page 1

Sep 01/95

TEMPORARY REVISION AND SERVICE BULLETIN RECORD

BOEING SERVICE BULLETIN	BOEING TEMPORARY REVISION	OTHER DIRECTIVE	DATE OF INCORPORATION INTO MANUAL
SB 78-30		PRR B11480-3 PRR B11480-6 PRR B11572 PRR B11480-12 PRR 80451-9 PRR B11639 PRR 80451-39 PRR B11480-55 PRR 80451-45 PRR B11480-65 PRR 80857 PRR B11738 PRR B11480-57 PRR C12060 PRR 80850-3 PRR 79800-346 PRR C12339	OCT 10/86 OCT 10/86 APR 10/87 OCT 01/87 OCT 01/87 OCT 01/87 JAN 01/89 JAN 01/89 JAN 01/89 JAN 01/89 JAN 01/89 JAN 01/89 JAN 01/89 JAN 01/89 JAN 01/89 JAN 01/89 JAN 01/89 JAN 01/89 OCT 01/90 JAN 01/89 JAN 01/89 JAN 01/89 JAN 01/89
SB 71A25	78-1	PRR B11948 PRR B11480-71 PRR 80451-53 PRR 80451-69	OCT 01/90 OCT 01/90 OCT 01/90 OCT 01/90
SB 767-78-0062-R1		PRR 80451-26 PRR 80451-65 PRR B11480-108 PRR B12488 PRR 80451-94	JAN 01/93 JAN 01/93 JUN 01/94 JUN 01/94 JUN 01/94
SB 767-78A0072 SB 747-78A2126		PRR 80451-103 PRR B12534	JUN 01/94 JUN 01/94 JUN 01/94
SB 767-78-0062-R3		PRR B11480-107	DEC 01/94 JUN 01/95
SB 767-78-0062-R4 SB 747-78-2155		PRR 80451-111 PRR B12900-122	JUN 01/95 JUL 01/99 SEP 01/95 JUN 01/97

78-31-41

TR & SB RECORD

01.1

Page 1

Jul 01/99

PAGE	DATE	CODE	PAGE	DATE	CODE
78-31-41			CHECK		
			*501	NOV 01/03	01.1
			502	SEP 01/95	01.1
TITLE PAGE			REPAIR-GENERAL		
*1	NOV 01/03	01.1	*601	NOV 01/03	01.1
2	BLANK		*602	NOV 01/03	01.1
REVISION RECORD			603	SEP 01/95	01.1
1	SEP 01/95	01.1	604	BLANK	
2	BLANK		REPAIR 1-1		
TR & SB RECORD			*601	NOV 01/03	01.1
1	JUL 01/99	01.1	602	BLANK	
2	BLANK		REPAIR 2-1		
LIST OF EFFECTIVE PAGES			*601	NOV 01/03	01.1
*1	NOV 01/03	01	*602	NOV 01/03	01.1
THRU LAST PAGE			REPAIR 3-1		
CONTENTS			*601	NOV 01/03	01.1
1	SEP 01/95	01.1	*602	NOV 01/03	01.1
2	BLANK		*603	NOV 01/03	01.1
INTRODUCTION			*604	NOV 01/03	01.1
1	SEP 01/95	01.1	*605	NOV 01/03	01.1
2	BLANK		*606	BLANK	
DESCRIPTION & OPERATION			REPAIR 4-1		
1	SEP 01/95	01.1	*601	NOV 01/03	01.1
2	BLANK		*602	NOV 01/03	01.1
TESTING & TROUBLE SHOOTING			*603	NOV 01/03	01.1
101	SEP 01/95	01.1	*604	NOV 01/03	01.1
102	SEP 01/95	01.1	*605	NOV 01/03	01.1
*103	NOV 01/03	01.1	*606	BLANK	
104	BLANK		REPAIR 5-1		
DISASSEMBLY			*601	NOV 01/03	01.1
*301	NOV 01/03	01.1	*602	NOV 01/03	01.1
*302	NOV 01/03	01.1	*603	NOV 01/03	01.1
*303	NOV 01/03	01.1	*604	BLANK	
304	BLANK				

* = REVISED, ADDED OR DELETED

78-31-41

EFFECTIVE PAGES
CONTINUED Page 1
01 Nov 01/03

PAGE	DATE	CODE	PAGE	DATE	CODE
REPAIR 6-1			ILLUSTRATED PARTS LIST		
601	SEP 01/95	01.1	1001	SEP 01/95	01.1
602	SEP 01/95	01.1	1002	SEP 01/95	01.1
REPAIR 7-1			*1003	NOV 01/03	01.1
*601	NOV 01/03	01.1	*1004	NOV 01/03	01.1
*602	NOV 01/03	01.1	*1005	NOV 01/03	01.1
*603	NOV 01/03	01.1	*1006	NOV 01/03	01.1
*604	NOV 01/03	01.1	*1007	NOV 01/03	01.1
*605	NOV 01/03	01.1	*1008	NOV 01/03	01.1
*606	NOV 01/03	01.1	*1009	NOV 01/03	01.1
*607	NOV 01/03	01.1	*1010	NOV 01/03	01.1
*608	BLANK		*1010A	NOV 01/03	01.1
ASSEMBLY			*1010B	NOV 01/03	01.1
*701	NOV 01/03	01.1	*1010C	NOV 01/03	01.1
*702	NOV 01/03	01.1	*1010D	NOV 01/03	01.1
*703	NOV 01/03	01.1	*1010E	NOV 01/03	01.1
*704	NOV 01/03	01.1	*1010F	NOV 01/03	01.1
*705	NOV 01/03	01.1	*1010G	NOV 01/03	01.1
*706	NOV 01/03	01.1	*1010H	NOV 01/03	01.1
*707	NOV 01/03	01.1	*1010I	NOV 01/03	01.1
*708	NOV 01/03	01.1	*1010J	NOV 01/03	01.1
*709	NOV 01/03	01.1	*1010K	NOV 01/03	01.1
*710	NOV 01/03	01.1	*1010L	NOV 01/03	01.1
*711	NOV 01/03	01.1	*1010M	NOV 01/03	01.1
*712	NOV 01/03	01.1	*1010N	NOV 01/03	01.1
*713	NOV 01/03	01.1	*1010O	NOV 01/03	01.1
*714	NOV 01/03	01.1	*1010P	NOV 01/03	01.1
*715	NOV 01/03	01.1	*1010Q	NOV 01/03	01.1
*716	NOV 01/03	01.1	*1010R	NOV 01/03	01.1
*717	NOV 01/03	01.1	*1010S	NOV 01/03	01.1
*718	NOV 01/03	01.1	*1010T	NOV 01/03	01.1
FITS AND CLEARANCES			*1010U	NOV 01/03	01.1
*801	NOV 01/03	01.1	*1010V	NOV 01/03	01.1
*802	NOV 01/03	01.1	*1010W	NOV 01/03	01.1
SPECIAL TOOLS			*1010X	NOV 01/03	01.1
*901	NOV 01/03	01.1	*1010Y	NOV 01/03	01.1
902	BLANK		*1010Z	NOV 01/03	01.1
			*1011	NOV 01/03	01.1
			*1012	NOV 01/03	01.1
			*1012A	NOV 01/03	01.1
			*1012B	NOV 01/03	01.1
			*1012C	NOV 01/03	01.1
			*1012D	NOV 01/03	01.1

* = REVISED, ADDED OR DELETED

78-31-41

 EFFECTIVE PAGES
 CONTINUED Page 2
 01 Nov 01/03



BOEING
COMPONENT
MAINTENANCE MANUAL

PAGE	DATE	CODE	PAGE	DATE	CODE
ILLUSTRATED PARTS LIST		CONT.	ILLUSTRATED PARTS LIST		CONT.
*1012E	NOV 01/03	01.1	*1014S	NOV 01/03	01.1
*1012F	NOV 01/03	01.1	*1014T	NOV 01/03	01.1
*1012G	NOV 01/03	01.1	*1014U	NOV 01/03	01.1
*1012H	NOV 01/03	01.1	*1014V	NOV 01/03	01.1
*1012I	NOV 01/03	01.1	*1014W	NOV 01/03	01.1
*1012J	NOV 01/03	01.1	*1014X	NOV 01/03	01.1
*1012K	NOV 01/03	01.1	*1014Y	NOV 01/03	01.1
*1012L	NOV 01/03	01.1	*1014Z	NOV 01/03	01.1
*1012M	NOV 01/03	01.1	*1015	NOV 01/03	01.1
*1012N	NOV 01/03	01.1	*1016	NOV 01/03	01.1
*1012O	NOV 01/03	01.1	*1016A	NOV 01/03	01.1
*1012P	NOV 01/03	01.1	*1016B	NOV 01/03	01.1
*1012Q	NOV 01/03	01.1	*1016C	NOV 01/03	01.1
*1012R	NOV 01/03	01.1	*1016D	NOV 01/03	01.1
*1012S	NOV 01/03	01.1	*1016E	NOV 01/03	01.1
*1012T	NOV 01/03	01.1	*1016F	NOV 01/03	01.1
*1012U	NOV 01/03	01.1	*1016G	NOV 01/03	01.1
*1012V	NOV 01/03	01.1	*1016H	NOV 01/03	01.1
*1012W	NOV 01/03	01.1	*1016I	NOV 01/03	01.1
*1012X	NOV 01/03	01.1	*1016J	NOV 01/03	01.1
*1012Y	NOV 01/03	01.1	*1016K	NOV 01/03	01.1
*1012Z	NOV 01/03	01.1	*1016L	NOV 01/03	01.1
*1013	NOV 01/03	01.1	*1016M	NOV 01/03	01.1
*1014	NOV 01/03	01.1	*1016N	NOV 01/03	01.1
*1014A	NOV 01/03	01.1	*1016O	NOV 01/03	01.1
*1014B	NOV 01/03	01.1	*1016P	NOV 01/03	01.1
*1014C	NOV 01/03	01.1	*1016Q	NOV 01/03	01.1
*1014D	NOV 01/03	01.1	*1016R	NOV 01/03	01.1
*1014E	NOV 01/03	01.101	*1016S	NOV 01/03	01.1
*1014F	NOV 01/03	01.1	*1016T	NOV 01/03	01.1
*1014G	NOV 01/03	01.1	*1016U	NOV 01/03	01.1
*1014H	NOV 01/03	01.101	*1016V	NOV 01/03	01.1
*1014I	NOV 01/03	01.101	*1016W	NOV 01/03	01.1
*1014J	NOV 01/03	01.1	*1016X	NOV 01/03	01.1
*1014K	NOV 01/03	01.1	*1016Y	NOV 01/03	01.1
*1014L	NOV 01/03	01.1	*1016Z	NOV 01/03	01.1
*1014M	NOV 01/03	01.1	*1017	NOV 01/03	01.1
*1014N	NOV 01/03	01.1	*1018	NOV 01/03	01.1
*1014O	NOV 01/03	01.1	*1018A	NOV 01/03	01.1
*1014P	NOV 01/03	01.1	*1018B	NOV 01/03	01.1
*1014Q	NOV 01/03	01.1	*1018C	NOV 01/03	01.1
*1014R	NOV 01/03	01.1	*1018D	NOV 01/03	01.1

* = REVISED, ADDED OR DELETED

78-31-41

EFFECTIVE PAGES
CONTINUED Page 3
01 Nov 01/03

PAGE	DATE	CODE	PAGE	DATE	CODE
ILLUSTRATED PARTS LIST		CONT.	ILLUSTRATED PARTS LIST		CONT.
*1018E	NOV 01/03	01.1	*1020S	NOV 01/03	01.1
*1018F	NOV 01/03	01.1	*1020T	NOV 01/03	01.1
*1018G	NOV 01/03	01.1	*1020U	NOV 01/03	01.1
*1018H	NOV 01/03	01.1	*1020V	NOV 01/03	01.1
*1018I	NOV 01/03	01.1	*1020W	NOV 01/03	01.1
*1018J	NOV 01/03	01.1	*1020X	NOV 01/03	01.1
*1018K	NOV 01/03	01.1	*1020Y	NOV 01/03	01.1
*1018L	NOV 01/03	01.1	*1020Z	NOV 01/03	01.1
*1018M	NOV 01/03	01.1	*1021	NOV 01/03	01.1
*1018N	NOV 01/03	01.1	*1022	NOV 01/03	01.1
*1018O	NOV 01/03	01.1	*1022A	NOV 01/03	01.1
*1018P	NOV 01/03	01.1	*1022B	NOV 01/03	01.1
*1018Q	NOV 01/03	01.1	*1022C	NOV 01/03	01.1
*1018R	NOV 01/03	01.1	*1022D	NOV 01/03	01.1
*1018S	NOV 01/03	01.1	*1022E	NOV 01/03	01.1
*1018T	NOV 01/03	01.1	*1022F	NOV 01/03	01.1
*1018U	NOV 01/03	01.1	*1022G	NOV 01/03	01.1
*1018V	NOV 01/03	01.1	*1022H	NOV 01/03	01.1
*1018W	NOV 01/03	01.1	*1022I	NOV 01/03	01.1
*1018X	NOV 01/03	01.1	*1022J	NOV 01/03	01.1
*1018Y	NOV 01/03	01.1	*1022K	NOV 01/03	01.1
*1018Z	NOV 01/03	01.1	*1022L	NOV 01/03	01.1
*1019	NOV 01/03	01.1	*1022M	NOV 01/03	01.1
*1020	NOV 01/03	01.1	*1022N	NOV 01/03	01.1
*1020A	NOV 01/03	01.1	*1022O	NOV 01/03	01.1
*1020B	NOV 01/03	01.1	*1022P	NOV 01/03	01.1
*1020C	NOV 01/03	01.1	*1022Q	NOV 01/03	01.1
*1020D	NOV 01/03	01.1	*1022R	NOV 01/03	01.1
*1020E	NOV 01/03	01.1	*1022S	NOV 01/03	01.1
*1020F	NOV 01/03	01.1	*1022T	NOV 01/03	01.1
*1020G	NOV 01/03	01.1	*1022U	NOV 01/03	01.1
*1020H	NOV 01/03	01.1	*1022V	NOV 01/03	01.1
*1020I	NOV 01/03	01.1	*1022W	NOV 01/03	01.1
*1020J	NOV 01/03	01.1	*1022X	NOV 01/03	01.1
*1020K	NOV 01/03	01.1	*1022Y	NOV 01/03	01.1
*1020L	NOV 01/03	01.1	*1022Z	NOV 01/03	01.1
*1020M	NOV 01/03	01.1	*1023	NOV 01/03	01.1
*1020N	NOV 01/03	01.1	*1024	NOV 01/03	01.1
*1020O	NOV 01/03	01.1	*1024A	NOV 01/03	01.1
*1020P	NOV 01/03	01.1	*1024B	NOV 01/03	01.1
*1020Q	NOV 01/03	01.1	*1024C	NOV 01/03	01.1
*1020R	NOV 01/03	01.1	*1024D	NOV 01/03	01.1

* = REVISED, ADDED OR DELETED

78-31-41

EFFECTIVE PAGES
 CONTINUED Page 4
 01 Nov 01/03



BOEING
COMPONENT
MAINTENANCE MANUAL

PAGE	DATE	CODE		PAGE	DATE	CODE	
ILLUSTRATED	PARTS LIST		CONT.	ILLUSTRATED	PARTS LIST		CONT.
*1024E	NOV 01/03	01.1		*1026S	NOV 01/03	01.1	
*1024F	NOV 01/03	01.1		*1026T	NOV 01/03	01.1	
*1024G	NOV 01/03	01.1		*1026U	NOV 01/03	01.1	
*1024H	NOV 01/03	01.1		*1026V	NOV 01/03	01.1	
*1024I	NOV 01/03	01.1		*1026W	NOV 01/03	01.1	
*1024J	NOV 01/03	01.1		*1026X	NOV 01/03	01.1	
*1024K	NOV 01/03	01.1		*1026Y	NOV 01/03	01.1	
*1024L	NOV 01/03	01.1		*1026Z	NOV 01/03	01.1	
*1024M	NOV 01/03	01.1		*1027	NOV 01/03	01.1	
*1024N	NOV 01/03	01.1		*1028	NOV 01/03	01.1	
*1024O	NOV 01/03	01.1		*1028A	NOV 01/03	01.1	
*1024P	NOV 01/03	01.1		*1028B	NOV 01/03	01.1	
*1024Q	NOV 01/03	01.1		*1028C	NOV 01/03	01.1	
*1024R	NOV 01/03	01.1		*1028D	NOV 01/03	01.1	
*1024S	NOV 01/03	01.1		*1028E	NOV 01/03	01.1	
*1024T	NOV 01/03	01.1		*1028F	NOV 01/03	01.1	
*1024U	NOV 01/03	01.1		*1028G	NOV 01/03	01.1	
*1024V	NOV 01/03	01.1		*1028H	NOV 01/03	01.1	
*1024W	NOV 01/03	01.1		*1028I	NOV 01/03	01.1	
*1024X	NOV 01/03	01.1		*1028J	NOV 01/03	01.1	
*1024Y	NOV 01/03	01.1		*1028K	NOV 01/03	01.1	
*1024Z	NOV 01/03	01.1		*1028L	NOV 01/03	01.1	
*1025	NOV 01/03	01.1		*1028M	NOV 01/03	01.1	
*1026	NOV 01/03	01.1		*1028N	NOV 01/03	01.1	
*1026A	NOV 01/03	01.1		*1028O	NOV 01/03	01.1	
*1026B	NOV 01/03	01.1		*1028P	NOV 01/03	01.1	
*1026C	NOV 01/03	01.1		*1028Q	NOV 01/03	01.1	
*1026D	NOV 01/03	01.1		*1028R	NOV 01/03	01.1	
*1026E	NOV 01/03	01.1		*1028S	NOV 01/03	01.1	
*1026F	NOV 01/03	01.1		*1028T	NOV 01/03	01.1	
*1026G	NOV 01/03	01.1		*1028U	NOV 01/03	01.1	
*1026H	NOV 01/03	01.1		*1028V	NOV 01/03	01.1	
*1026I	NOV 01/03	01.1		*1028W	NOV 01/03	01.1	
*1026J	NOV 01/03	01.1		*1028X	NOV 01/03	01.1	
*1026K	NOV 01/03	01.1		*1028Y	NOV 01/03	01.1	
*1026L	NOV 01/03	01.1		*1028Z	NOV 01/03	01.1	
*1026M	NOV 01/03	01.1		*1029	NOV 01/03	01.1	
*1026N	NOV 01/03	01.1		*1030	NOV 01/03	01.1	
*1026O	NOV 01/03	01.1		*1030A	NOV 01/03	01.1	
*1026P	NOV 01/03	01.1		*1030B	NOV 01/03	01.1	
*1026Q	NOV 01/03	01.1		*1030C	NOV 01/03	01.1	
*1026R	NOV 01/03	01.1		*1030D	NOV 01/03	01.1	

* = REVISED, ADDED OR DELETED

78-31-41

EFFECTIVE PAGES
CONTINUED Page 5
01 Nov 01/03

PAGE	DATE	CODE	PAGE	DATE	CODE
ILLUSTRATED PARTS LIST		CONT.	ILLUSTRATED PARTS LIST		CONT.
*1030E	NOV 01/03	01.1	*1032S	NOV 01/03	01.1
*1030F	NOV 01/03	01.1	*1032T	NOV 01/03	01.1
*1030G	NOV 01/03	01.1	*1032U	NOV 01/03	01.1
*1030H	NOV 01/03	01.1	*1032V	NOV 01/03	01.1
*1030I	NOV 01/03	01.1	*1032W	NOV 01/03	01.1
*1030J	NOV 01/03	01.1	*1032X	NOV 01/03	01.1
*1030K	NOV 01/03	01.1	*1032Y	NOV 01/03	01.1
*1030L	NOV 01/03	01.1	*1032Z	NOV 01/03	01.1
*1030M	NOV 01/03	01.1	*1033	NOV 01/03	01.1
*1030N	NOV 01/03	01.1	*1034	NOV 01/03	01.1
*1030O	NOV 01/03	01.1	*1034A	NOV 01/03	01.1
*1030P	NOV 01/03	01.1	*1034B	NOV 01/03	01.1
*1030Q	NOV 01/03	01.1	*1034C	NOV 01/03	01.1
*1030R	NOV 01/03	01.1	*1034D	NOV 01/03	01.1
*1030S	NOV 01/03	01.1	*1034E	NOV 01/03	01.1
*1030T	NOV 01/03	01.1	*1034F	NOV 01/03	01.1
*1030U	NOV 01/03	01.1	*1034G	NOV 01/03	01.1
*1030V	NOV 01/03	01.1	*1034H	NOV 01/03	01.1
*1030W	NOV 01/03	01.1	*1034I	NOV 01/03	01.1
*1030X	NOV 01/03	01.1	*1034J	NOV 01/03	01.1
*1030Y	NOV 01/03	01.1	*1034K	NOV 01/03	01.1
*1030Z	NOV 01/03	01.1	*1034L	NOV 01/03	01.1
*1031	NOV 01/03	01.1	*1034M	NOV 01/03	01.1
*1032	NOV 01/03	01.1	*1034N	NOV 01/03	01.1
*1032A	BLANK		*1034O	NOV 01/03	01.1
*1032B	NOV 01/03	01.101	*1034P	NOV 01/03	01.1
*1032C	NOV 01/03	01.1	*1034Q	NOV 01/03	01.1
*1032D	BLANK		*1034R	NOV 01/03	01.1
*1032E	NOV 01/03	01.1	*1034S	NOV 01/03	01.1
*1032F	NOV 01/03	01.1	*1034T	NOV 01/03	01.1
*1032G	NOV 01/03	01.1	*1034U	NOV 01/03	01.1
*1032H	NOV 01/03	01.1	*1034V	NOV 01/03	01.1
*1032I	NOV 01/03	01.1	*1034W	NOV 01/03	01.1
*1032J	NOV 01/03	01.101	*1034X	NOV 01/03	01.1
*1032K	NOV 01/03	01.1	*1034Y	NOV 01/03	01.1
*1032L	NOV 01/03	01.1	*1034Z	NOV 01/03	01.1
*1032M	NOV 01/03	01.1	*1035	NOV 01/03	01.1
*1032N	NOV 01/03	01.1	*1036	NOV 01/03	01.1
*1032O	NOV 01/03	01.1	*1036A	NOV 01/03	01.1
*1032P	NOV 01/03	01.1	*1036B	NOV 01/03	01.1
*1032Q	NOV 01/03	01.1	*1036C	NOV 01/03	01.1
*1032R	NOV 01/03	01.1	*1036D	NOV 01/03	01.1

* = REVISED, ADDED OR DELETED

78-31-41

EFFECTIVE PAGES
 CONTINUED Page 6
 01 Nov 01/03



BOEING
COMPONENT
MAINTENANCE MANUAL

PAGE	DATE	CODE	PAGE	DATE	CODE
ILLUSTRATED	PARTS LIST	CONT.	ILLUSTRATED	PARTS LIST	CONT.
*1036E	NOV 01/03	01.1	*1038S	NOV 01/03	01.1
*1036F	NOV 01/03	01.1	*1038T	NOV 01/03	01.1
*1036G	NOV 01/03	01.1	*1038U	NOV 01/03	01.1
*1036H	NOV 01/03	01.101	*1038V	NOV 01/03	01.1
*1036I	NOV 01/03	01.1	*1038W	NOV 01/03	01.1
*1036J	NOV 01/03	01.101	*1038X	NOV 01/03	01.1
*1036K	NOV 01/03	01.101	*1038Y	NOV 01/03	01.1
*1036L	NOV 01/03	01.101	*1038Z	BLANK	
*1036M	NOV 01/03	01.1	*1039	NOV 01/03	01.101
*1036N	NOV 01/03	01.1	*1040	NOV 01/03	01.1
*1036O	NOV 01/03	01.1	*1040A	NOV 01/03	01.1
*1036P	NOV 01/03	01.1	*1040B	NOV 01/03	01.1
*1036Q	NOV 01/03	01.1	*1040C	NOV 01/03	01.1
*1036R	NOV 01/03	01.1	*1040D	NOV 01/03	01.1
*1036S	NOV 01/03	01.1	*1040E	NOV 01/03	01.1
*1036T	NOV 01/03	01.1	*1040F	NOV 01/03	01.1
*1036U	NOV 01/03	01.1	*1040G	NOV 01/03	01.1
*1036V	NOV 01/03	01.1	*1040H	NOV 01/03	01.1
*1036W	NOV 01/03	01.1	*1040I	NOV 01/03	01.1
*1036X	NOV 01/03	01.1	*1040J	NOV 01/03	01.1
*1036Y	NOV 01/03	01.1	*1040K	NOV 01/03	01.1
*1036Z	NOV 01/03	01.1	*1040L	NOV 01/03	01.1
*1037	NOV 01/03	01.1	*1040M	NOV 01/03	01.1
*1038	NOV 01/03	01.1	*1040N	NOV 01/03	01.1
*1038A	NOV 01/03	01.1	*1040O	NOV 01/03	01.1
*1038B	NOV 01/03	01.1	*1040P	NOV 01/03	01.1
*1038C	NOV 01/03	01.1	*1040Q	NOV 01/03	01.1
*1038D	NOV 01/03	01.1	*1040R	NOV 01/03	01.1
*1038E	NOV 01/03	01.1	*1040S	BLANK	
*1038F	NOV 01/03	01.1	*1040T	NOV 01/03	01.101
*1038G	NOV 01/03	01.1	*1040U	NOV 01/03	01.101
*1038H	NOV 01/03	01.1	*1040V	NOV 01/03	01.101
*1038I	NOV 01/03	01.1	*1040W	NOV 01/03	01.101
*1038J	NOV 01/03	01.1	*1040X	NOV 01/03	01.101
*1038K	NOV 01/03	01.1	*1040Y	NOV 01/03	01.1
*1038L	NOV 01/03	01.1	*1040Z	NOV 01/03	01.1
*1038M	NOV 01/03	01.1	*1041	NOV 01/03	01.1
*1038N	NOV 01/03	01.1	*1042	NOV 01/03	01.1
*1038O	NOV 01/03	01.1	*1042A	NOV 01/03	01.1
*1038P	NOV 01/03	01.1	*1042B	NOV 01/03	01.1
*1038Q	NOV 01/03	01.1	*1042C	NOV 01/03	01.1
*1038R	NOV 01/03	01.1	*1042D	NOV 01/03	01.1

* = REVISED, ADDED OR DELETED

78-31-41

EFFECTIVE PAGES
CONTINUED Page 7
01 Nov 01/03

PAGE	DATE	CODE	PAGE	DATE	CODE
ILLUSTRATED	PARTS LIST	CONT.	ILLUSTRATED	PARTS LIST	CONT.
*1042E	NOV 01/03	01.1	*1044S	NOV 01/03	01.1
*1042F	NOV 01/03	01.1	*1044T	BLANK	
*1042G	NOV 01/03	01.1	*1044U	NOV 01/03	01.1
*1042H	NOV 01/03	01.1	*1044V	NOV 01/03	01.1
*1042I	NOV 01/03	01.1	*1044W	NOV 01/03	01.1
*1042J	NOV 01/03	01.1	*1044X	NOV 01/03	01.1
*1042K	NOV 01/03	01.1	*1044Y	NOV 01/03	01.1
*1042L	NOV 01/03	01.1	*1044Z	NOV 01/03	01.1
*1042M	NOV 01/03	01.1	*1045	NOV 01/03	01.1
*1042N	NOV 01/03	01.1	*1046	NOV 01/03	01.1
*1042O	NOV 01/03	01.1	*1046A	NOV 01/03	01.1
*1042P	NOV 01/03	01.1	*1046B	NOV 01/03	01.1
*1042Q	NOV 01/03	01.1	*1046C	NOV 01/03	01.1
*1042R	NOV 01/03	01.1	*1046D	NOV 01/03	01.1
*1042S	NOV 01/03	01.1	*1046E	NOV 01/03	01.1
*1042T	NOV 01/03	01.1	*1046F	NOV 01/03	01.1
*1042U	NOV 01/03	01.1	*1046G	NOV 01/03	01.1
*1042V	NOV 01/03	01.1	*1046H	NOV 01/03	01.1
*1042W	NOV 01/03	01.1	*1046I	NOV 01/03	01.1
*1042X	BLANK		*1046J	NOV 01/03	01.1
*1042Y	NOV 01/03	01.1	*1046K	NOV 01/03	01.1
*1042Z	NOV 01/03	01.1	*1046L	NOV 01/03	01.1
*1043	NOV 01/03	01.1	*1046M	NOV 01/03	01.1
*1044	NOV 01/03	01.1	*1046N	NOV 01/03	01.1
*1044A	NOV 01/03	01.1	*1046O	NOV 01/03	01.1
*1044B	NOV 01/03	01.1	*1046P	NOV 01/03	01.1
*1044C	NOV 01/03	01.1	*1046Q	NOV 01/03	01.1
*1044D	NOV 01/03	01.1	*1046R	NOV 01/03	01.1
*1044E	NOV 01/03	01.1	*1046S	NOV 01/03	01.1
*1044F	NOV 01/03	01.1	*1046T	NOV 01/03	01.1
*1044G	NOV 01/03	01.1	*1046U	NOV 01/03	01.1
*1044H	NOV 01/03	01.1	*1046V	BLANK	
*1044I	NOV 01/03	01.1	*1046W	NOV 01/03	01.1
*1044J	NOV 01/03	01.1	*1046X	NOV 01/03	01.1
*1044K	NOV 01/03	01.1	*1046Y	NOV 01/03	01.1
*1044L	NOV 01/03	01.1	*1046Z	NOV 01/03	01.1
*1044M	NOV 01/03	01.1	*1047	NOV 01/03	01.1
*1044N	BLANK		*1048	NOV 01/03	01.1
*1044O	NOV 01/03	01.1	*1048A	NOV 01/03	01.1
*1044P	NOV 01/03	01.1	*1048B	NOV 01/03	01.1
*1044Q	NOV 01/03	01.1	*1048C	NOV 01/03	01.1
*1044R	NOV 01/03	01.1	*1048D	NOV 01/03	01.1

* = REVISED, ADDED OR DELETED

78-31-41

EFFECTIVE PAGES
 CONTINUED Page 8
 01 Nov 01/03

PAGE	DATE	CODE	PAGE	DATE	CODE
ILLUSTRATED PARTS LIST		CONT.			
*1048E	NOV 01/03	01.1			
*1048F	NOV 01/03	01.1			
*1048G	NOV 01/03	01.1			
*1048H	NOV 01/03	01.1			
*1048I	NOV 01/03	01.1			
*1048J	NOV 01/03	01.1			
*1048K	NOV 01/03	01.1			
*1048L	NOV 01/03	01.1			
*1048M	NOV 01/03	01.1			
*1048N	NOV 01/03	01.1			
*1048O	NOV 01/03	01.1			
*1048P	NOV 01/03	01.1			
*1048Q	NOV 01/03	01.1			
*1048R	NOV 01/03	01.1			
*1048S	BLANK				
*1048T	NOV 01/03	01.1			
*1048U	NOV 01/03	01.1			
*1048V	NOV 01/03	01.1			
*1048W	NOV 01/03	01.1			
*1048X	NOV 01/03	01.1			
*1048Y	NOV 01/03	01.1			
*1048Z	NOV 01/03	01.1			
*1049	NOV 01/03	01.1			
*1050	NOV 01/03	01.1			

* = REVISED, ADDED OR DELETED

78-31-41

EFFECTIVE PAGES
LAST PAGE Page 9
01 Nov 01/03

TABLE OF CONTENTS

<u>Paragraph Title</u>	<u>Page</u>
Description and Operation	1
Testing and Trouble Shooting.	101
Disassembly.	301
Cleaning (not applicable)	
Check.	501
Repair	601
Assembly	701
Fits and Clearances.	801
Special Tools, Fixtures, and Equipment	901
Illustrated Parts List	1001

INTRODUCTION

The instructions in this manual provide the information necessary to perform maintenance functions ranging from simple checks and replacement to complete shop-type repair.

This manual is divided into separate sections:

- | | |
|---|------------------------------|
| 1. Title Page | 4. List of Effective Pages |
| 2. Record of Revisions | 5. Table of Contents |
| 3. Temporary Revisions &
Service Bulletin Record | 6. Introduction |
| | 7. Procedures & IPL Sections |

Refer to the Table of Contents for the page location of applicable sections. An asterisked flagnote *[] in place of the page number indicates that no special instructions are provided since the function can be performed using standard industry practices.

The beginning of the REPAIR section includes a list of the separate repairs, a list of applicable standard Boeing practices, and an explanation of the True Position Dimensioning symbols used.

An explanation of the use of the Illustrated Parts List is provided in the Introduction to that section.

All weights and measurements used in the manual are in English units, unless otherwise stated. When metric equivalents are given they will be in parentheses following the English units.

Design changes, optional parts, configuration differences and Service Bulletin modifications create alternate part numbers. These are identified in the Illustrated Parts List (IPL) by adding an alphabetical character to the basic item number. The resulting item number is called an alpha-variant. Throughout the manual, IPL basic item number references also apply to alpha-variants unless otherwise indicated.

Verification:

Testing/Trouble Shooting
Disassembly
Assembly

78-31-41

INTRODUCTION

01.1

Page 1

Sep 01/95

FAN DUCT COWL AND THRUST REVERSER ASSEMBLY

DESCRIPTION AND OPERATION

1. Description

A. The fan duct cowl and thrust reverser assembly consists of the following components: cascade vanes, actuation system, supporting stationary structure, translating sleeve, and blocker doors with linkages. The assembly is constructed in two halves and may be installed without interfering with basic engine installation. A hinge point on the strut assures quick engine access or removal. Hold-open rods support the cowl in the open position of approximately 45 degrees. A vee-band latch secures the cowl in the closed position.

2. Operation

A. During operation, six mechanically synchronized and internally snubbed hydraulic actuators translate the thrust reverser sleeve approximately 22 inches in the aft direction. Sensors indicate unlock of the sleeve from the stowed position. The relative motion between the sleeve and the fixed structure causes the twelve blocker doors to rotate and redirect the normal flow of fan air through the cascade vanes to provide reverse thrust. In the event the thrust reverser is inadvertently deployed or stowed, a feedback mechanism drives the throttle to idle. Following the deployment cycle, two of the actuators lock the thrust reverser in the stowed position.

3. Leading Particulars (Approximate)

Length -- 67 inches
Diameter -- 109 inches
Weight -- 735 pounds

78-31-41

DESCRIPTION & OPERATION

01.1

Page 1

Sep 01/95

TESTING AND TROUBLE SHOOTING

1. Equipment

NOTE: Equivalent substitutes may be used.

- A. Hydraulic Service Cart -- Capable of supplying BMS 3-11, type 4, hydraulic fluid at 0-3000 psi filtered to 15 microns absolute.

2. Preparation for Manual Extension Test

- A. Ensure that deactivation pin (332, IPL Fig. 1) is not installed at the clevis end of the locking actuator (260A, IPL Fig. 3). Pin is normally stored in the same switchbox which contains the cowl open/close switches.
- B. Release lock on locking actuator (260A, IPL Fig. 3) by pushing lock lever in the aft direction and engaging trip lever.

3. Manual Extension Test

- A. Manually crank flex cable at lower non-locking actuator (255, IPL Fig. 3) and extend the thrust reverser sleeve to the fully deployed position. Verify that the sleeve moves smoothly for the entire extension with no evidence of binding.
- B. Manually crank the flex cable to retract the thrust reverser sleeve. Verify that the sleeve slides smoothly with no evidence of binding.

NOTE: The actuator will ratchet before the thrust reverser sleeve is brought to the fully stowed position. This condition is normal.

4. Preparation for Hydraulic Test

- A. Make hydraulic supply connections to directional and flow control valves and to thrust reverser at EXTEND connector (200, IPL Fig. 3) and RETRACT connector (205, IPL Fig. 3).

78-31-41

- B. Ensure that all hydraulic hoses, connectors, and tubing clamps are tightened.
- C. Check that the thrust reverser sleeve has been manually retracted to the stowed position to the point at which the actuator mechanism ratchets.
- D. Check that the deactivation pin (332, IPL Fig. 1) is not installed at the clevis end of the locking actuator (260A, IPL Fig. 3).

5. Reduced Hydraulic Pressure Test

CAUTION: CHECK ENTIRE ASSEMBLY TO ENSURE THAT THERE ARE NO OBSTRUCTIONS WHICH MAY PREVENT MOVEMENT OF THE THRUST REVERSER SLEEVE.

- A. Adjust hydraulic supply pressure to 1800 psi and activate directional control valve to fully retract the thrust reverser sleeve to the stowed position.
- B. Activate the directional control valve to deploy the thrust reverser sleeve.
- C. Verify that the thrust reverser sleeve extends to the fully deployed position with no evidence of binding.
- D. Activate the directional control valve to return the sleeve to the fully stowed position.

6. Full Hydraulic Pressure Test

CAUTION: CHECK ENTIRE ASSEMBLY TO ENSURE THAT THERE ARE NO OBSTRUCTIONS WHICH MAY PREVENT MOVEMENT OF THE THRUST REVERSER SLEEVE.

- A. Increase hydraulic supply pressure to 3000 psi.

- B. Operate the directional control valve to extend the thrust reverser sleeve to the fully deployed position and then back to the fully stowed position. Repeat this sequence for 10 cycles. The thrust reverser sleeve shall operate smoothly and without binding. No hydraulic fluid leaks shall be evident.

7. Electrical Test

- A. Check continuity of wire bundles (IPL Fig. 1; 638, 641, 644, 647) (IPL Fig. 12; 41, 43) (IPL Fig. 13; 100, 105) per Wiring Diagram Manual.

78-31-41

TESTING & TROUBLE SHOOTING
01.1 Page 103
Nov 01/03

DISASSEMBLY

1. Disassembly

NOTE: Disassemble this component only to the extent required for repair or replacement of subassemblies.

A. Opening Actuator Tubing Installation (IPL Fig. 4)

- (1) Remove nuts (80, 85), sleeve (75), washer (90), and union (55). Disconnect hose assembly (35, 40) from upper end of tube assemblies (45, 50).
- (2) Remove nut (80), elbow (70), packing (65), union (60) and tube assemblies (45, 50) from manifold assembly (110).
- (3) Remove tube assemblies (45, 50) by removing clamps (25), clampshells (30), nuts (20), washers (15), and screws (10).
- (4) Remove manifold assembly (110) by removing nuts (105), washers (100), and bolts (95).

B. Actuator and Tubing Installation

- (1) Disconnect wire bundles (IPL Fig. 1; 638, 641, 644, 647) (IPL Fig. 12; 41, 43) (IPL Fig. 13; 100, 105) from switch installations and from sensors (215, 218, IPL Fig. 1). If necessary, remove wire bundle.
- (2) Loosen tube nuts at ends of flex tubing (IPL Fig. 3; 175, 180) (IPL Fig. 10; 195, 200) and tube assemblies (IPL Fig. 3; 135, 140, 145, 150, 155) (IPL Fig. 10; 150, 155, 160, 165, 170).
- (3) Remove bolts (IPL Fig. 3; 20, 22, 25) (IPL Fig. 10; 10), nuts (IPL Fig. 3; 50, 55) (IPL Fig. 10; 20, 25), and washers (IPL Fig. 3; 30, 32, 35) (IPL Fig. 10; 15).
- (4) Remove the channels (IPL Fig. 3; 60, 75, 80, 85, 105, 107, 108, 120, 122, 123) (IPL Fig. 10; 40, 45, 60, 65, 70, 85, 90, 105, 110), fairleads (IPL Fig. 3; 65, 73, 95, 110, 112, 113, 125, 127, 128) (IPL Fig. 10; 50, 55, 75, 80, 95, 100, 110, 115), shims (IPL Fig. 3; 70, 72A, 115, 130) (IPL Fig. 10; 125) and spacers (IPL Fig. 3; 40, 45) (IPL Fig. 10; 30, 35).
- (5) Remove tube assemblies (IPL Fig. 3; 135, 140, 145, 150, 155) (IPL Fig. 10; 150, 155, 160, 165, 170), flex tubing (IPL Fig. 3; 180) (IPL Fig. 10; 200), and flex shaft (IPL Fig. 3; 175) (IPL Fig. 10; 195).
- (6) Remove fitting (IPL Fig. 3; 170) (IPL Fig. 10; 190).

78-31-41

DISASSEMBLY

01.1

Page 301

Nov 01/03

- (7) Remove hose assemblies (IPL Fig. 3; 200, 205) (IPL Fig. 10; 220, 225).
- (8) Remove union (IPL Fig. 3; 185) (IPL Fig. 10; 205) by removing items (IPL Fig. 3; 190A, 195) (IPL Fig. 10; 210, 215).
- (9) Remove manual drive adapter (IPL Fig. 3; 220) or lock assembly (IPL Fig. 3; 222R) (IPL Fig. 10; 250), clamp (IPL Fig. 3; 220J) (IPL Fig. 10; 255), fasteners (IPL Fig. 3; 221H, 221R) (IPL Fig. 10; 240, 245) and bracket IPL Fig. 3; 222) (IPL Fig. 10; 265).
- (10) Remove bolts (IPL Fig.3; 270) (IPL Fig. 10; 320), washers (IPL Fig. 3; 275) (IPL Fig. 10; 325), nuts (IPL Fig. 3; 285) (IPL Fig. 10; 330), 285), and cotter pins IPL Fig. 3; 265) (IPL Fig. 10; 315) at actuator attach fittings.

NOTE: Do not remove bushing (IPL Fig. 3; 280) (IPL Fig. 10; 335) unless repair or replacement is necessary.

- (11) Remove bolts (IPL Fig. 3; 235A) (IPL Fig. 10; 275), fitting assemblies (IPL Fig. 3; 223, 225, 230) (IPL Fig, 10; 280), and shims (IPL Fig. 3; 250) (IPL Fig. 10; 310) at actuator gimbal attach points.
- (12) Remove actuators (IPL Fig. 3; 255, 260A) (IPL Fig. 10; 345, 350). Retain cap assembly (IPL Fig. 3; 210, 215) (IPL Fig. 10; 230, 235).
- (13) If necessary, remove sensors (IPL Fig. 1; 215 218) from actuator by removing nuts (IPL Fig. 1; 200), and washer (IPL Fig. 1; 206A).

C. Hold-Open Rod

- (1) Remove retainer (IPL Fig. 1; 356) (IPL Fig. 14; 35), nut (IPL Fig. 1; 353) (IPL Fig. 14; 30), bolt (IPL Fig. 1; 344) (IPL Fig. 14; 10), bushings (IPL Fig. 1; 347, 350), (IPL Fig. 14; 20, 25), washer (IPL Fig. 14; 15) and remove hold-open rod (IPL Fig. 1; 371) (IPL Fig. 14; 55).
- (2) If reworked hold-open rod (IPL Fig. 1; 371B) (IPL Fig. 2; 1) is installed, remove bolts (IPL Fig. 2; 5), nuts (IPL Fig. 2; 10), clamps (IPL Fig. 2; 15, 40), lockpin (IPL Fig. 2; 20), and pin retainer (IPL Fig. 2; 25).

78-31-41

DISASSEMBLY

01.1

Page 302

Nov 01/03

D. Latch Band Assy

- (1) Remove bolts (IPL Fig. 1; 378J, 392) (IPL Fig. 8; 55) (IPL Fig. 11; 45), washers (IPL Fig. 1; 378M, 395) (IPL Fig. 8; 60) (IPL Fig. 11; 50) and retainers (IPL Fig. 1; 378R, 398) (IPL Fig. 8; 65, 67) (IPL Fig. 11; 55)

E. Fan Duct Cowl and Thrust Reverser Sleeve (IPL Fig. 1 unless noted)

- (1) Remove sleeve assembly (464, 467) from fan duct cowl (470B thru 479W).
- (2) Remove sensor (215) by removing washers (224), and screws (221).
- (3) Remove conduit (251) and clamps (248) by removing nuts (245), washers (239, 242), bolts (236).
- (4) Target (275) may be removed by removing nuts (272), washers (266, 269), and bolts (263).
- (5) Remove stops (308, 311, 314) from sleeve assembly (464, 467) by removing bolts (305, 317).
- (6) Remove ground maintenance deactivation pin assembly (530A) from bracket assembly (494, 497). Streamer assembly (542A) may be removed if necessary by removing items (545 thru 554).
- (7) Disassemble deactivation pin stowage bracket assembly (494, 497), if required, by removing bolts (503, 515), collars (506, 518), retainer assembly (500), and channels (521, 524).
- (8) Remove upper fairing assembly (107, 110) by removing bolts (131, 134A).
- (9) Remove lower fairing assembly (20, 23) by removing bolts (26, 29).

78-31-41

DISASSEMBLY

01.1

Page 303

Nov 01/03

CHECK

1. Check all parts for obvious defects in accordance with standard industry practices.
2. Perform a penetrant check on the following parts per 20-20-02.
 - A. Bumper (IPL Fig. 1; 326, 329)
 - B. Retainer (IPL Fig. 1; 378R, 398) (IPL Fig. 8; 65, 67) (IPL Fig. 11; 55)
 - C. Pin (IPL Fig. 1; 434)
 - D. Fitting (IPL Fig. 1; 461)
 - E. Pin (IPL Fig. 1; 572)
 - F. Channel (IPL Fig. 10; 365)
 - G. Angle (IPL Fig. 10; 370)
3. Perform a magnetic particle inspection on the following parts per (20-20-01, Class B)
 - A. Pin (IPL Fig. 1; 332)
 - B. Washer (IPL Fig. 1; 440)
 - C. Fitting assembly (IPL Fig. 3; 223, 230) (IPL Fig. 10; 280, 285, 290)
 - D. Retainer (IPL Fig. 4; 300)
4. Perform a magnetic particle inspection as shown in (SOPM 20-20-01, Class A)
 - A. Fitting (IPL Fig. 1; 379N, 416) (IPL Fig. 8; 175) (IPL Fig. 11; 130)
5. Visual Check
 - A. Check honeycomb and bonded parts for evidence of delamination, internal moisture, scratches, and contour defects.
 - (1) Examine edges of panel carefully for cuts and abrasions. Damage to an edge member of a honeycomb panel easily causes delamination.

78-31-41

CHECK

01.1

Page 501

Nov 01/03

- (2) Examine areas suspected of containing moisture radiographically to determine extent of damage.
- B. Refer to appropriate Structural Repair Manual, Chapter 54, for allowable damage data.

78-31-41

CHECK
01.1 Page 502
Sep 01/95

REPAIR – GENERAL

NOTE: Refer to Structural Repair Manual, Chapter 54, for repair of structural components.

1. Contents

<u>P/N</u>	<u>NAME</u>	<u>REPAIR</u>
315T1604	DEACTIVATION PIN	1-1
315T3102	HINGE FITTING ASSY	2-1
315T3529 315T4531-1,-2,-9,-10	LOWER TRACK FAIRING	3-1
315T3530 315T4531-5,-6,-11,-12	UPPER TRACK FAIRING	4-1
315T4529 315T4530 315T4531-3,-4,-7,-8	FAIRING	5-1
315T3539 BACB30NR4DK21	DRAG LINK PIN	6-1
--	MISCELLANEOUS PARTS REFINISH	7-1

2. Standard Practices

A. Refer to the following standard practices, as applicable, for details of procedures in each individual repair.

- BAC 5845 Application of Polyurethane Enamel
- 20-10-03 Shot Peening
- 20-10-06 Repair of Conductive Coatings
- 20-11-03 Repair of Electrical Terminations and Electrical Bonding Areas
- 20-20-01 Magnetic Particle Inspection
- 20-20-02 Penetrant Methods of Inspection
- 20-30-03 General Cleaning Procedures
- 20-41-01 Decoding Table for Boeing Finish Codes
- 20-41-02 Application of Chemical and Solvent Resistant Finishes
- 20-44-01 Application of Special Purpose Coatings
- 20-50-02 Installation of Safetying Devices
- 20-50-03 Bearing and Bushing Replacement

3. Materials

NOTE: Equivalent substitutes may be used.

- A. Conductive Coating -- BMS 10-21, Type 3 (Ref 20-60-02)

78-31-41

REPAIR-GENERAL

01.1

Page 601

Nov 01/03

B. Enamel -- BMS 10-60, Type 2 (Ref 20-60-02)

C. Enamel -- BMS 10-86, Type 1 (Ref 20-60-02)

D. Primer -- BMS 10-11, Type 1 (Ref 20-60-02)

| E. Primer -- BMS 10-79, Type 2 (Ref 20-60-02)

| F. Primer -- BMS 10-79, Type 3 (Ref 20-60-02)

| G. Sealant -- BMS 5-26 (Ref 20-60-04)

4. Dimensioning Symbols

A. Standard True Position Dimensioning Symbols used in applicable repair procedures are shown in Fig. 601.

78-31-41

REPAIR-GENERAL

01.1

Page 602

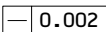
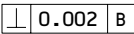
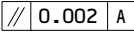
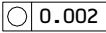
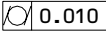
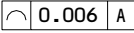
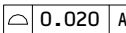
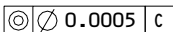
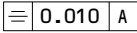
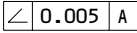
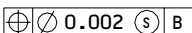
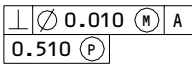
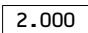
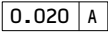
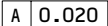
Nov 01/03

BOEING
COMPONENT
MAINTENANCE MANUAL

- STRAIGHTNESS
- ▭ FLATNESS
- ⊥ PERPENDICULARITY (OR SQUARENESS)
- // PARALLELISM
- ROUNDNESS
- ⊙ CYLINDRICITY
- ⌒ PROFILE OF A LINE
- △ PROFILE OF A SURFACE
- ◎ CONCENTRICITY
- ≡ SYMMETRY
- ∠ ANGULARITY
- ↗ RUNOUT
- ↗ TOTAL RUNOUT
- ⊏ COUNTERBORE OR SPOTFACE
- ∇ COUNTERSINK

- ⊕ THEORETICAL EXACT POSITION OF A FEATURE (TRUE POSITION)
- ∅ DIAMETER
- S ∅ SPHERICAL DIAMETER
- R RADIUS
- SR SPHERICAL RADIUS
- () REFERENCE
- BASIC (BSC) OR DIM A THEORETICALLY EXACT DIMENSION USED TO DESCRIBE SIZE, SHAPE OR LOCATION OF A FEATURE FROM WHICH PERMISSIBLE VARIATIONS ARE ESTABLISHED BY TOLERANCES ON OTHER DIMENSIONS OR NOTES.
- A- DATUM
- Ⓜ MAXIMUM MATERIAL CONDITION (MMC)
- Ⓛ LEAST MATERIAL CONDITION (LMC)
- Ⓢ REGARDLESS OF FEATURE SIZE (RFS)
- Ⓟ PROJECTED TOLERANCE ZONE
- FIM FULL INDICATOR MOVEMENT

EXAMPLES

<p> STRAIGHT WITHIN 0.002</p> <p> PERPENDICULAR TO B WITHIN 0.002</p> <p> PARALLEL TO A WITHIN 0.002</p> <p> ROUND WITHIN 0.002</p> <p> CYLINDRICAL SURFACE MUST LIE BETWEEN TWO CONCENTRIC CYLINDERS, ONE OF WHICH HAS A RADIUS 0.010 INCH GREATER THAN THE OTHER</p> <p> EACH LINE ELEMENT OF THE SURFACE AT ANY CROSS SECTION MUST LIE BETWEEN TWO PROFILE BOUNDARIES 0.006 INCH APART RELATIVE TO DATUM PLANE A</p> <p> SURFACES MUST LIE WITHIN PARALLEL BOUNDARIES 0.02 INCH APART AND EQUALLY DISPOSED ABOUT TRUE PROFILE</p>	<p> CONCENTRIC TO C WITHIN 0.0005 DIAMETER</p> <p> SYMMETRICAL WITH A WITHIN 0.010</p> <p> ANGULAR TOLERANCE 0.005 WITH A</p> <p> LOCATED AT TRUE POSITION WITHIN 0.002 DIA RELATIVE TO DATUM B, REGARDLESS OF FEATURE SIZE</p> <p> AXIS IS TOTALLY WITHIN A CYLINDER OF 0.010-INCH DIAMETER, PERPENDICULAR TO, AND EXTENDING 0.510-INCH ABOVE, DATUM A, MAXIMUM MATERIAL CONDITION</p> <p> THEORETICALLY EXACT DIMENSION IS 2.000</p> <p style="text-align: center;">OR 2.000 BSC</p> <p> </p>
--	--

NOTE: DATUM MAY APPEAR AT EITHER SIDE OF TOLERANCE FRAME

True Position Dimensioning Symbols
Figure 601

78-31-41

REPAIR-GENERAL

01.1

Page 603

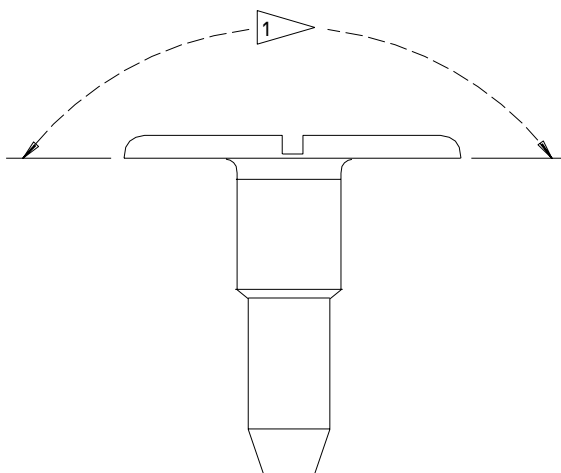
Sep 01/95

DEACTIVATION PIN – REPAIR 1-1

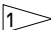
315T1604-2, -5, -6

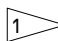
1. Plating Repair

NOTE: Repair consists of restoration of original finish. Refer to Refinish instructions Fig. 601 and to REPAIR-GEN for list of applicable standard practices.



REFINISH

PASSIVATE (F-17.09) AND 

 APPLY ONE COAT BMS 10-79, TYPE 2 PRIMER (F-19.46) FOLLOWED BY ONE COAT BMS 10-11, TYPE 2 ENAMEL (SRF-14.905-101)

MATERIAL: 15-5 PH CRES, 180-200 KSI

315T1604-2,-5,-6
Deactivation Pin Repair
Figure 601

78-31-41

REPAIR 1-1

01.1

Page 601

Nov 01/03

HINGE FITTING ASSEMBLY – REPAIR 2-1

315T3102-1, -6

NOTE: Refer to REPAIR-GEN for list of applicable standard practices.

1. Bushing Replacement (Fig. 601)

A. Remove bushings (IPL Fig. 1; 458, 459) per 20-50-03 as shown in Fig. 601.

B. Install new bushing (IPL Fig. 1; 458, 459) using shrink-fit method per 20-50-03, as shown in Fig. 601.

(1) Machine the bushing inside diameter and flange to the dimensions shown in Fig. 601.

2. Hinge Fitting Refinish

A. Refer to Fig. 601 for Refinish instructions.

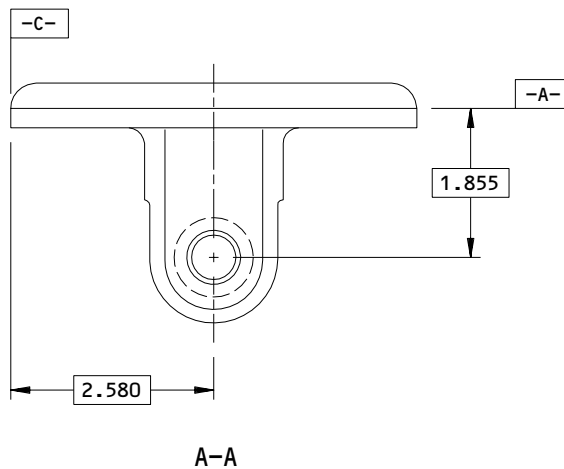
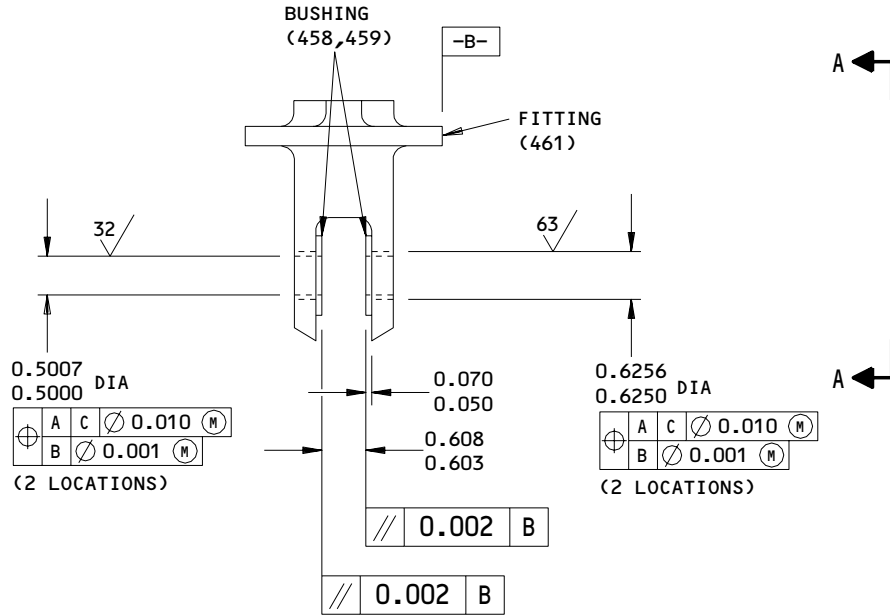
78-31-41

REPAIR 2-1

01.1

Page 601

Nov 01/03



REFINISH

FOR THE FITTING (461) CHROMIC ACID ANODIZE AND APPLY ONE COAT BMS 10-11, TYPE 1 PRIMER (F-18.13)

125/ ALL MACHINED SURFACES EXCEPT AS NOTED
 BREAK SHARP EDGES 0.02-0.04 R MAX

MATERIAL: AL ALLOY

ALL DIMENSIONS ARE IN INCHES

ITEM NUMBERS REFER TO FIG. 1

315T3102-1,-6
 Hinge Fitting Assembly Repair
 Figure 601

78-31-41

REPAIR 2-1

Page 602

Nov 01/03

01.1

LOWER FAIRING ASSEMBLY – REPAIR 3-1

315T3529-15, -24
315T4531-1, -2, -9, -10

NOTE: Refer to REPAIR – GENERAL for a list of applicable standard practices.

1. Rubstrip Replacement (IPL Fig. 1)

- A. Drill out rivet (66A, 95) and remove rubstrip (67, 98).
- B. Install rubstrip (67, 98) with rivets (66A, 95) using BMS 5-26, Class B or Class C fay surface sealant, as shown in Fig. 601.
 - (1) Install the electrical grounding fastener, indicated by flagnote 1 as shown in Fig. 601, per SOPM 20-10-06.
- C. Check the resistance of the electrical grounding fastener as shown in SOPM 20-11-03.

2. Fairing Assembly Refinish

- A. Finish for 315T3529-15, 24

NOTE: Finish is for the exterior surface only. Overspray on the interior surface is allowed.

- (1) Apply BMS 10-21, Type 3 coating (SRF-14.68).
- (2) Apply BMS 10-79, Type 2 primer (F-19.46) and apply one coat of BMS 10-60, Type 2 enamel as shown in BAC 5845.

NOTE: Do not apply primer or enamel to the hole indicated by flagnote 1 shown in Fig. 601.

- (a) Measure the resistivity of the conductive coating as shown in SOPM 20-10-06.

78-31-41

REPAIR 3-1

01.1

Page 601

Nov 01/03

B. Finish for 315T4531-1, -2, -9, -10

NOTE: Finish is for the exterior surface only.

(1) Prepare the surface (F-14.672).

NOTE: 315T4531-1, -2 use BMS 5-92, Type 3.

C. Finish the exposed surface of the rubstrip as indicated by flagnote 4 as shown in Fig. 601.

D. Finish the rubstrip surface area as indicated by flagnote 5 as shown in Fig. 601.

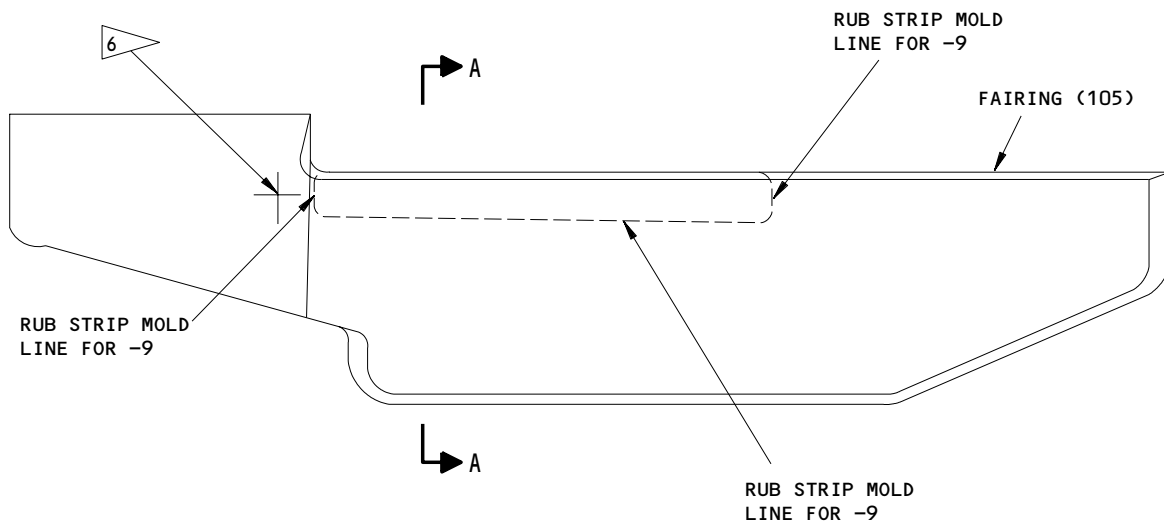
78-31-41

REPAIR 3-1

01.1

Page 602

Nov 01/03



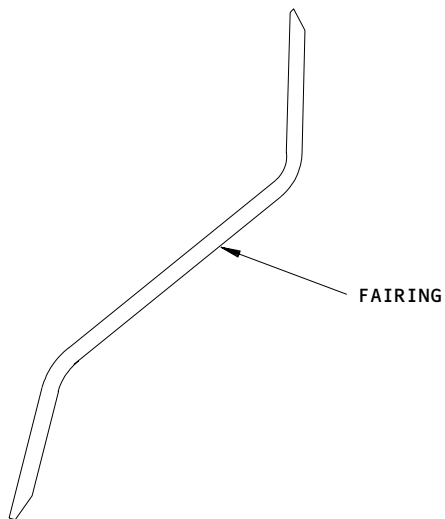
315T4531-1,-9 SHOWN
315T4531-2,-10 OPPOSITE

315T3529-15,-24
315T4531-1,-2,-9,-10
Lower Fairing Assembly Refinish
Figure 601 (Sheet 1)

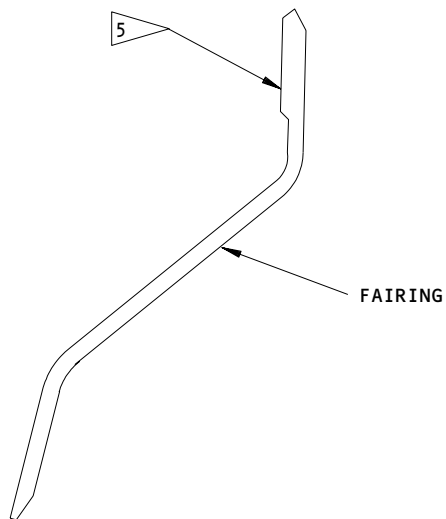
78-31-41

REPAIR 3-1
Page 603
Nov 01/03

01.1



315T4531-1
A-A



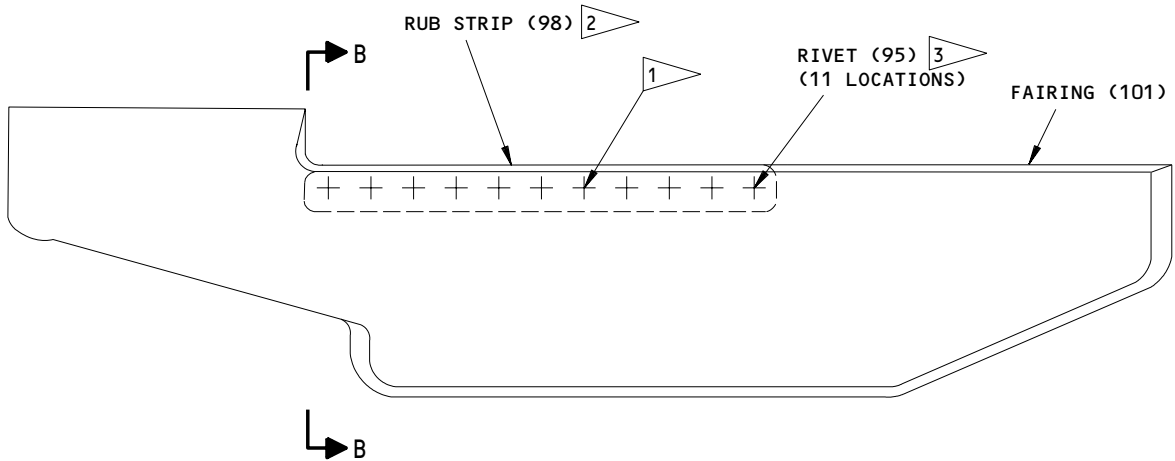
315T4531-9
A-A

315T3529-15,-24
315T4531-1,-2,-9,-10
Lower Fairing Assembly Refinish
Figure 601 (Sheet 2)

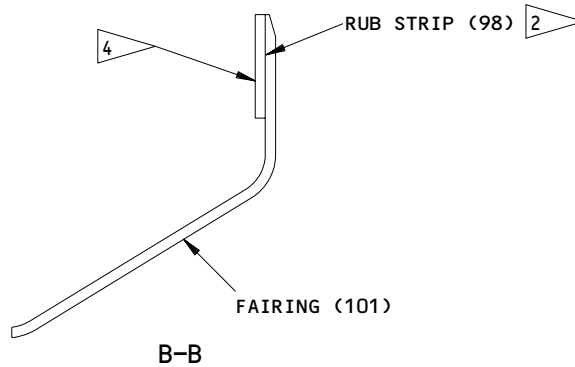
78-31-41

REPAIR 3-1
Page 604
Nov 01/03

01.1



315T3529-15 SHOWN
315T3529-24 OPPOSITE



- 1 ELECTRICAL GROUNDING FASTENER FOR 315T3529-15,-24 DO NOT APPLY PRIMER IN HOLE FOR THE FASTENER
- 2 APPLY BMS 5-26, CLASS B OR CLASS C FAY SURFACE SEAL TO RUB STRIP AND FAIRING AS SHOWN IN SOPM 20-50-19
- 3 INSTALL RIVETS FLUSH 0.00-0.01 INCH
- 4 APPLY BMS 10-86, TYPE 1 OR TYPE 2 COATING (SRF-14.9624) TO THE EXPOSED SURFACE OF THE RUBSTRIP
- 5 APPLY BMS 10-79, TYPE 2 PRIMER (F-19.46) AND BMS 10-86, TYPE 1 OR TYPE 2 COATING (SRF-14.9624) TO THE RUB STRIP SURFACE AREA
- 6 BONDING FASTENER LOCATION FOR THE FAIRING 315T4531-1,-2,-9,-10

ITEM NUMBERS REFER TO IPL FIG. 1

315T3529-15,-24
315T4531-1,-2,-9,-10
Lower Fairing Assembly Refinish
Figure 601 (Sheet 3)

UPPER FAIRING ASSEMBLY – REPAIR 4-1

315T3530-7, -8, -15, -16
315T4531-5, -6, -11, -12

| NOTE: Refer to REPAIR – GENERAL for a list of applicable standard practices.

| 1. Rubstrip Replacement (IPL Fig. 1)

- | A. Drill out rivets (165, 179) and remove rubstrip (166, 182).
- | B. Install rubstrip (166, 182) with rivets (165, 179) using BMS 5-26, Class B or Class C fay surface sealant, as shown in Fig. 601.
- | C. Check the resistance of the electrical grounding fastener per SOPM 20-11-03.

| 2. Fairing Assembly Refinish

- | A. Finish for 315T35-7, -8, -15, -16

| NOTE: Finish is for the exterior surface only. Overspray on the interior surface is allowed.

- | (1) Apply BMS 10-21, Type 3 coating (SRF-14.68).
- | (2) Apply BMS 10-79, Type 2 primer (F-19.46) and apply one coat of BMS 10-60, Type 2 enamel as shown in BAC 5845.

| Note: Do not apply primer or enamel to the hole indicated by flagnote 1 shown in Fig. 601.

- | (a) Measure the resistivity of the conductive coating as shown in SOPM 20-10-06.

78-31-41

REPAIR 4-1

01.1

Page 601

Nov 01/03

B. Finish for 315T4531-5, -6, -11, -12

NOTE: Finish is for the exterior surface only.

(1) Prepare the surface (F-14.672).

NOTE: 315T4531-5, -6 use BMS 5-92, Type 3.

C. Finish the exposed surface of the rubstrip as indicated by flagnote 3 as shown in Fig. 601.

D. Finish the rubstrip surface area as indicated by flernote 4 as shown in Fig. 601.

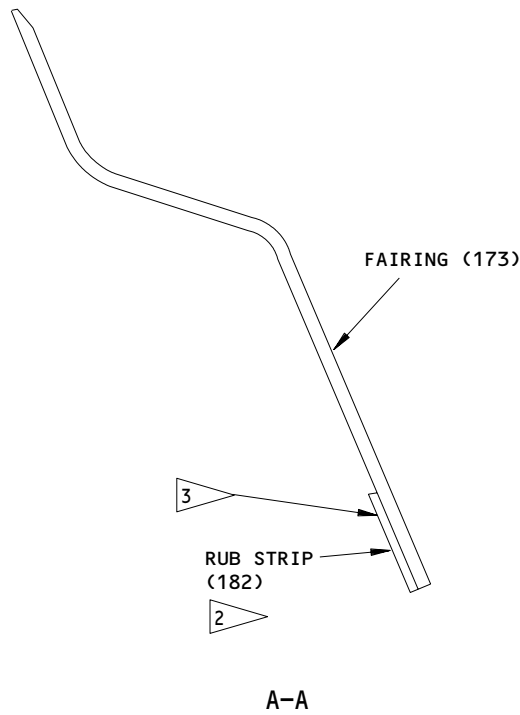
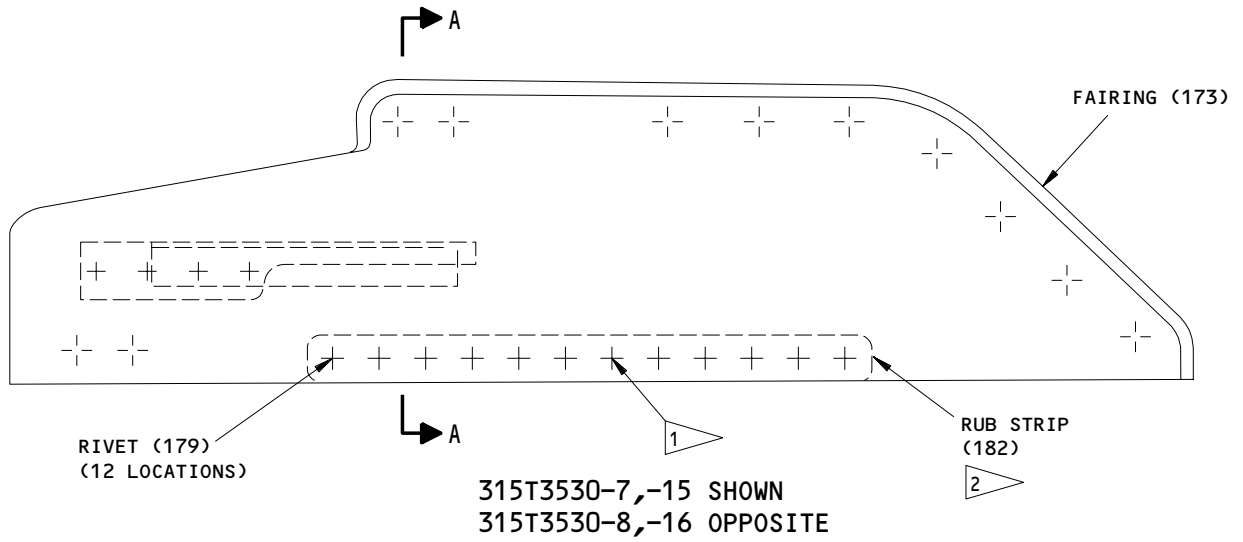
78-31-41

REPAIR 4-1

01.1

Page 602

Nov 01/03



315T3530-7,-8,-15,-16
315T4531-5,-6,-11,-12
Upper Fairing Assembly Refinish
Figure 601 (Sheet 1)

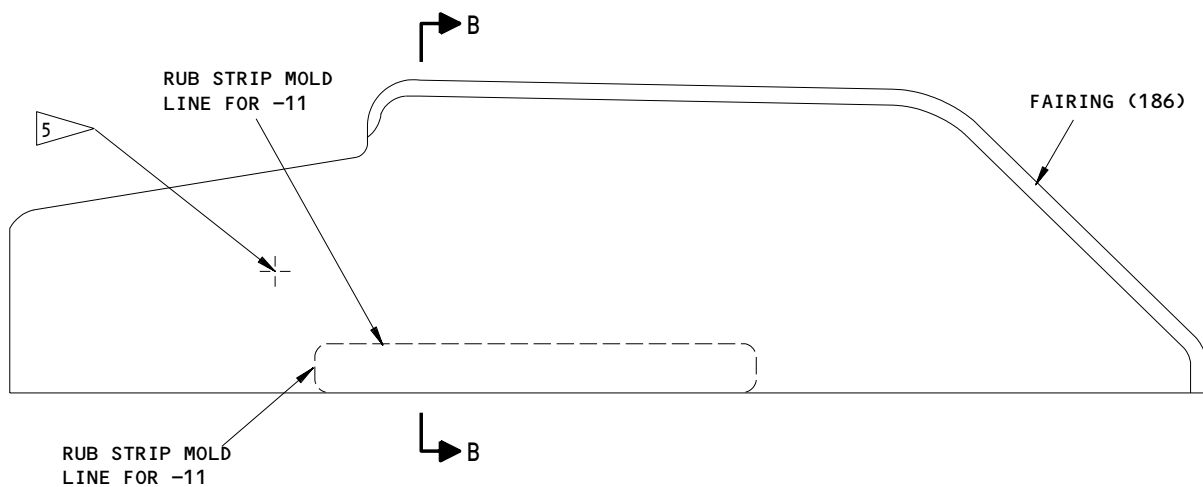
78-31-41

REPAIR 4-1

Page 603

Nov 01/03

01.1



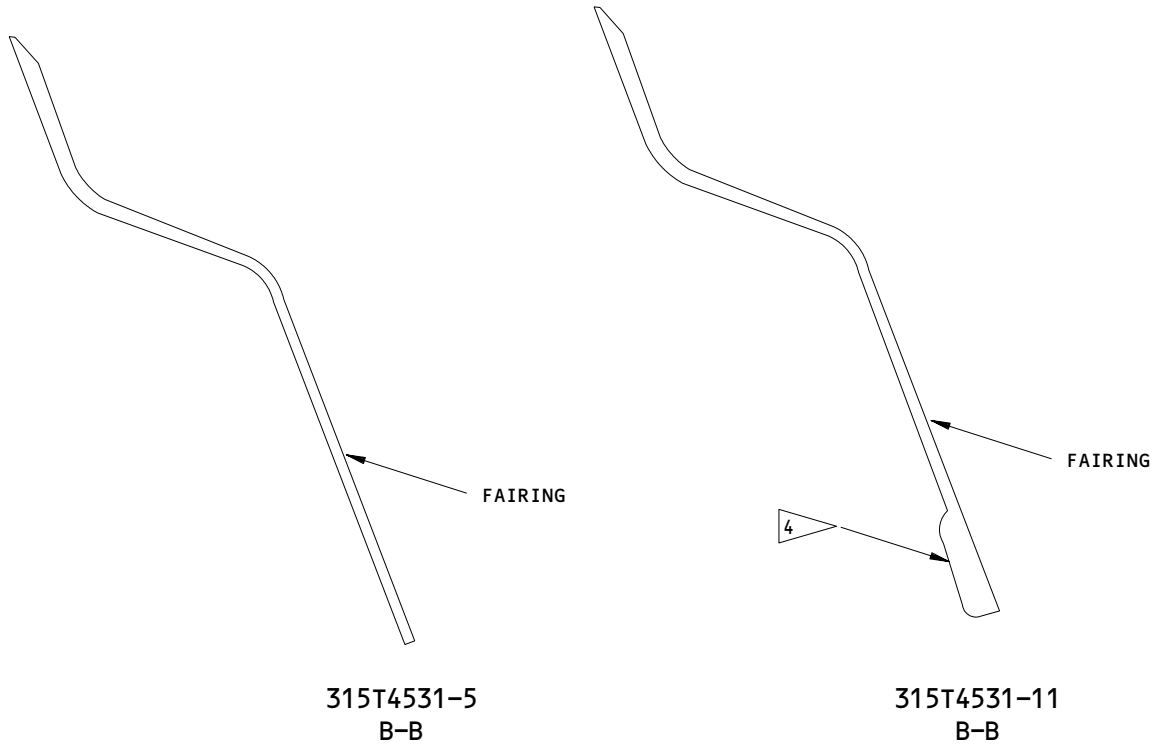
315T4531-5,-11 SHOWN
315T4531-6,-12 OPPOSITE

315T3530-7,-8,-15,-16
315T4531-5,-6,-11,-12
Upper Fairing Assembly Refinish
Figure 601 (Sheet 2)

78-31-41

REPAIR 4-1
Page 604
Nov 01/03

01.1



- 1 BONDING FASTENER LOCATION FOR 315T3530-7,-8,-15,-16. DO NOT APPLY PRIMER IN HOLE FOR THE FASTENER
- 2 APPLY BMS 5-26, CLASS B OR CLASS C FAY SURFACE SEAL TO THE RUB STRIP AND FAIRING AS SHOWN IN SOPM 20-50-19
- 3 APPLY BMS 10-86, TYPE 1 OR TYPE 2 COATING (SRF-14.9624) TO THE EXPOSED SURFACE OF THE RUB STRIP
- 4 APPLY BMS 10-79, TYPE 2 PRIMER (F-19.46) AND BMS 10-86, TYPE 1 OR TYPE 2 COATING (SRF-14.9624) TO THE RUB STRIP SURFACE AREA
- 5 BONDING FASTENER LOCATION FOR THE FAIRING 315T4531-5,-6,-11,-12

ITEM NUMBERS REFER TO IPL FIG. 1

315T3530-7,-8,-15,-16
315T4531-5,-6,-11,-12
Upper Fairing Assembly Refinish
Figure 601 (Sheet 3)

78-31-41

REPAIR 4-1

01.1

Page 605

Nov 01/03

FAIRING ASSEMBLY – REPAIR 5-1

315T4529-1, -2
315T4530-1, -2
315T4531-3, -4, -7, -8

NOTE: Refer to REPAIR – GENERAL for a list of applicable standard practices.

1. Clip Replacement (IPL Fig. 1)

A. Remove bolts (74) and remove clip (77).

B. Install new clip (77) with bolts (74).

(1) Install the electrical grounding fastener indicated by flagnote 1 per 20-10-06.

C. Check the resistance of the electrical grounding fastener per SOPM 20-11-03.

2. Fairing Assembly Refinish

A. Finish for 315T4529-1, -2 and 315T4530-1, -2

NOTE: Finish is for the exterior surface only. Overspray on the interior surface is allowed.

(1) Apply BMS 10-21, Type 3 coating (SRF-14.68).

(2) Apply BMS 10-79, Type 2 primer (F-19.46).

NOTE: Do not apply primer to the countersink of the hole indicated by flagnote 1 shown in Fig. 601.

(a) Measure the resistivity of the conductive coating as shown in SOPM 20-10-06.

78-31-41

REPAIR 5-1

01.1

Page 601

Nov 01/03

B. Finish for 315T4531-3, -4, -7, -8

NOTE: Finish is for the exterior surface only.

(1) Prepare the surface (F-14.672).

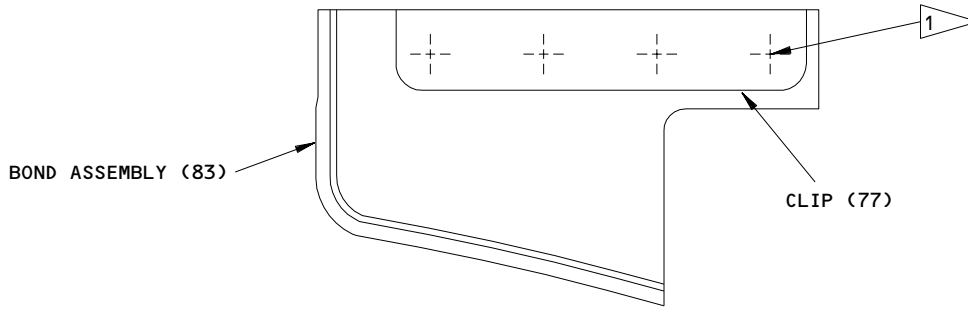
78-31-41

REPAIR 5-1

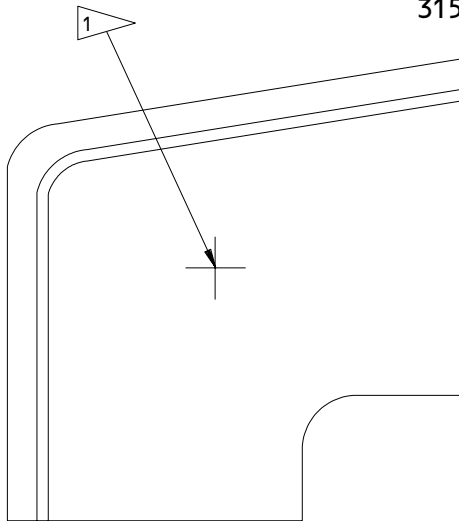
01.1

Page 602

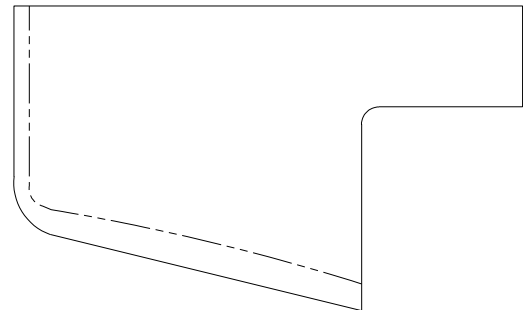
Nov 01/03



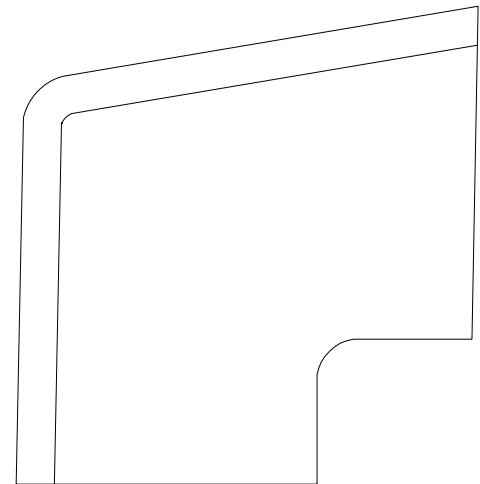
315T4529-1 SHOWN
315T4529-2 OPPOSITE



315T4530-1 SHOWN
315T4530-2 OPPOSITE



315T4531-3 SHOWN
315T4531-4 OPPOSITE



315T4531-7 SHOWN
315T4531-8 OPPOSITE

1 ELECTRICAL GROUNDING FASTENER, OMIT
PRIMER FROM COUNTERSINK

315T4529-1,-2
315T4530-1,-2
315T4531-3,-4,-7,-8

Fairing Assembly Refinish
Figure 601

78-31-41

REPAIR 5-1

Page 603

Nov 01/03

01.1

315T4014
315T4701



DRAG LINK PIN – REPAIR 6-1

315T3539-1
BACB30NR4DK21

1. Plating Repair

NOTE: Repair consists of restoration of original finish. Refer to Refinish instructions Fig. 601 and to REPAIR-GEN for list of applicable standard practices.

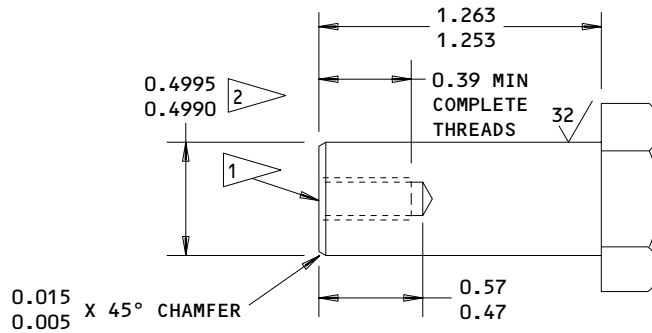
78-31-41

REPAIR 6-1

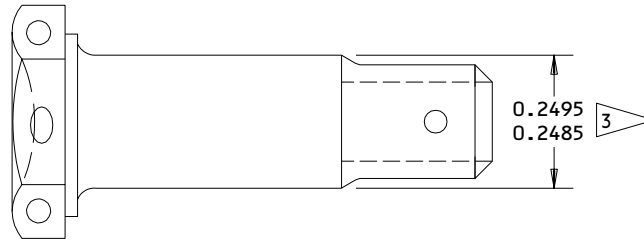
01.1

Page 601

Sep 01/95



315T3539-1



BACB30NR4DK21

REFINISH

315T3539-1:
 PASSIVATE (F-17.09)

MATERIAL: CRES

ALL DIMENSION ARE IN INCHES

ITEM NUMBERS REFER TO FIG. 1

- 1 0.1900-32UNF-3B THREADS
 CSK 90°-120° TO 0.200-0.230 DIA
 PER MIL-S-8879
- 2 CHROME PLATE BUILDUP (F-15.03)
 (MAX THICKNESS 0.004). GRIND TO
 DESIGN DIMENSIONS PER 20-10-04.
- 3 REPLACE BOLT IF WORN BELOW DESIGN
 LIMITS.

315T3539-1
 BACB30NR4DK21
 Drag Link Pin Repair
 Figure 601

78-31-41

REPAIR 6-1

Page 602

Sep 01/95

01.1

MISCELLANEOUS PARTS REFINISH – REPAIR 7-1

1. Repair of parts listed in Table 601 consists of restoration of the original finish.

IPL FIG. & ITEM	MATERIAL	FINISH
<u>Fig. 1</u> Rubstrip (67A) Clip (77,80)	Al alloy 2024-T42	Chemically treat and apply BMS 10-11, Type 1 primer (F-18.06).
Conduit (251,254)	Al alloy	Chemically treat (F-17.08) and apply one coat BMS 10-11, type 1 primer (F-20.02).
Angle (257,260)	Al alloy	Chromic acid anodize (F-17.04) and apply two coats BMS 10-11, type 1 primer (F-20.03).
Target (275)	15-5PH CRES 150-170 ksi	Apply two coats BMS 10-11, type 1 primer (F-20.03).
Target (275A)	HYMU 80 annealed or molypermalloy No. 1	Cadmium plate and apply one coat of BMS 10-11, type 1 primer (F-16.01).
Bumper (326,329)	Al alloy	Chromic acid anodize and apply one coat BMS 10-11, type 1 primer (F-18.13).
Retainer (398)	17-7PH CRES 180-200 ksi	Cadmium plate and apply one coat BMS 10-11, type 1 primer (F-16.01).

Refinish Details
Table 601 (Sheet 1)

78-31-41

REPAIR 7-1

01.1

Page 601

Nov 01/03

IPL FIG. & ITEM	MATERIAL	FINISH
Fitting (416)	15-5PH CRES 180-200 ksi	Cadmium plate and apply one coat BMS 10-11, type 1 primer (F-16.01).
Band (428,431), pin (434), washer (440)	15-5PH CRES 180-200 ksi	Passivate (F-17.09).
Channel (521,524)	Al alloy	Chemically treat and apply one coat BMS 10-11, type 1 primer (F-18.06).
Tube (596A), angle (623)	Al alloy	Chemical treat (F-17.08) and apply high temperature polyurethane primer (F-19.43) except to interior of tube.
Clip (626)	321 or 347 CRES	Cadmium plate (F-15.06) per 20-42-05.
<u>Fig. 2</u>		
Pin (25)	304 CRES tube	Passivate (F-17.09).
<u>Fig. 3</u>		
Channel (60,62,63, 75,80,82,83,84,85, 105,107,108,120, 122,123)	Al alloy	Chromic acid anodize (F-17.04) and apply two coats BMS 10-11, type 1 primer (F-20.03).
Fitting assy (223, 225,230)	15-5PH CRES 150-170 ksi	Cadmium plate and apply one coat of BMS 10-11, type 1, primer (F-16.01).

Refinish Details
Table 601 (Sheet 2)

78-31-41

REPAIR 7-1

01.1

Page 602

Nov 01/03

IPL FIG. & ITEM	MATERIAL	FINISH
<u>Fig. 4</u> Retainer (300) Angle (305)	15-5PH CRES 150-170 ksi Al alloy	Cadmium plate and apply one coat of BMS 10-11, type 1, primer (F-16.01) to all surfaces except insert hole. Chromic acid anodize and apply one coat BMS 10-11, type 1 primer (F-18.13).
<u>Fig. 6</u> Retainer (100) Cover (30,35), angle (110,115), box (120,125)	15-5PH CRES 150-170 ksi Al alloy	Cadmium plate and apply one coat of BMS 10-11 type 1 primer (F-16.01) to all surfaces except insert hole. Chemically treat and apply one coat BMS 10-11, type 1 primer (F-18.06).
<u>Fig. 7</u> Duct (185), inlet (210), bracket (235), tube (260), clip (320), bracket (325), bracket (345)	Al alloy	Chromic acid anodize and apply one coat BMS 10-11, type 1 primer (F-18.13).

Refinish Details
Table 601 (Sheet 3)

78-31-41

REPAIR 7-1

01.1

Page 603

Nov 01/03

IPL FIG. & ITEM	MATERIAL	FINISH
Tube assy (140)	Al alloy	Chemical treat and apply one coat of BMS 10-11, type 1 primer (F-18.07). Omit primer from tube interior.
Bracket (295)	Inconel 625	Apply two coats BMS 10-11, type 1 primer (F-20.03).
<u>Fig. 8</u>		
Retainer (65)	17-7PH CRES 180-200 ksi	Cadmium plate and apply one coat of BMS 10-11, type 1 primer (F-16.01).
Retainer (85, 145)	Al alloy	Chromic acid anodize and apply one coat BMS 10-11, type 1 primer (F-18.13).
Bracket assy (105)		Apply one coat BMS 10-11, type 1 primer (F-20.02).
Retainer (120) Bracket (125)	17-7PH CRES 180-200 ksi	Passivate (F-17.09).
Band (195A, 200A)	17-7PH CRES 180-200 ksi	Passivate (F-17.09).

Refinish Details
Table 601 (Sheet 4)

78-31-41

REPAIR 7-1

01.1

Page 604

Nov 01/03

IPL FIG. & ITEM	MATERIAL	FINISH
<u>Fig. 10</u>		
Channel (40,45,60,65,70,85,90,105,110)	Al alloy 2024-T3511	Chromic acid anodize (F-17.04). Apply BMS 10-11, Type I primer (F-20.03).
Shim (310)	CRES BAC1534-50C	Apply BMS 10-11, Type I primer (F-20.03).
Channel (365) Angle (370)	17-7PH 180-200 ksi	Passivate (F-17.09).
Fitting (280,285,290)	15-5PH 150-170 ksi	Cadmium plate. Apply BMS 10-11, Type I primer (F-16.01).
Bracket (265,270)	Nickel 625	No finish (F-25.01).
Tube assembly (150,155,160,165,170)	CRES 21-6-9	No finish (F-25.01).
Gasket (260) Fair Lead (50,55,75,80,95,100,115,120)	Rubber	No finish (F-25.01).

Refinish Details
Table 601 (Sheet 5)

78-31-41

REPAIR 7-1

01.1

Page 605

Nov 01/03

IPL FIG. & ITEM	MATERIAL	FINISH
<u>Fig. 11</u>		
Bracket (40)	Al alloy 2024-T3	Chromic acid anodize (F-17.04). Apply BMS 10-11, Type I primer (F-20.03).
Retainer (55)	17-7PH 180-200 ksi	Cadmium plate. Apply BMS 10-11, Type I primer (F-16.01).
Retainer (90)	Al alloy 2024-T8511 BAC 1520-2753	Chromic acid anodize. Apply BMS 10-11, Type I primer (F-18.13).
Fitting (130)	15-5PH 180-200 ksi	Cadmium plate. Apply BMS 10-11, Type I primer (F-16.01). (Finish is not required in the slots or holes).
Band (150A,155A)	15-5PH 180-200 ksi	Passivate (F-17.09). Apply BMS 3-8 solid film lubricant (F-19.10).
<u>Fig. 14</u>		
Filler (50)	Al alloy 2024-T3	Chromic acid anodize. Apply BMS 10-11, Type I primer (F-18.13).

Refinish Details
Table 601 (Sheet 6)

78-31-41

REPAIR 7-1

01.1

Page 606

Nov 01/03

IPL FIG. & ITEM	MATERIAL	FINISH
<u>Fig. 15</u>		
Cover (30,35)	Al alloy BACC50D59M	Chemical treat. Apply BMS 10-11, Type I primer (F-18.06).
Retainer (100)	15-5PH 150-170 ksi	Cadmium plate. Apply BMS 10-11, Type I primer (F-16.01). (Do not apply finish in the hole for the insert).
Angle (110,115)	Al alloy 6061-T4	Chemical treat. Apply BMS 10-11, Type I primer (F-18.06).
Box (120,125)	Al alloy 6061-T6 BACB16D59-200D	Chemical treat. Apply BMS 10-11, Type I primer (F-18.06).

Refinish Details
Table 601 (Sheet 7)

ASSEMBLY

1. Equipment

NOTE: Equivalent substitutes may be used.

- A. Support Stand, Fan Duct Cowl and Thrust Reverser -- A78011-69
- B. Rig Pin -- MS20392-3C or 0.246-0.248 inch diameter rod, 4 inches Long

2. Materials

NOTE: Equivalent substitutes may be used.

- A. Hydraulic Fluid -- BMS 3-11E, Type 4 (Ref 20-60-03)
- B. Primer -- BMS 10-11, Type 1 (Ref 20-60-02)
- C. Putty -- BMS 8-45 (Ref 20-60-04)
- D. Sealant -- BMS 5-26 (Ref 20-60-04)
- E. Sealant -- BMS 5-63 (Ref 20-60-04)
- F. Grease -- BMS 3-24 (Ref 20-60-03)

3. Assembly (IPL Fig. 1, unless otherwise noted)

NOTE: Fan duct cowl and thrust reverser assembly should be supported in a support fixture to facilitate buildup and checkout.

- A. Install stop assemblies (308, 311, 314) using bolts (305, 317). If necessary, install nutplates (323) using rivets (320). Install with wet BMS 10-11 primer, except omit primer from threads.
- B. Install thrust reverser sleeve (464, 467) on fan duct cowl (470B thru 479W).
- C. Install link assemblies between blocker doors and cowl assembly using pin (434), washers (440) and screws (437).

78-31-41

01.1 ASSEMBLY
Page 701
Nov 01/03

- D. Install hold-open rod (IPL Fig. 1; 371) (IPL Fig. 14; 55) with bolt (IPL Fig. 1; 344) (IPL Fig. 14; 10), bushings (IPL Fig. 1; 347, 350) (IPL Fig. 14; 20, 25), retainer (IPL Fig. 1; 356) (IPL Fig. 14; 35) and nut (IPL Fig. 1; 353) (IPL Fig. 14; 30).
- E. If the reworked hold-open rod (IPL Fig. 1; 371B) (IPL Fig. 2; 1) is to be installed, attach hold-open rod with clamps (IPL Fig. 2; 15, 40), bolts (IPL Fig. 2; 5), nuts (IPL Fig. 2; 10), lockpin (IPL Fig. 2; 20) and pin retainer (IPL Fig. 2; 25). Ensure clamps (IPL Fig. 2; 40) are spaced to allow pin retainer (IPL Fig. 2; 25) to extend approximately 0.15 inch beyond clamps at both ends.
- F. Attach the latch band assembly (IPL Fig. 1; 378, 401) (IPL Fig. 8; 1A) (IPL Fig. 11; 1A) to fan duct cowl using bolt (IPL Fig. 1; 378J, 392) (IPL Fig. 8; 55) (IPL Fig. 11; 45), washer (IPL Fig. 1; 378M, 395) (IPL Fig. 8; 60) (IPL Fig. 11; 50), and retainer (IPL Fig. 1; 378R, 398) (IPL Fig. 8; 65, 67) (IPL Fig. 11; 55).
- G. Assemble deactivation pin stowage bracket assembly (494, 497).
 - (1) Attach retainer assembly (500) to channel (521, 524) with bolts (503) and collars (506).
 - (2) Attach channel (521, 524) to fan duct cowl with bolts (515) and collars (518).
 - (3) Attach streamer assembly (542A) to ground maintenance deactivation pin using items (545 thru 554). Use washer under bolthead and spacer under washer.
- H. Assemble opening actuator tubing installation (IPL Fig. 4).
 - (1) Attach tube assemblies (45, 50), clamps (25), and clampshells (30) with screws (10), washers (15), and nuts (20).

- (2) Attach manifold assembly (110) to fan duct cowl with bolts (95), washers (100), and nuts (105).
- (3) Connect tube assemblies (45, 50) to manifold assembly (110) using union (60), packing (65), sleeve (75), fitting (70), and nut (80).
- (4) Connect hose assembly (35, 40) to upper end of tube assemblies (45, 50) with union (55), washer (90), sleeve (75) and nuts (80, 85).

I. Install actuators and hydraulic tubing.

- (1) Position thrust reverser sleeve so that sleeve seal contacts the cowl assy.
- (2) Check that actuators (IPL Fig. 3; 255, 260A) (IPL Fig. 10; 345, 350) are in the fully retracted position. The aluminum collar on the rod end of the actuators should be within 0.010-0.025 inch of the actuator cylinder.
- (3) Align actuators so that hydraulic ports are on the side of actuator that is closest to the engine centerline.
- (4) Attach actuator rod end to the thrust reverser sleeve fitting with bolt (IPL Fig. 3; 270) (IPL Fig. 10; 320), bushings (IPL Fig. 3; 280) (IPL Fig. 10; 335), washers (IPL Fig. 3; 275) (IPL Fig. 10; 325) and nut (IPL Fig. 3; 285) (IPL Fig. 10; 330). Tighten nut to 20 pound-inches, then continue to tighten to next castellation and insert cotter pin (IPL Fig. 3; 265) (IPL Fig. 10; 315). After cotter pin is inserted, apply approximately 0.06 inch of BMS 5-63 sealant over end of bolt, castellated nut, and fully covering cotter pin.
- (5) For locking actuator (IPL Fig. 3; 260A) (IPL Fig. 10; 350) only:
 - (a) Remove gage bar from actuator.

- (b) Rotate actuator lock lever in a clockwise direction to release lock.
- (c) Engage trip lever to keep actuator unlocked while aligning gimbal.

CAUTION: DO NOT DAMAGE SPLINES WITH DRIVE KEY.

- (6) Insert a 3/16 inch drive key in the spline hole of the actuators.
- (7) Align actuator (IPL Fig. 3; 255, 260A) (IPL Fig. 10; 345, 350) gimbal with attach points using drive key.
- (8) Insert retainer fitting assembly (IPL Fig. 3; 223, 225, 230) (IPL Fig. 10; 280) pins into actuator gimbals.
- (9) Measure the gap between gimbal and attachment fittings.
- (10) Remove the pins (IPL Fig. 3; 240) and insert shims (IPL Fig. 3; 250) (IPL Fig. 10; 310) to fill the measured gap. Shims must be equal on both sides. Maximum allowable gap on one side of gimbal, after shimming, is 0.005 inch.
- (11) Reinstall the pins (IPL Fig. 3; 240) and secure with bolts (IPL Fig. 3; 235A) (IPL Fig. 10; 275).
- (12) Install cap assembly (IPL Fig. 3; 215) (IPL Fig. 10; 230) on upper non-locking actuator (IPL Fig. 3; 255) (IPL Fig. 10; 345).
- (13) Install manual drive adapter (IPL Fig. 3; 220) or lock assembly (IPL Fig. 3; 222R) (IPL Fig. 10; 250) on lower non-locking actuator (IPL Fig. 3; 255) (IPL Fig. 10; 345). Hand tighten B-nut of lock assembly (IPL Fig. 3; 222R) (IPL Fig. 10; 250).
- (14) For lower non-locking actuator (IPL Fig. 3; 255) (IPL Fig. 10; 345) with the sync shaft lock assembly (IPL Fig. 3; 222R) (IPL Fig. 10; 250):
 - (a) Wrap gasket (IPL Fig. 3; 221) (IPL Fig. 10; 260) around lower non-locking actuator (IPL Fig. 3; 255) (IPL Fig. 10; 345). Trim to fit.

78-31-41

ASSEMBLY
Page 704
Nov 01/03

01.1

- (b) Install bracket (IPL Fig. 3; 222) (IPL Fig. 10; 265) loosely with attaching parts (IPL Fig. 3; 221H, 221R) (IPL Fig. 10; 240, 245) on lock assembly (IPL Fig. 3; 222R) (IPL Fig. 10; 250).
 - (c) Install clamp (IPL Fig. 3; 220J) (IPL Fig. 10; 255) around bracket (IPL Fig. 3; 222) (IPL Fig. 10; 265), gasket (IPL Fig. 3; 221) (IPL Fig. 10; 260) and lower non-locking actuator (IPL Fig. 3; 255) (IPL Fig. 10; 345). Tighten nut on clamp (IPL Fig. 3; 220J) (IPL Fig. 10; 255) to 30-35 pound-inches.
 - (d) Tighten B-nut on lock assembly (IPL Fig. 3; 222R) (IPL Fig. 10; 250) to 850-950 pound-inches without rotating lock assembly (IPL Fig. 3; 222R) (IPL Fig. 10; 250).
 - (e) Tighten bolts (IPL Fig. 3; 221H) (IPL Fig. 10; 240).
- (15) Install cap assembly (IPL Fig. 3; 210) (IPL Fig. 10; 235) on lower non-locking actuator (IPL Fig. 3; 255) (IPL Fig. 10; 345).
- (16) Install dust covers on any open ports on actuators (IPL Fig. 3; 255, 260) (IPL Fig. 10; 345, 350).
- (17) Install hose assemblies (IPL Fig. 3; 200, 205) (IPL Fig. 10; 200, 225) with union (IPL Fig. 3; 185) (IPL Fig. 10; 205), washer (IPL Fig. 3; 190A) (IPL Fig. 10; 210), and nut (IPL Fig. 3; 195) (IPL Fig. 10; 215).
- (18) Install the tube assemblies (IPL Fig. 3; 135, 140, 145, 150, 155) (IPL Fig. 10; 150, 155, 160, 165, 170) using bolts (IPL Fig. 3; 20, 22, 25) (IPL Fig. 10; 10), spacers (IPL Fig. 3; 40, 45) (IPL Fig. 10; 30, 35), fairleads (IPL Fig. 3; 65, 73, 95, 110, 112, 113, 125, 127, 128) (IPL Fig. 10; 50, 55, 75, 80, 95, 100, 110, 115), channels (IPL Fig. 3; 60, 75, 80, 85, 105, 107, 108, 120, 122, 123) (IPL Fig. 10; 40, 45, 60, 65, 70, 85, 90, 105, 110), washers (IPL Fig. 3; 30, 32, 35) (IPL Fig. 10; 15) and nuts (IPL Fig. 3; 50, 55) (IPL Fig. 10; 20, 25).
- (19) Check and tighten all hose and tube assembly connections.
- J. Install sensors (215, 218).
- (1) Install auto-restow sensor (215, 218) using bolts (221), washers (224).
 - (2) Install conduit (251) using clamps (248). Attach clamps with screws (236), washers (239, 242), and nuts (245).

- K. Install wire bundles (IPL Fig. 1; 638, 641, 644, 647) (IPL Fig. 12; 41, 43) (IPL Fig. 13; 100, 105) and make appropriate connections to sensors as shown in Fig. 704.
- L. Install synchronous shaft.
- (1) Install flex shaft (IPL Fig. 3; 175) (IPL Fig. 10; 195) in tube assembly (IPL Fig. 3; 180) (IPL Fig. 10; 200).
 - (2) Slide end fitting back on tube assembly (IPL Fig. 3; 180) (IPL Fig. 10; 200) to expose ends of flex shaft.
 - (3) Loosen hydraulic line supports. See step above.
 - (4) Position upper synchronous tube assembly (IPL Fig. 3; 180) (IPL Fig. 10; 200) between actuators (IPL Fig. 3; 255, 260A) (IPL Fig. 10; 345, 350) and install into loosened hydraulic line supports. Do not tighten supports.
 - (5) Insert flex shaft (IPL Fig. 3; 175) (IPL Fig. 10; 195) into actuators and tighten tube assembly nut 1 to 2 threads.
 - (6) Tighten hydraulic line supports.
 - (7) Loosen tube assembly nuts to ensure flex shaft is engaged in actuators a both ends. Retighten tube assembly nuts.
 - (8) Repeat steps (4) thru (7) above for lower flex shaft (IPL Fig. 3; 175) (IPL Fig. 10; 195) and tube assembly (IPL Fig. 3; 180) (IPL Fig. 10; 200).
- M. Manually rotate flex shaft and cycle thrust reverser sleeve to the fully deployed position. Ensure that the sleeve operates smoothly and without interference.

CAUTION: CHECK ENTIRE ASSEMBLY TO ENSURE THAT THERE ARE NO OBSTRUCTIONS WHICH MAY PREVENT MOVEMENT OF SLEEVE ASSEMBLY TO A RETRACTED POSITION. HYDRAULIC SUPPLY IS TO BE CONNECTED FOR DEPLOY AND RETRACT.

- N. Connect hose assy (IPL Fig. 3; 205) (IPL Fig. 10; 225) to a hydraulic supply using BMS 3-11E, Type 4, hydraulic fluid at 1800 to 3000 psi.

CAUTION: THE FEEDBACK MECHANISM ON THE LOCKING ACTUATOR (IPL FIG. 3; 260A) (IPL FIG. 10; 350) MUST BE SYNCHRONIZED WITH THE ACTUATOR PISTON ROD OR INTERNAL DAMAGE TO THE ACTUATOR WILL RESULT.

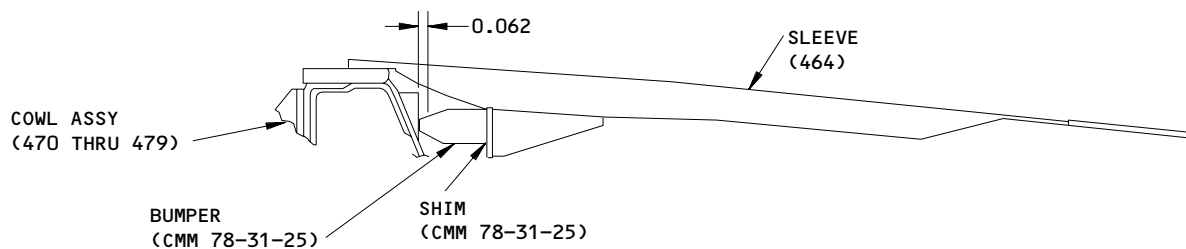
- O. Apply hydraulic pressure and verify proper stow position of actuator feedback lever as shown in Fig. 702. If the feedback requirement cannot be met, refer to Actuator Assembly CMM 78-31-01.

78-31-41

ASSEMBLY
Page 706
Nov 01/03

01.1

- P. Apply hydraulic pressure and cycle thrust reverser to fully deployed position.
- Q. Manually rotate flex shaft to cycle the thrust reverser sleeve to the stowed position. The manual override clutch may ratchet before the sleeve is fully retracted.
- R. Apply hydraulic pressure and retract sleeve to fully stowed position.
- S. Adjust shims BAC540R10D40F so that deflection of bumper 315T3563 on sleeve (Ref 78-31-25) is 0.062 inch (Fig. 701).
- T. Adjust washers (269) until gap between target (275) and restow sensor (215, 218) at fully stowed position is 0.08 to 0.12 inch (Fig. 703). An alternate method to using a feeler gage to determine gap between target and restow sensor is to use soft modeling clay as follows.
- (1) Position clay in shape of cone with approximate diameter of 1.4 inch on target surface.
 - (2) Apply petroleum jelly to surface of sensor.
 - (3) Apply hydraulic pressure and retract sleeve to fully stowed position.
 - (4) Cycle sleeve to fully deployed position.
 - (5) Measure clay thickness on target to determine gap.
- U. Install fairing assemblies (20, 23, 107, 110) with bolts (26, 29, 131, 134A) and shims (32A, 41A, 119A). Use BMS 5-26 sealant on faying surfaces.
- CAUTION:** CLAMP LOCATION DIMENSION IS CRITICAL TO PREVENT INNER WALL DAMAGE.
- V. Clamp installation (IPL Fig. 7; 30)
- (1) Install shutoff valve (IPL Fig. 7; 190) with clamps (IPL Fig. 7; 30) as shown in Fig. 705.



SLEEVE SHOWN IN FORWARD STOWED POSITION

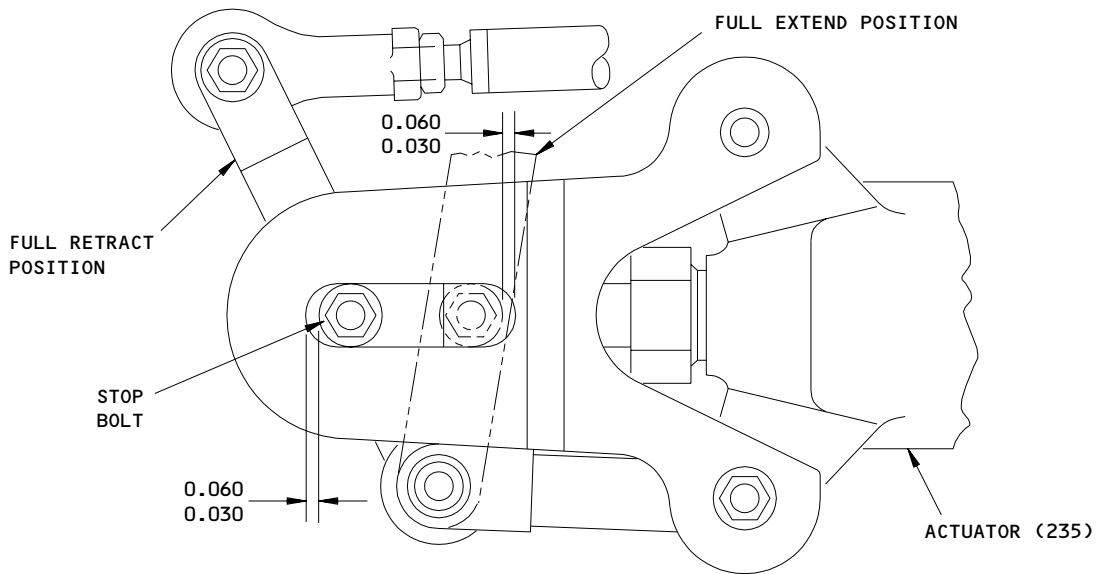
ALL DIMENSIONS ARE IN INCHES
ITEM NUMBERS REFER TO IPL FIG 1

Bumper Adjustment
Figure 701

78-31-41

ASSEMBLY
Page 708
Nov 01/03

01.1



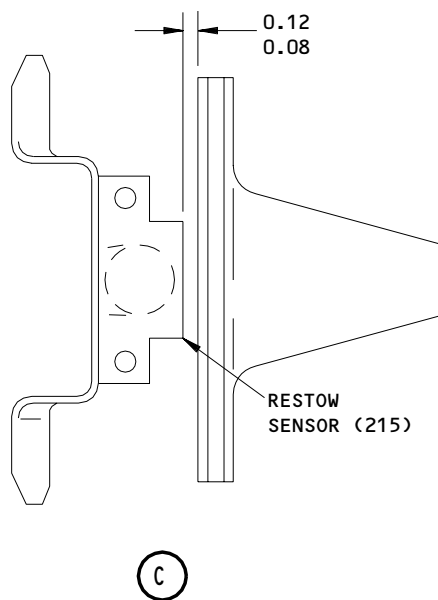
ITEM NUMBERS REFER TO IPL FIG. 3
ALL DIMENSIONS ARE IN INCHES

Locking Actuator Feedback Synchronization Check
Figure 702

78-31-41

ASSEMBLY
Page 709
Nov 01/03

01.1

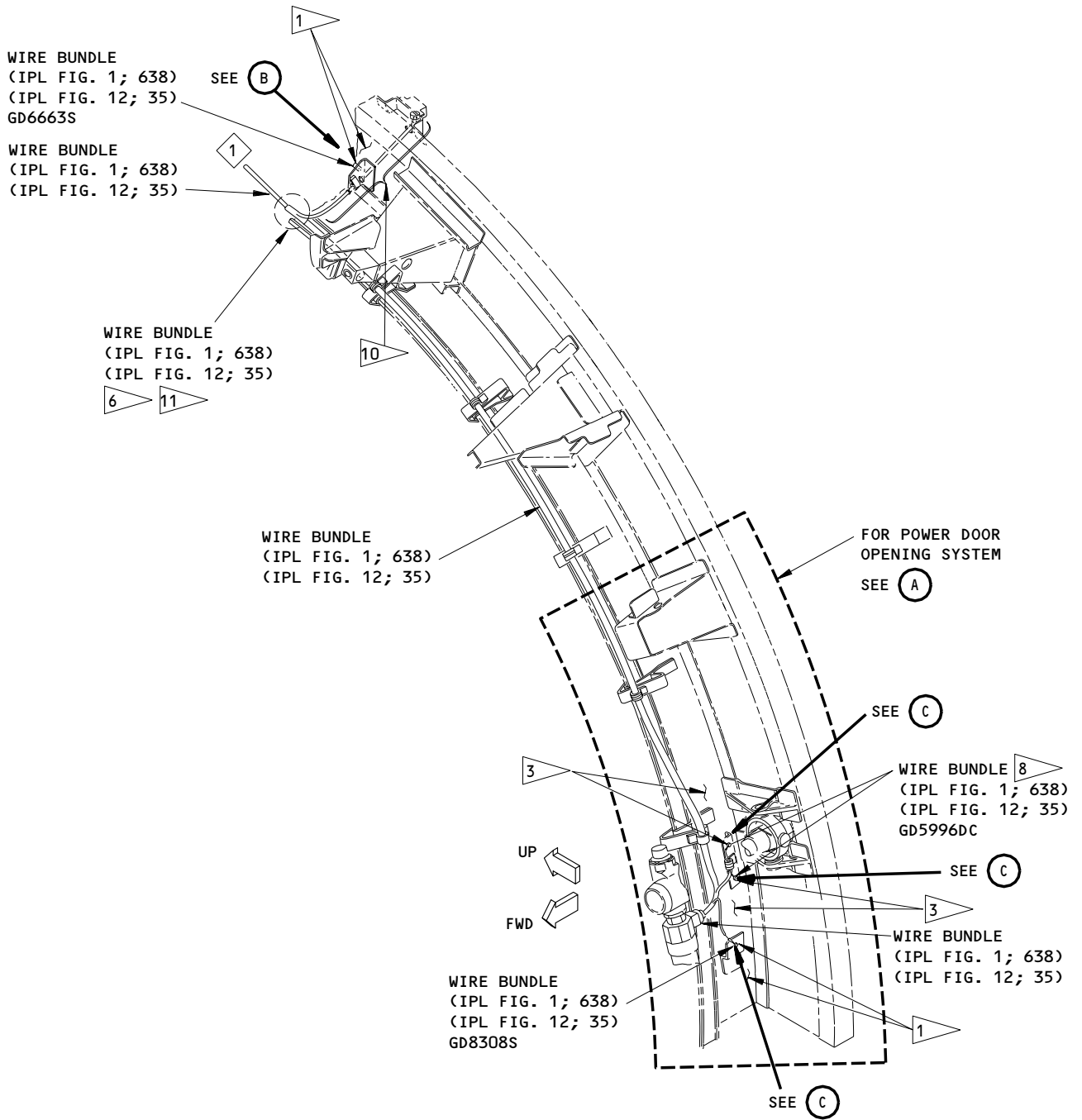


ALL DIMENSIONS ARE IN INCHES
ITEM NUMBERS REFER TO IPL FIG 1

Feedback and Position Indication Installation
Figure 703

78-31-41
ASSEMBLY
Page 710
Nov 01/03

01.1



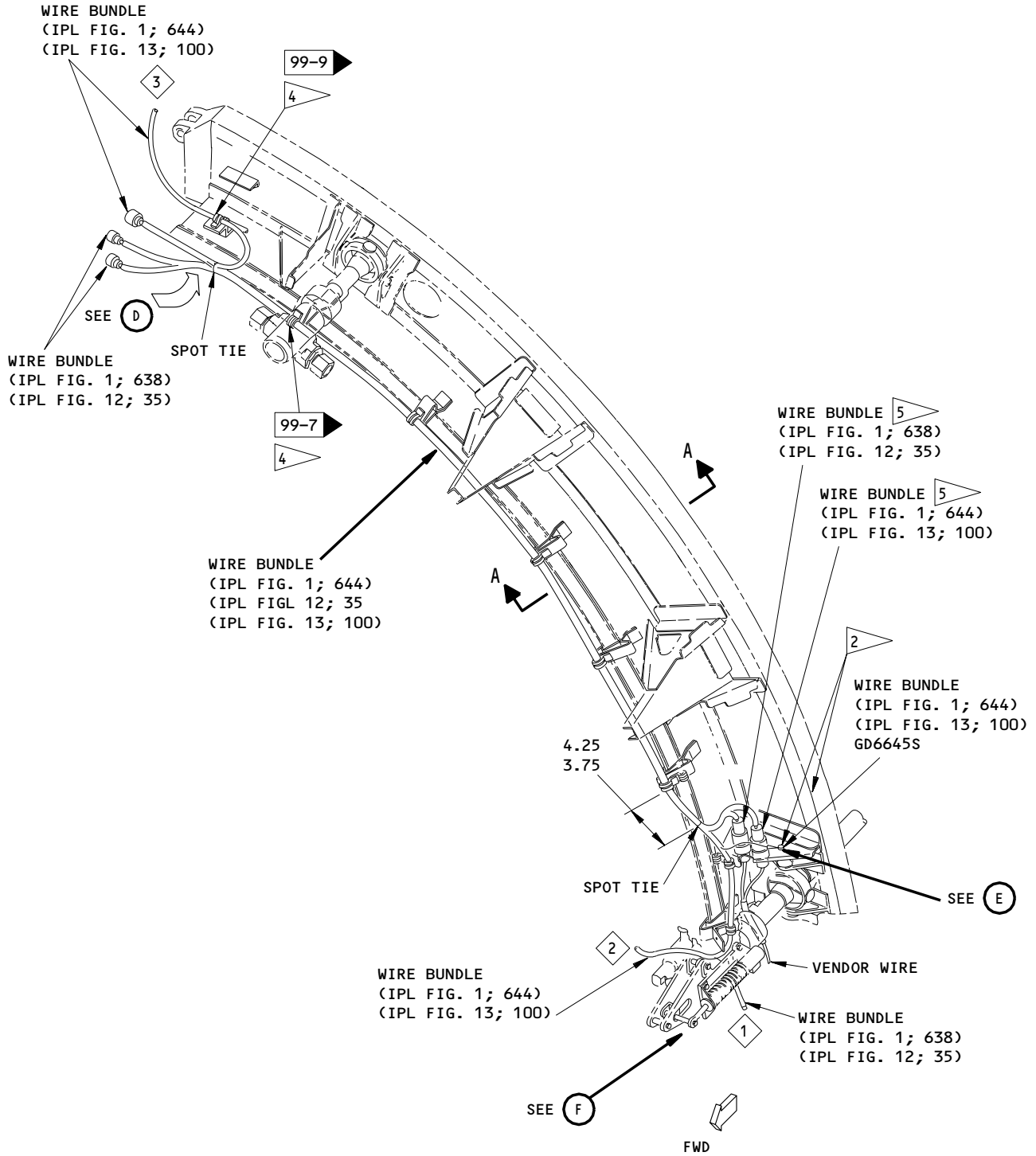
LOWER LEFT SIDE SHOWN
LOWER RIGHT SIDE OPPOSITE

Thrust Reverser - Wire Bundle Installation
Figure 704 (Sheet 1)

78-31-41

ASSEMBLY
Page 711
Nov 01/03

01.1



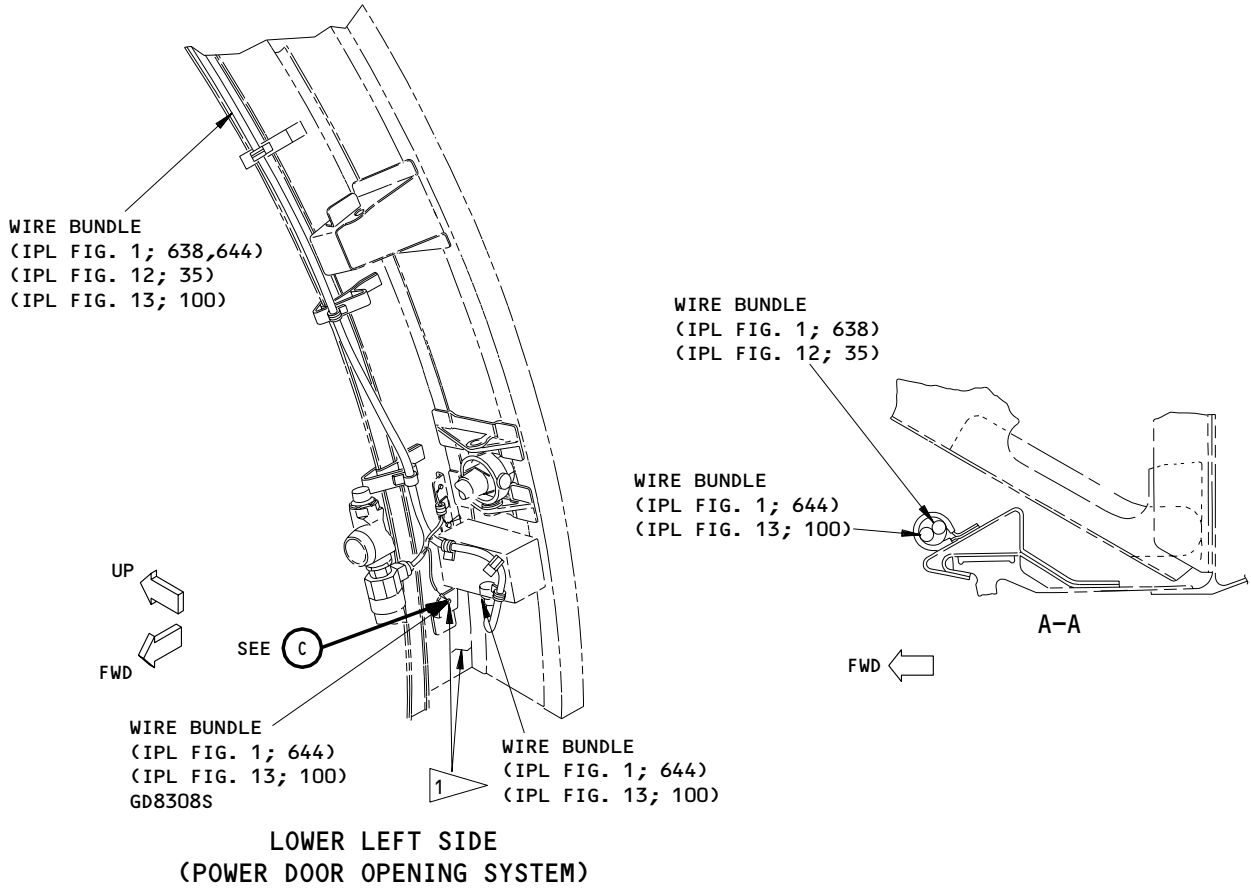
UPPER LEFT SIDE SHOWN
 UPPER RIGHT SIDE OPPOSITE (EXCEPT AS NOTED)

Thrust Reverser - Wire Bundle Installation
 Figure 704 (Sheet 2)

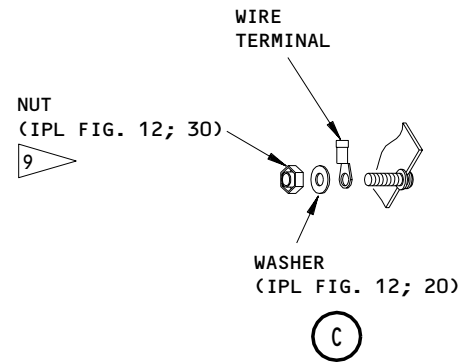
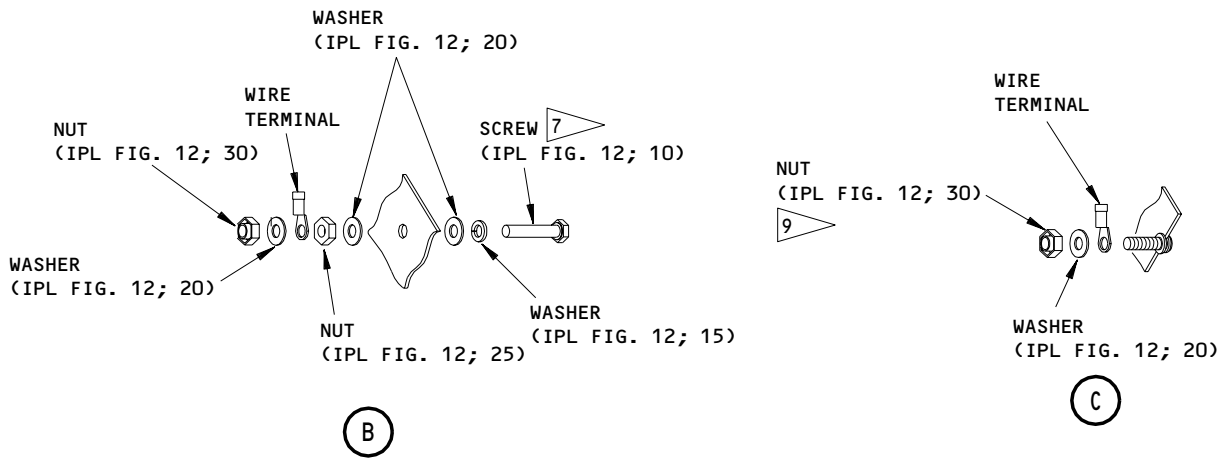
78-31-41

ASSEMBLY
 Page 712
 Nov 01/03

01.1



(A)

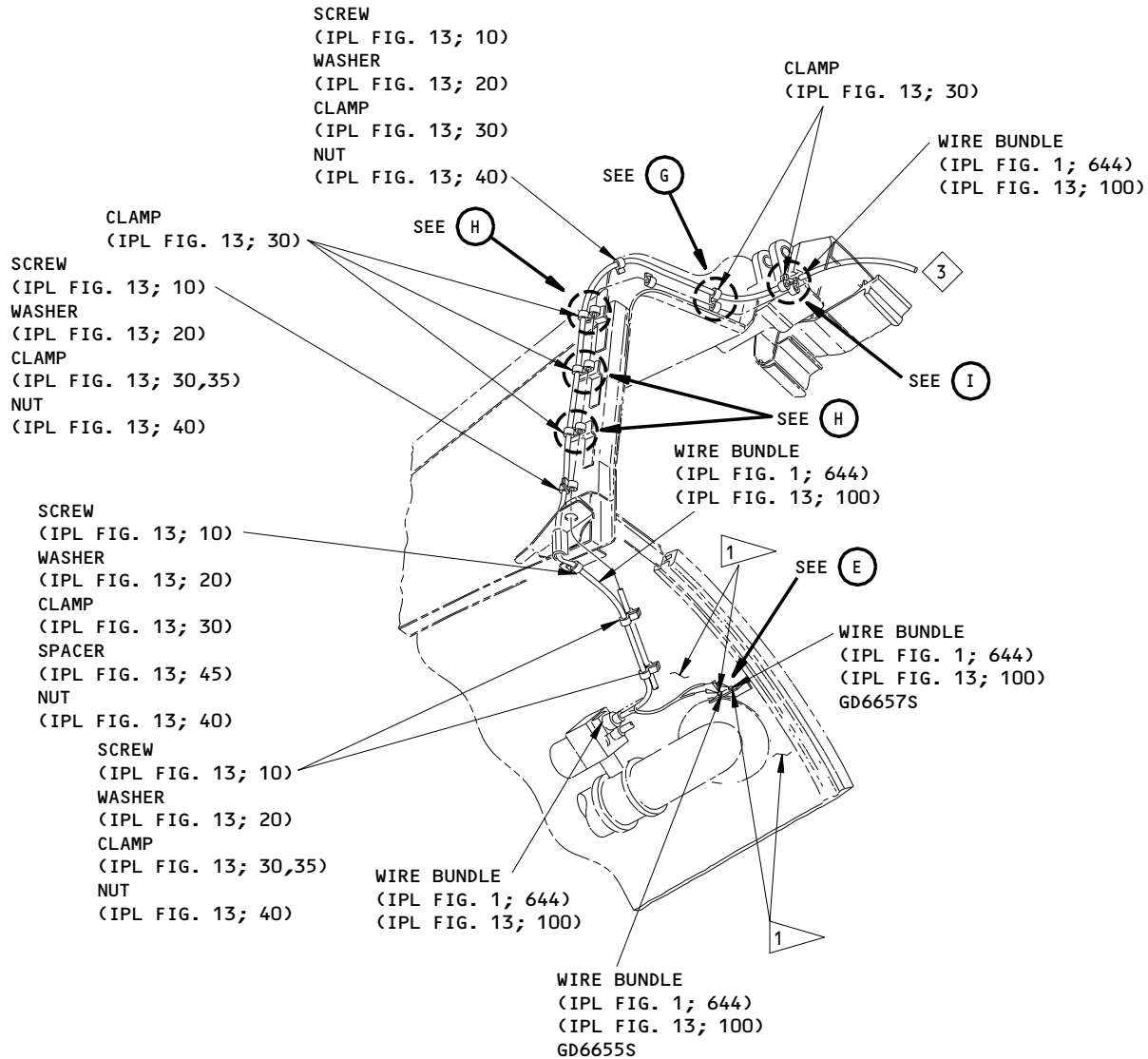


Thrust Reverser - Wire Bundle Installation
Figure 704 (Sheet 3)

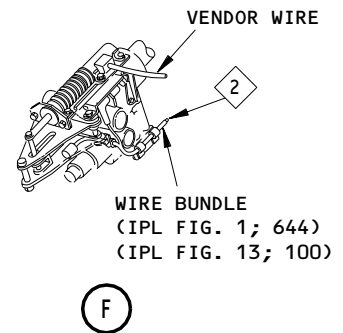
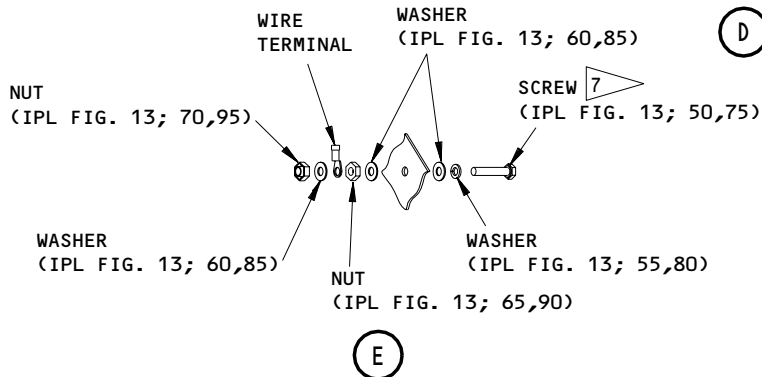
78-31-41

ASSEMBLY
Page 713
Nov 01/03

01.1



LEFT SIDE ONLY

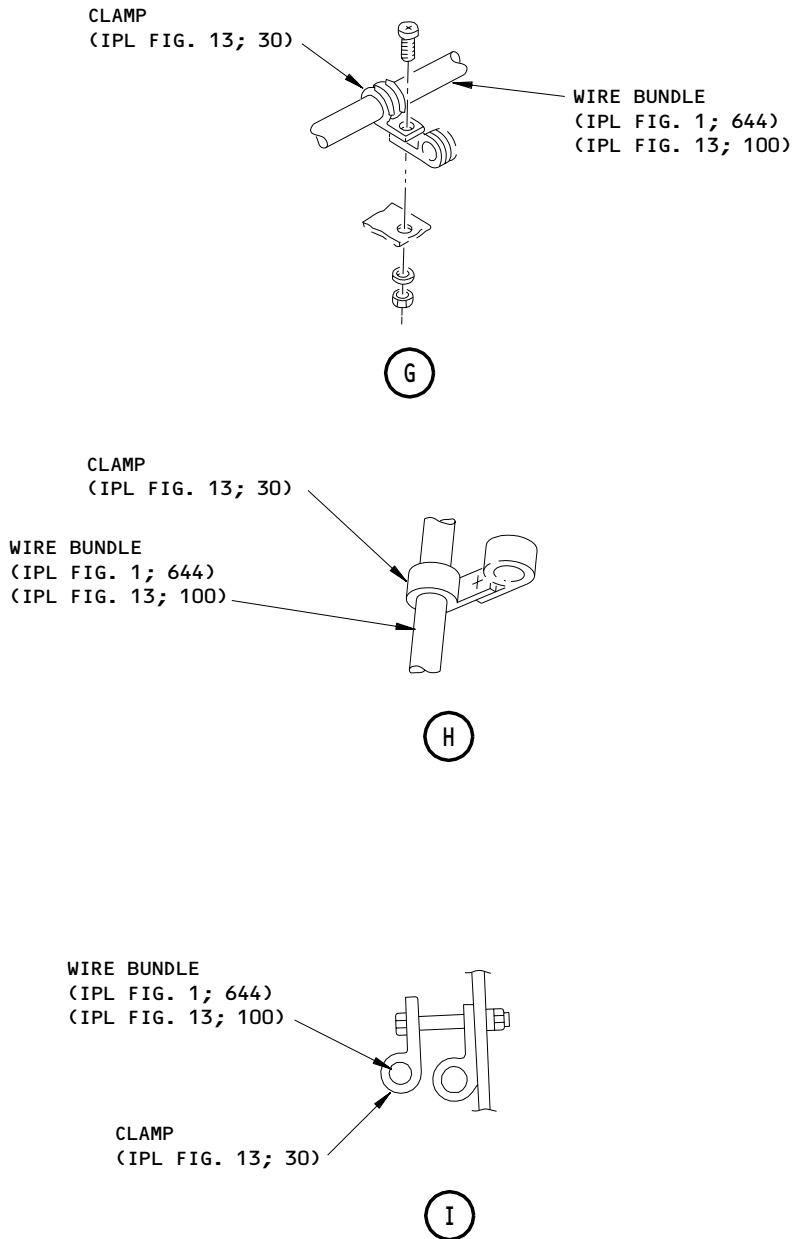


Thrust Reverser - Wire Bundle Installation
 Figure 704 (Sheet 4)

78-31-41

ASSEMBLY
 Page 714
 Nov 01/03

01.1



Thrust Reverser - Wire Bundle Installation
Figure 704 (Sheet 5)

78-31-41

ASSEMBLY
Page 715
Nov 01/03

01.1

NOTE: INSTALL THE WIRE BUNDLES USING
BACC10GU() CLAMPS
(IPL FIG. 12; 38,39)
(IPL FIG. 13; 36,37,38),
NAS1801-3-() SCREWS
(IPL FIG. 12; 31,32)
(IPL FIG. 13; 12,15,17),
BACN10YR3CM NUTS
(IPL FIG. 12; 36,37)
(IPL FIG. 13; 40,42,43) AND
NAS1149C0332J WASHERS
(IPL FIG. 12; 33,34)
(IPL FIG. 13; 20,22,27)
UNLESS NOTED OTHERWISE. SIZE TO BE
DETERMINED AT INSTALLATION. ORIENT THE
CLAMPS AS SHOWN.

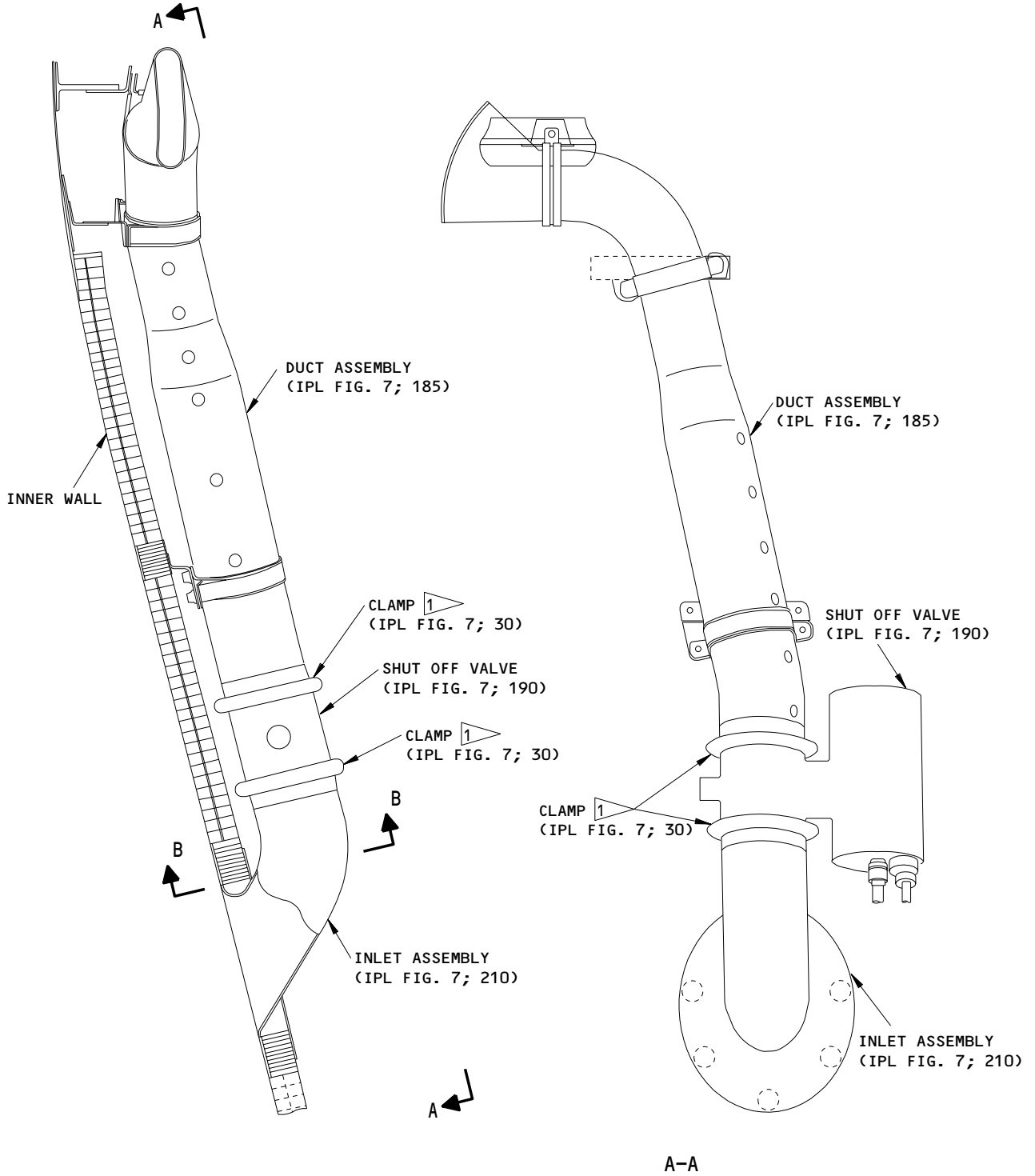
- 1 NON-DESIGNATED GROUND. THE MAXIMUM RESISTANCE BETWEEN THE TERMINAL AND THE STRUCTURE SHALL NOT EXCEED 0.0015 OHMS. MEASURE RESISTANCE AS SHOWN IN BAC5117 AND D6-36911
- 2 NON-DESIGNATED GROUND. THE MAXIMUM RESISTANCE BETWEEN THE TERMINAL AND THE STRUCTURE SHALL NOT EXCEED 0.0025 OHMS. MEASURE RESISTANCE AS SHOWN IN BAC5117 AND D6-36911
- 3 DESIGNATED GROUND. THE MAXIMUM RESISTANCE BETWEEN THE TERMINAL AND THE STRUCTURE SHALL NOT EXCEED 0.0015 OHMS. MEASURE RESISTANCE AS SHOWN IN BAC5117 AND D6-36911
- 4 INSTALL THE WIRE BUNDLE WITH THE IDENTIFICATION MARKER IN POSITION AS SHOWN IN D6-36911
- 5 CONDUCTIVE RECEPTACLE INSTALLATION AS SHOWN IN BAC 5117, CATEGORY 6, PREPARE THE RECEPTACLE MOUNTING SURFACE AS SHOWN IN BAC5117, METHOD CM3. PREPARE THE BRACKET MOUNTING SURFACE AS SHOWN IN BAC5117, METHOD CM1. THE MAXIMUM RESISTANCE BETWEEN THE RECEPTACLE BACKSHELL AND THE BRACKET SHALL NOT EXCEED 0.003 OHMS. MEASURE RESISTANCE AS SHOWN IN D6-36911. FILLET SEAL THE JOINT BETWEEN THE ELECTRICAL FAYING SURFACES AS SHOWN IN BAC5117 AND D6-36911. FILLET SEAL THE MOUNTING FASTENERS AS SHOWN IN SOPM 20-50-19.
- 6 INSTALL THE SPLICE AS SHOWN IN D6-36911. DEAD END THE INNER SHIELD
- 7 PREPARE THE BONDING SURFACE, TORQUE AND MEASURE RESISTANCE AS SHOWN IN BAC5117
- 8 INSTALL DUEL GROUND STUDS AS SHOWN IN D6-36911
- 9 TORQUE AS SHOWN IN BAC5117

- 10 THE VENDOR WIRE THAT IS OUTSIDE OF THE CONDUIT REQUIRES NON-SHRINK SLEEVING. USE TAPE TO PROTECT THE WIRE FROM THE SHARP EDGES ON THE SIDES OF THE CONDUIT
- 11 PRODUCTION SPLICE AREA
SPO0742
S1604 BLUE
BACT12C20

SPO074
S1604 RED
BACT12C20

ALL DIMENSIONS ARE IN INCHES

Thrust Reverser - Wire Bundle Installation
Figure 704 (Sheet 6)

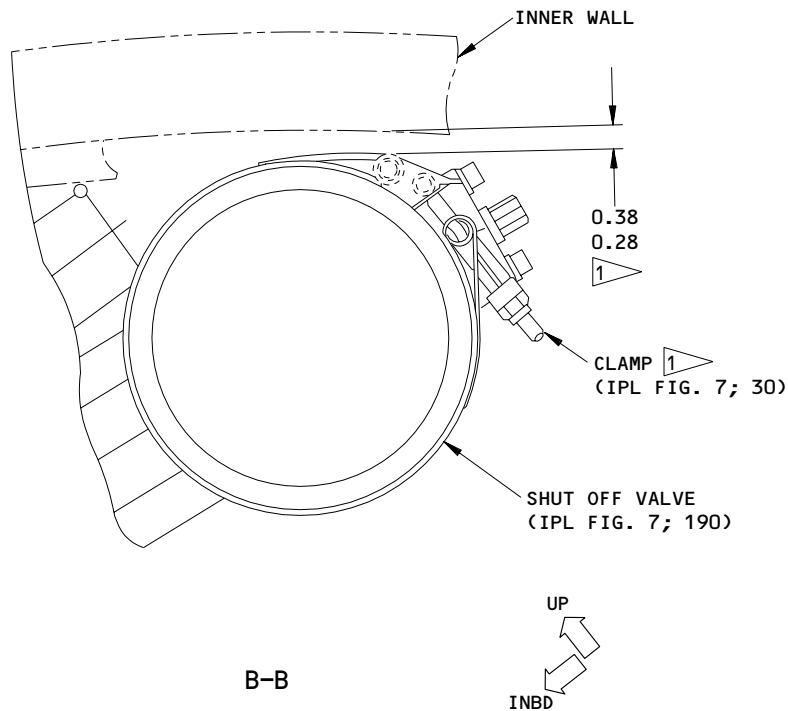


Clamp Installation - Zone Ventilation System
Figure 705 (Sheet 1)

78-31-41

ASSEMBLY
Page 717
Nov 01/03

01.1



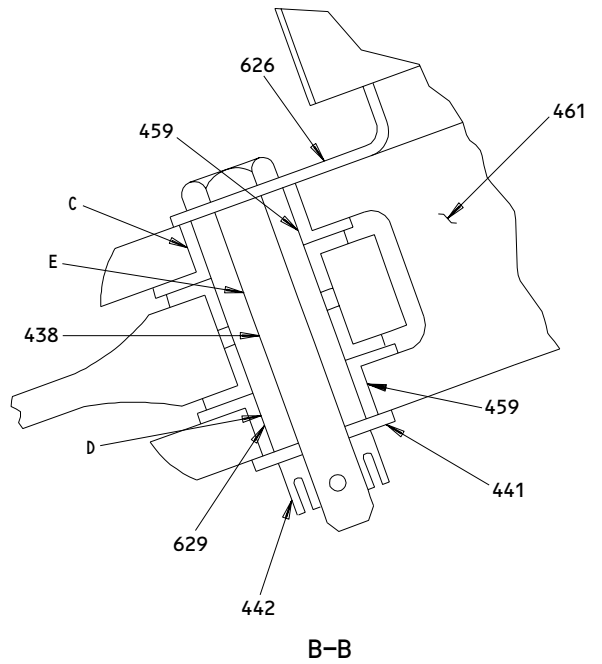
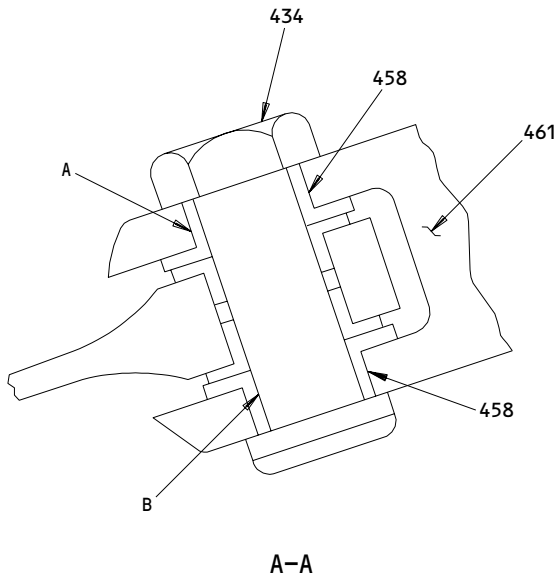
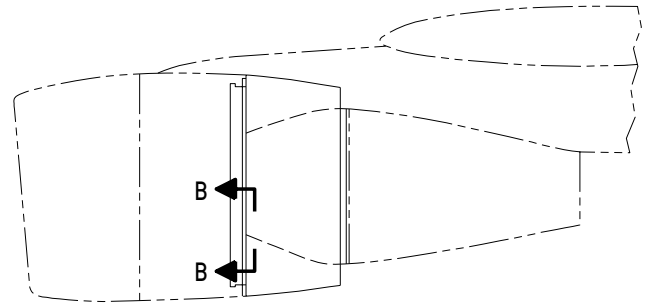
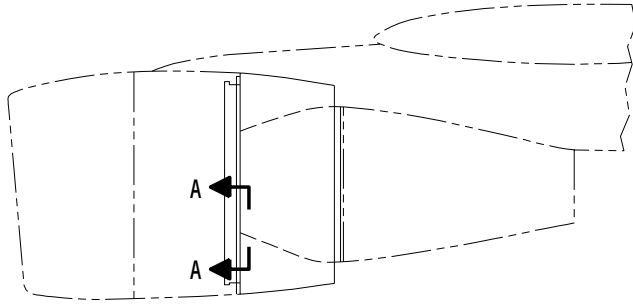
1 INSTALL THE CLAMP (30) WITH THE "T-BOLT" THREADS EXTENDING OUTBOARD AND DOWN. ROTATE THE CLAMP ON THE FLANGE TO PLACE THE LATCH WITHIN 0.030 INCH OF THE CROWN METRO; DO NOT EXCEED 0.033 INCH FROM THE INSIDE SURFACE OF THE INNER WALL ASSEMBLY. THE "T-BOLT" SHOULD HAVE APPROXIMATELY 13 THREADS EXPOSED AFTER INSTALLATION

ALL DIMENSIONS ARE IN INCHES

Clamp Installation - Zone Ventilation System
 Figure 705 (Sheet 2)

78-31-41
 ASSEMBLY
 Page 718
 Nov 01/03

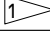
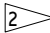
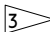
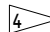
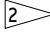
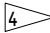
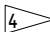
01.1

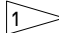
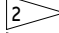
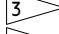
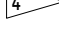


Fits and Clearances
Figure 801 (Sheet 1)

78-31-41

FITS AND CLEARANCES
01.1 Page 801
Nov 01/03

IDENTIFICATION				DESIGN DIMENSION				SERVICE WEAR LIMIT		
REF LETTER FIG. 801	DIM	MATING ITEM NO.	FIG. NO.	DIMENSION		ASSEMBLY CLEARANCE 		DIMENSION		MAX CLEARANCE
				MIN	MAX	MIN	MAX	MIN	MAX	
A	ID	461	1	0.6250	0.6256	-0.0005	-0.0017	----	----	0.000 
	OD	458		0.6261	0.6267			----	----	
B	ID	458	1	0.5000	0.5007	0.0005	0.0017	----	0.5020	0.0030  
	OD	434		0.4990	0.4995			0.4975	----	
C	ID	461	1	0.6250	0.6256	-0.0005	-0.0017	----	----	0.000 
	OD	459		0.6261	0.6267			----	----	
D	ID	459	1	0.5000	0.5007	0.0005	0.0017	----	0.5020	0.0030 
	OD	629		0.4990	0.4995			0.4975	----	
E	ID	629	1	0.2500	0.2505	0.0005	0.0020	----	0.2520	0.0040 
	OD	438		0.2485	0.2495			0.2470	----	

-  NEGATIVE VALUES DENOTE INTERFERENCE FIT
-  FOR OVERSIZE BUSHING TYPE
-  FOR CHROME PLATE BUILDUP TYPE REPAIR
-  REPLACE BUSHING IF WORN

Fits and Clearances
 Figure 801 (Sheet 2)

78-31-41

SPECIAL TOOLS, FIXTURES AND EQUIPMENT

NOTE: Equivalent substitutes may be used.

- | A. Sling, Thrust Reverser -- A71002-48
- | B. Stand Support, Thrust Reverser -- A78011-69

78-31-41

SPECIAL TOOLS

01.1

Page 901

Nov 01/03

ILLUSTRATED PARTS LIST

1. This section lists and illustrates replaceable or repairable component parts. The Illustrated Parts Catalog contains a complete explanation of the Boeing part numbering system.

2. Indentures show parts relationships as follows:

Assembly

Detail Parts for Assembly

Subassembly

Attaching Parts for Subassembly

Detail Parts for Subassembly

Detail Installation Parts (Included only if installation parts may be returned to shop as part of assembly)

3. One use code letter (A, B, C, etc.) is assigned in the EFF CODE column for each variation of top assembly. All listed parts are used on all top assemblies except when limitations are shown by use code letter opposite individual part entries.

4. Letter suffixes (alpha-variants) are added to item numbers for optional parts, Service Bulletin modification parts, configuration differences (except left- and right-hand parts), product improvement parts, and parts added between two sequential item numbers. The alpha-variant is not shown on illustrations when appearance and location of all variants of the part are the same.

5. Service Bulletin modifications are shown by the notations PRE SB XXXX and POST SB XXXX.

A. When a new top assembly part number is assigned by Service Bulletin, the notations appear at the top assembly level only. The configuration differences at detail part level are then shown by use code letter.

B. When the top assembly part number is not changed by the Service Bulletin, the notations appear at the detail part level.

6. Parts Interchangeability

Optional
(OPT)

The parts are optional to and interchangeable with other parts having the same item number.

Supersedes, Superseded By
(SUPSDS, SUPSD BY)

The part supersedes and is not interchangeable with the original part.

Replaces, Replaced By
(REPLS, REPLD BY)

The part replaces and is interchangeable with, or is an alternate to, the original part.

7. BOEING PROPRIETARY COLOR CODED PARTS

- A. Color-coded parts are identified with an alpha "SP" suffix. This entry represents consolidation of all color codes applicable for a given usage. Orders for color-coded parts should include the registry number of the airplane for which the parts are ordered."

78-31-41

ILLUSTRATED PARTS LIST
01.1 Page 1002
Sep 01/95

VENDORS

K0377 GOODRICH
STAFFORD ROAD
FORDHOUSES WOLVERHAMPTON WV10 7EH, UNITED KINGDOM
FORMERLY LUCAS AEROSPACE AND TRW

OPTK6 SPS TECHNOLOGIES INC AEROSPACE PRODUCTS DIV
5195 W 4700 SPO BOX 18459
KEARNS, UTAH 84118

00624 EATON AEROQUIP INC ENGINEERED SYSTEMS DIV
300 S EAST AVE
JACKSON, MICHIGAN 49203-1972
FORMERLY AEROQUIP ELBEE PLANT V99879 OR WESTERN PLANT
V70128; FORMERLY AEROQUIP AEROSP DIV JACKSON PLANT;
FORMERLY V11328 AEROQUIP LINAIR DIV

00779 TYCO ELECTRONICS CORP
2800 FULLING MILL ROAD PO BOX 3608
MIDDLETOWN, PENNSYLVANIA 17057
FORMERLY AMP INC; FORMERLY V04618

01673 AIRDROME PRECISION COMPONENTS
3251 E AIRPORT WAY PO BOX 1867
LONG BEACH, CALIFORNIA 90806-2407
FORMERLY AIRDROME PARTS CO

02005 HAYDON SWITCH AND INSTRUMENT, INCORPORATED
1500 MERIDEN ROAD
WATERBURY, CONNECTICUT 06705-3910

02660 AMPHENOL CORP INDUSTRIAL TECHNOLOGY DIV
358 HALL AVENUE PO BOX 384
WALLINGFORD, CONNECTICUT 06492
FORMERLY BUNKER RAMO CORP, ELTRA CORP AMPHENOL AND
AMPHENOL CORP COMM AND IND DIV

78-31-41

ILLUSTRATED PARTS LIST
01.1 Page 1003
Nov 01/03

VENDORS

02697 PARKER-HANNIFIN CORP SEAL GROUP O-RING DIV
2360 PALUMBO DRIVE PO BOX 11751
LEXINGTON, KENTUCKY 40509
FORMERLY V17506 IN CLEVELAND, OHIO
FORMERLY PARKER SEAL CO OF PARKER-HANNIFIN CORP O-RING DIV

03925 PARKER-HANNIFIN CORP STRATOFLEX AEROSPACE/MILITARY CONN DIV
17671 ARMSTRONG AVENUE PO BOX 16819
IRVINE, CALIFORNIA 92713-6819
FORMERLY IN HAWTHORNE AND SANTA ANA, CALIFORNIA
FORMERLY STRATOFLEX INCORPORATED

06324 GLENAIR INC
1211 AIR WAY
GLENDALE, CALIFORNIA 91201-2497

06725 AIR INDUSTRIES CORPORATION
12570 KNOTT STREET
GARDEN GROVE, CALIFORNIA 92641-3932
FORMERLY AIR INDUSTRIES OF CALIF IN GARDENA, CALIF.

06851 RESISTOFLEX CORP WESTERN DIV SEE RESISTOFLEX DIV OF
UNIDYNAMICS CORP V50599

06950 SCREWCORP VSI AEROSPACE PRODUCTS DIV FAIRCHILD IND DIV
13001 EAST TEMPLE AVENUE PO BOX 730
CITY OF INDUSTRY, CALIFORNIA 91746-1417
FORMERLY VB0096 AND VSI CORP SCREWCORP DIV
FORMERLY IN CULVER CITY, CALIFORNIA

07073 BEST DEVICES CO INC
10921 BRIGGS ROAD
CLEVELAND, OHIO 44111-5333

78-31-41

ILLUSTRATED PARTS LIST
01.1 Page 1004
Nov 01/03

VENDORS

07707 POP FASTENERS A BLACK & DECKER CO
510 RIVER ROAD
SHELTON, CONNECTICUT 06484-4517
FORMERLY VBO113, FORMERLY UNITED SHOE MFG CORP FASTENER DIV
FORMERLY USM CORP USM FASTENER DIV

08199 SIERRACIN-HARRISON
3020 EMPIRE AVENUE
BURBANK, CALIFORNIA 91504-3109
FORMERLY TECHNICAL IND INC OR HARRISON MFG CO DIV AXIAL CORP

08524 DEUTSCH FASTENER CORP SEE CODE V97928

08748 CRANE ELDEC CORP
16700 13TH AVE WEST
LYNNWOOD, WASHINGTON 98036
FORMERLY VB0043; FORMERLY ELECTRO DEVELOPMENT CORP;
FORMERLY ELDEC CORP.

08844 NORCO, INCORPORATED
139 ETHAN ALLEN HIGHWAY
RIDGEFIELD, CONNECTICUT 06877

11314 HUTCHINSON SEAL CORP
11634 PATTON RD
DOWNEY, CALIFORNIA 90241
FORMERLY FEDERAL MOGUL CORP; FORMERLY AMERICAN UNITED PROD

11328 AEROQUIP SEE EATON AEROQUIP V00624

11815 CHERRY AEROSPACE FASTENERS DIV OF TEXTRON
1224 EAST WARNER AVENUE PO BOX 2157
SANTA ANA, CALIFORNIA 92707-0157
FORMERLY IN LOS ANGELES, CALIF, FORMERLY CHERRY FASTENERS
TOWNSEND DIV OF TEXTRON INC V71087

12157 RESISTOFLEX CORP SOUTHWESTERN DIV
DALLAS, TEXAS 75207
BUSINESS DISCONTINUED

13556 LABINAL COMPONENTS AND SYS CINCH MILITARY AEROSPACE DIV
8821 SCIENCE CENTER DRIVE
MINNEAPOLIS, MINNESOTA 55428-3619
FORMERLY TRW CINCH MFG CO, FORMERLY IN NEW HOPE, MINNESOTA
FORMERLY CINCH CYLINDRICAL DIV OF LABINAL COMP & SYS

78-31-41

ILLUSTRATED PARTS LIST
01.1 Page 1005
Nov 01/03

VENDORS

- 14242 VOSS INDUSTRIES INC
2168 WEST 25TH STREET
CLEVELAND, OHIO 44113-4115
- 14397 FABER ENTERPRISES, INCORPORATED
6606 VARIEL AVE
CANOGA PARK, CALIFORNIA 91303-2808
- 14798 DEUTSCH CO METAL COMPONENTS DIV
14800 SOUTH FIGUEROA STREET
GARDENA, CALIFORNIA 90248-1719
FORMERLY WEATHERHEAD V79470 FOR AEROSPACE PRODUCTS
- 15653 FAIRCHILD FASTENERS KAYNAR PRODUCTS DIV
800 S STATE COLLEGE BLVD
FULLERTON, CALIFORNIA 92831-3001
FORMERLY VK6405 MICRODOT AEROSP LTD; FORMERLY KAYNAR TECH
KAYNAR DIV
- 16258 SPACE-LOK INC
13306 HALLDALE AVE
GARDENA, CALIFORNIA 90249-2204
FORMERLY V05704 ALAC INC
FORMERLY IN BURBANK, CA
- 17446 HUCK INTL INC AEROSPACE FASTENER DIV
900 WATSON CENTER ROAD
CARSON, CALIFORNIA 90745-4201
FORMERLY V32134 REXNORD INC; FORMERLY V97928 HUCK INTL
- 18076 UMPCO, INCORPORATED
7100 LAMPSON AVENUE PO BOX 5158
GARDEN GROVE, CALIFORNIA 92645
FORMERLY IN CITY OF INDUSTRY, CALIFORNIA

78-31-41

VENDORS

22175 J AND M PRODUCTS INC.
2435 NORTH NAOMI
BURBANK, CALIFORNIA 91504-3425

30974 AEROFIT PRODUCTS INC
8531 WHITAKER STREET
BUENA PARK, CALIFORNIA 90621-3129

41118 RMS COMPANY
8600 EVERGREEN BLVD
COON RAPIDS, MINNESOTA 55433-6036

49367 AMPHENOL CORP
40-60 DELAWARE AVE
SIDNEY, NEW YORK 13838-1395
FORMERLY PYLE-NATIONAL CO

5M902 FAIRCHILD IND INC FAIRCHILD AEROSPACE FASTENER DIV
3016 W LOMITA BLVD
TORRANCE, CALIFORNIA 90505-5103
FMLY IN REDONDO BEACH, CALIF

5T400 GRIMES AEROSPACE CO
550 STATE ROUTE 55
URBANA, OHIO 43078-9482

50599 CRANE RESISTOFLEX COMPANY
2575 WEST 5TH STREET
JACKSONVILLE, FLORIDA 22205
FORMERLY RESISTOFLEX DIV OF UNIDYNAMICS

50632 KAMATICS CORP SUB OF KAMAN CORP
1335 BLUE HILLS ROAD
BLOOMFIELD, CONNECTICUT 06002-1304

78-31-41

ILLUSTRATED PARTS LIST
01.1 Page 1007
Nov 01/03

VENDORS

50808 UNITED SUPPLY CO INC
3676 S BROADWAY PLACE
LOS ANGELES, CALIFORNIA 90007-4432

50948 PARKER-HANNIFIN CORP HUNTSVILLE AIRCRAFT FACILITY
9400 SOUTH MEMORIAL PARKWAY
HUNTSVILLE, ALABAMA 35802
FORMERLY PARKER-HANNIFIN CORP TUBE FITTINGS DIV

52828 REPUBLIC FASTENER MFG CORP
1300 RANCHO CONEJO BLVD
NEWBURY PARK, CALIFORNIA 91320-1405
FORMERLY IN SYLMAR, CALIFORNIA

53551 ALLFAST FASTENING SYSTEMS INC
15200 EAST DON JULIAN ROAD PO BOX 3166
CITY OF INDUSTRY, CALIFORNIA 91745-1001
FORMERLY V0736B
FORMERLY ALLFAST INC V5K545

56878 SPS TECHNOLOGIES INC AEROSPACE AND INDUSTRIAL PRODUCTS DIV
301 HIGHLAND AVE
JENKINTOWN, PENNSYLVANIA 19046
FORMERLY STANDARD PRESSED STEEL

57268 RAINER RUBBER CO
15660 NELSON PL SO
SEATTLE, WASHINGTON 98188

60119 MONADNOCK CO THE
18301 ARENTH AVENUE PO BOX 1222
CITY OF INDUSTRY, CALIFORNIA 91749
FORMERLY UNITED CARR FASTENER CORP VB0051 VB0056 VB0076
FORMERLY TRW ELECTRONIC COMPONENTS CINCH-MONADNOCK DIV
FORMERLY CINCH-MONADNOCK DIV OF TRW INC V76530

78-31-41

ILLUSTRATED PARTS LIST
01.1 Page 1008
Nov 01/03

VENDORS

60516 WEST COAST AEROSPACE INC
812 MIRAFLORES STREET
SAN PEDRO, CALIFORNIA 90731-1439

61498 SEE CODE V14798

62554 SIMMONDS MECAERO FASTENERS INC
1734 SEQUOIA AVENUE
ORANGE, CALIFORNIA 92668

66295 MICRODOT MFG WITTEK MFG DIV SEE EPICOR IND IDEAL DIV V81646

71087 BOOTS ACFT NUT DIV TOWNSEND CO SEE TEXTRON INC CHERRY
FASTENER TOWNSEND DIV V11815

72962 HARVARD INDUSTRIES INC
3 WERNER WAY SUITE 210
LEBANON, NEW JERSEY 08833
FORMERLY AMERACE CORP ESNA DIV
FORMERLY ELASTIC STOP NUT IN UNION, NJ

73197 HI-SHEAR TECHNOLOGY CORP
2600 SKYPARK DRIVE
TORRANCE, CALIFORNIA 90509

76530 CINCH-MONADNOCK DIV TRW SEE TRW ELECTRONIC COMP
TRW INC TRW ELECTRONIC COMPONENTS CINCH-MONADNOCK DIV SEE
MONADNOCK MILLS SEE CINCH-MONADNOCK DIV OF UNITED CARR
MONADNOCK CO THE V60119

78570 TITFLEX CORP SUB OF BUNDY CORP
603 HENDEE STREET PO BOX 90054
SPRINGFIELD, MASSACHUSETTS 01139

8W928 AEROQUIP CORP AEROSPACE DIV TOCCOA PLANT
MEADOWBROOK INDUSTRIAL PK PO BOX 819
TOCCOA, GEORGIA 30577-0819

80539 SPS TECHNOLOGIES INC AEROSPACE PRODUCTS DIV
2701 SOUTH HARBOR BOULEVARD PO BOX 1259
SANTA ANA, CALIFORNIA 92702-1259
FORMERLY NUTT-SHEL DIV OF SPC WESTERN CO V80539
AND STANDARD PRESSED STEEL WESTERN DIV V17279

78-31-41

VENDORS

- 83014 HARTWELL CORPORATION
900 SOUTH RICHFIELD ROAD
PLACENTIA, CALIFORNIA 92670-6732
FORMERLY V0532B IN LOS ANGELES, CALIFORNIA
- 83930 ADEL WIGGINS GROUP
5000 TRIGGS STREET
LOS ANGELES, CALIFORNIA 90022
FORMERLY ADEL PROD DIV OF DELAVAL TURBINE CALIF INC;
FORMERLY EXACTO IND V72285; FORMERLY DELAVAL ADEL FSTN DIV
FORMERLY TRANSAMERICA DELAVAL ADEL FTNRS DIV; FORMERLY IMO
DELAVAL IN HUNTINGTON, WV
- 84256 AVIBANK MANUFACTURING COMPANY
210 SOUTH VICTORY BLVD PO BOX 391
BURBANK, CALIFORNIA 91503
FORMERLY AVDEL INC AND ROWE SALES CO VB0001
FORMERLY PRICE, D.W. CORP LOS ANGELES, CALIFORNIA V97978
- 84971 TA MFG CO SUB OF ESTERLINE
28065 W FRANKLIN PKY
VALENCIA, CALIFORNIA 91355
FORMERLY IN LA, CALIF; SUB OF CRITON CORP, GLENDALE, CALIF
- 88334 WEATHERHEAD GLENDALE,CALIF SEE WEATHERHEAD CLEVELAND V79470
- 92003 PARKER-HANNIFIN CORPORATION
14300 ALTON PKWY
IRVINE, CALIFORNIA 92618
FORMERLY PARKER AIRCRAFT V02689;FORMERLY SCHULZ TOOL & MFG
V82267; FORMERLY PARKER-BERTEA AEROSPACE GROUP
- 92215 FAIRCHILD IND INC FAIRCHILD AEROSPACE FASTENER DIV
3010 W LOMITA BLVD
TORRANCE, CALIFORNIA 90505-5102
FORMERLY VOI-SHAN IN CULVER CITY, CALIF
- 93835 PARKER HANNIFIN CORP ABEX DIV
2220 PALMER AVENUE
KALAMAZOO, MICHIGAN 49001
FORMERLY NATIONAL WATERLIFE CO; FORMERLY PNEUMO CORP.;
FORMERLY NWL CONTROLS; FORMERLY ABEX NWL AEROSPACE
- 94581 NATIONAL UTILITIES CORP/NUCO
1700 HICKORY DRIVE PO BOX 14639
FORT WORTH, TEXAS 76117-6020
FORMERLY IN MONROVIA, CALIFORNIA; FORMERLY V2D588

78-31-41

ILLUSTRATED PARTS LIST
01.1 Page 1010
Nov 01/03

VENDORS

95272 STILLMAN SEL CORP
 6020 AVENIDA ENCINAS
 CARLSBAD, CALIFORNIA 92009-1001
 FORMERLY SARGENT IND

97928 SEE V17446 HUCK INTL
 HUCK INTL SEE V17446 HUCK INTL
 SEE V17446 HUCK INTL

98391 ARKWIN INDUSTRIES INC
 686 MAIN STREET
 WESTBURY, NEW YORK, 11590-5018

98996 OLYMPIA FASTENING INV SEE V53551

99862 CARR LANE MANUFACTURING COMPANY
 4200 CARR LANE CT
 ST. LOUIS, MISSOURI 63119-2129

78-31-41

ILLUSTRATED PARTS LIST
01.1 Page 1010A
 Nov 01/03

PART NUMBER	AIRLINE PART NO.	FIG.	ITEM	TTL REQ
AE2463835E0152		4	40	1
AE2463835E0160		4	35	1
		4	40A	1
AFP175V04		4	75	2
AFP175V06		3	160	6
		7	125	1
		7	145	2
		10	175	6
AFP175V06P		7	145A	2
AFP238-0405J		4	55	1
AFP238-0604J		7	165	1
AFP238-0806J		3	185	1
		10	205	1
AFP241-06J		3	210	1
		10	235	1
AFP241-12J		3	215	1
		10	230	1
AFP334-0404M		4	70	1
AFP941H6		7	135	1
AF5141-3C		8	135A	22
		11	80	22
AF5141-3C3		8	75	2
		8	110	22
		8	110A	12
AN3053-4		1	227	1
AN3054-4		1	230	1
AN3055-12-4		1	233	1
AN525-10R6		6	25	4
		15	25	4
AN742D4		1	248	1
AN924-4J		4	85	1
AN924-6J		7	155	1
AN924-8J		3	195	1
		10	215	1

78-31-41

 ILLUSTRATED PARTS LIST
 01.1 Page 1010B
 Nov 01/03

PART NUMBER	AIRLINE PART NO.	FIG.	ITEM	TTL REQ
AN960-516		3	275	6
		10	325	6
AN960-8L		1	379G	6
		1	410	6
AN960C10L		1	378M	12
		1	395	11
		4	15	6
		7	40	2
		8	20	2
AN960C10L		8	60	1
		8	62	5
		8	100	11
		8	102	6
		1	534	3
AN960C11		1	548	1
AN960C416		4	100	2
AN960C516		8	152	1
		11	105	1
		14	15	2
AN960C716		4	90	2
AN960C916		7	160	1
AN960KD10L		4	280	2
		6	75	4
		15	75	4
AN960KD1216		3	190A	2
AN960PD10		3	30	6
		3	32	10
		3	35	2
		7	90	3
		6	45	4
AN960XC4L		15	45	4
		4	55	1
APX832-0405J		7	165	1
APX832-0604J		3	185	1
APX832-0806J		10	205	1
		7	165	1
APX832J0604		3	185	1
APX832J0806		10	205	1
APX932J0405		4	55	1
AP1004H06		7	135	1
AP1008-06J		3	210	1
		10	235	1

78-31-41

ILLUSTRATED PARTS LIST
01.1 Page 1010C
Nov 01/03

PART NUMBER	AIRLINE PART NO.	FIG.	ITEM	TTL REQ
AP1008-12J		3	215	1
		10	230	1
AP1010-0404M		4	70	1
AP1042JN0606		10	185	1
AP2097-04H		4	75	2
AP2097-06H		3	160	6
		7	125	1
		7	145	2
		10	175	6
AP2097-06HP		7	145A	2
AS118E0150AAN		7	170	1
AS119G0151DDN		3	200	1
		10	220	1
AS119G0181CCN		3	205	1
		10	225	1
AS152G0151DDN		3	200	1
		10	220	1
AS152G0181CCN		3	205	1
		10	225	1
AS161E0150AAN		7	170	1
AS568-906S32		7	117	1
A2724-3		1	371	1
		2	55	1
A6501-3		1	371G	1
		14	55	1
BACB28AK05-036		1	350	1
		14	25	1
BACB28AK05-038		3	280	3
BACB28X7M020		1	347	1
		14	20	1
BACB30FN5A4		1	379C	6
		1	407	6
		8	165	6
		11	120	6
BACB30LH3-11		1	317A	2
BACB30LH3-7		1	305A	2
BACB30LJ5-18		1	344	1
		14	10	1
BACB30LK3-2		4	275	2
		6	70	4
		15	70	4
BACB30LL3-3		1	44	3
		1	74	4
		1	116	3
BACB30LL3-5		1	125A	2
BACB30LM3-21		3	25	2

78-31-41

 ILLUSTRATED PARTS LIST
 01.1 Page 1010D
 Nov 01/03

PART NUMBER	AIRLINE PART NO.	FIG.	ITEM	TTL REQ
BACB30LM3-22		3	20	6
		3	22	10
BACB30LM3U4		7	85	3
BACB30LM4		3	235A	6
		10	275	6
BACB30LM4-4		1	359	2
		14	40	2
BACB30MY5K2		1	602	6
BACB30MY5K3		1	503	4
		7	175	4
BACB30MY5K4		7	240	2
BACB30MY6K3		1	515	4
BACB30MY6K4		9	70	4
BACB30MY6K6		1	611	8
BACB30NM3K		4	11	4
		11	65	7
BACB30NM3K3		8	15	1
		8	55	1
		8	57	2
		11	15	1
		11	45	1
		1	113A	2
BACB30NM3K5		8	10	1
		8	52	3
		8	55A	1
		8	87	5
		8	95	7
		11	10	1
		11	60	4
		1	113P	1
BACB30NM3K6		8	90	4
		8	92	1
		4	95	2
BACB30NM4K15		1	29	2
BACB30NN4K2		1	131	2

78-31-41

ILLUSTRATED PARTS LIST
01.1 Page 1010E
Nov 01/03

PART NUMBER	AIRLINE PART NO.	FIG.	ITEM	TTL REQ
BACB30NN4K4		1	38	3
		1	122	6
		1	134A	6
BACB30NN4K5		1	35	4
BACB30NN4K7		1	26	6
BACB30NR4DK21		1	438	6
BACB30NT3K2		2	5	2
BACB30NT3K6		1	113Q	1
BACB30NW6K		7	15	1
BACB30NW6K18		7	330	7
		7	335	7
BACB30NW6K19		7	195	7
		7	265	3
BACB30NW6K21		7	215	2
BACB30NX5K3		7	305	4
BACB30NY8K22		1	446	24
BACB30VF3K9		1	113H	1
BACC10BN288L5ME		3	220K	1
		10	255	1
BACC10EP6		7	105	7
BACC10GE12C		7	65	1
BACC10GE4		4	25	6
BACC10GT2-04P		4	30	12
BACC10GT2-06		7	110	14
BACC10GT3-04		4	32	7
		4	33	1
BACC10GT3-06		10	145	1
BACC10GU		4	27	1
		4	28	1
		12	38	16
		12	39	2
		13	36	9
		13	37	2
		13	38	10

78-31-41

 ILLUSTRATED PARTS LIST
 01.1 Page 1010F
 Nov 01/03

PART NUMBER	AIRLINE PART NO.	FIG.	ITEM	TTL REQ
BACC10GW0275-OE		3	220J	1
		10	255A	1
BACC10GY300		7	30	2
BACC10HS20		1	590	4
BACC10HS6		7	100	7
BACC13Y3B42		2	30	1
BACC14AD06J		3	210	1
		10	235	1
BACC14AD12J		3	215	1
		10	230	1
BACC30M5		1	379K	6
		1	413	6
		1	506	4
		1	605	6
		7	180	4
		7	245	2
		8	170	6
		11	125	6
BACC30M6		1	518	3
BACC30M6		1	614	8
		7	20	1
		7	200	7
		7	220	2
		7	275	3
		7	340	2
		9	75	4
BACC30M8		1	449	24
BACC30X5S		7	310	4
BACC45FM14-7P		6	55	1
		15	55	1
BACC63BP14S7PNL		3	247A	2
BACD40B3-9-5-30		7	75	1
BACD40D5-37-30		1	593	1
BACE21AU0606		3	170	1
BACE21AW0404M		4	70	1
BACE21BR0606P		10	190A	1

78-31-41

ILLUSTRATED PARTS LIST
01.1 Page 1010G
Nov 01/03

PART NUMBER	AIRLINE PART NO.	FIG.	ITEM	TTL REQ
BACE21BT0606JN		10	185	1
BACF22U2		2	35	1
BACF3F010T021NN		1	128	1
BACF3T05E9C9		1	59H	1
BACH5M0150AAN		7	170	1
BACH6P0151DDN		3	200	1
		10	220	1
BACH6P0181CCN		3	205	1
		10	225	1
BACJ40A21-8		7	25	1
BACN10CS06J		3	165	6
		10	180	6
BACN10JC		12	13	4
		13	98	4
BACN10JC3		4	20	6
		7	95	3
BACN10JC3CD		1	245A	1
		2	10	2
BACN10JC3CM		1	535	1
		1	554	1
		3	55	2
		7	60	1
		10	25	6
BACN10JC4CM		7	10	1
BACN10JD105		3	285	3
		10	330	3
BACN10JD4AU		1	442	6
BACN10JN3		1	323	2
BACN10JN4CD		1	164A	2
BACN10JP3BCM		7	290	2
BACN10JR3		1	620	4
BACN10JR3CD		8	80	1
		8	140	11
		11	85	11
BACN10JR3CFM		1	58H	3
		1	76	4
		1	149	3
		1	162	2
BACN10JR3CM		8	35	1
		8	115	11
		8	115A	6
		11	35	1
BACN10JR4CFM		1	40	3
		1	57H	2
		1	58A	1
		1	152	4
		1	164	2

78-31-41

 ILLUSTRATED PARTS LIST
 01.1 Page 1010H
 Nov 01/03

PART NUMBER	AIRLINE PART NO.	FIG.	ITEM	TTL REQ
BACN10KB4CFM		1	57P	1
		1	58	1
BACN10KJ3		6	85	4
		15	85	4
BACN10XP1		6	50	4
		15	50	4
BACN10YR08CD		1	659	6
BACN10YR3CD		1	674	6
		10	20A	8
		10	25A	6
BACN10YR3CM		3	50A	16
		4	22	2
		4	23	1
		10	20	8
		10	140	1
		12	36	15
		12	37	1
		13	40	6
		13	42	8
		13	43	10
BACP11K6		7	117	1
BACP18AN3-22		1	532A	1
BACP18T5-52		8	150	1
BACP18T5-52		11	100	1
BACR15BA3AD		1	39	6
		1	75	8
		1	146	14
		1	161	8
		1	320	4
BACR15BA3AD3R5		8	30	2
		11	30	2
BACR15BA5A		1	66A	4
BACR15BA5AD		1	57	14
		1	66B	4
		1	67R	4
		1	166Q	12
		1	179	12
		4	285	4
		15	92	4
BACR15BA5B		1	95	11
		1	165	12
BACR15BB3AD		1	575	4
		6	80	8
		15	80	8

78-31-41

PART NUMBER	AIRLINE PART NO.	FIG.	ITEM	TTL REQ
BACR15BB4AD		6	105	4
		15	105	4
BACR15BB5AD		9	20	7
		9	50	10
BACR15CE3D		1	617A	8
BACR15CE3M		7	285	4
BACR15CE4M		10	360	1
BACR15CE5D		1	58P	5
BACR15CE6D		1	59A	2
BACR15DR3AC		8	135A	22
		11	80	22
BACR15DR3AC3		8	75	2
		8	110	22
		8	110A	12
BACR15FT6KE		9	15	9
		9	45	9
BACS12BP3AP9		1	437	6
BACS12CB04-5		6	40	4
		15	40	4
BACS12CK3-7		1	221	2
BACS12CK3U8		1	584	4
BACS12CK3U8		7	35	2
		7	55	1
		7	80	5
BACS12CK4U8		7	5	1
BACS13BX04H		4	75	2
BACS13BX06H		3	160	6
		7	125	1
		7	145	2
		10	175	6
BACS13BX06HP		7	145A	2

78-31-41

 ILLUSTRATED PARTS LIST
 01.1 Page 1010J
 Nov 01/03

PART NUMBER	AIRLINE PART NO.	FIG.	ITEM	TTL REQ
BACS18AF3		4	14	2
BACS40R006E034F		10	125	3
BACS40R006W044		7	50	1
BACS40R009C015F		7	315	2
BACS40R009C035F		1	47A	1
BACS40R010C028F		1	119A	1
BACS40R010E021F		1	128A	1
BACS40R011C052F		1	41A	1
BACS40R014B041F		1	32A	1
BACS40R10C17F		7	230	1
BACS40R13D52F		1	452A	6
BACS40R6F22F		3	72A	1
BACS40R6F24F		3	115	4
BACS40R6F34F		3	130	2
BACS40R6F44F		3	70	2
BACT11SH18F		3	290	4
		10	340	4
BACU24AA0405J		4	55	1
BACU24AA0604J		7	165	1
BACU24AA0806J		3	185	1
		10	205	1
BACU24AB6H		7	135	1
BACW10BN6SP		7	270	3
BACW10BP2NDP		1	656	6
BACW10BP3ACU		3	221R	2
		10	245	2
BACW10BP3DP		1	224	2
		1	671	6
BACW10P186C		1	441	6
BAC27EPP0476		1	683	1
BAC27ETR10		15	165A	1

78-31-41

ILLUSTRATED PARTS LIST
01.1 Page 1010K
Nov 01/03

PART NUMBER	AIRLINE PART NO.	FIG.	ITEM	TTL REQ
BAC27ETR11		15	170A	1
BAC27TPP0489		12	45	1
BAC27TPP0490		12	50	1
		13	110	1
BAC27TPP0492		13	115	1
BAC27TPP0493		7	350	1
BAC27TPP0494		7	355	1
BAC27TTR0001		6	130	1
		15	130	1
BAC27TTR0002		6	135	1
		15	135	1
BAC27TTR0003		6	140	1
		15	140	1
BAC27TTR0004		6	155	1
		15	155	1
BAC27TTR0006		1	527	1
		4	310	1
		6	160	1
		15	160	1
BAC27TTR0008		15	145A	1
BAC27TTR0009		15	150A	1
BAC27TTR0012		6	165	1
		15	165	1
BAC27TTR0013		6	170	1
		15	170	1
BAC27TTR0016		1	296	1
BAC27TTR0017		1	278	1
BAC27TTR0018		1	287	1
BAC27TTR0043		2	60	1
BAC27TTR0045		1	299A	1
BAC27TTR0046		1	302A	1
BAC27TTR0047		1	290A	1
BAC27TTR0048		1	293A	1
BAC27TTR0049		1	281A	1
BAC27TTR0050		1	284A	1
BAC27TTR0051		6	145	1
		15	145	1
BAC27TTR0052		6	150	1
		15	150	1
BAC27TTR59		3	295	1
		10	375	1

78-31-41

 ILLUSTRATED PARTS LIST
 01.1 Page 1010L
 Nov 01/03

PART NUMBER	AIRLINE PART NO.	FIG.	ITEM	TTL REQ
BAC27TTR60		3	300	1
		10	380	1
BAC27TTR61		3	305	1
		12	55	1
BAC27TTR62		3	310	1
		12	60	1
BAC27TTR69		3	315	1
		12	65	1
		15	175	1
BAC27TTR70		3	320	1
		12	70	2
		15	180	1
BAC27TTR71		1	290C	1
		1	293C	1
BAC27TTR72		1	281C	1
		1	284C	1
BCREFA4913		1	3G	RF
BCREFA4914		1	7F	RF
BCREFA4954		1	3H	RF
BCREFA4955		1	7G	RF
BLC4BC18S		2	20A	1
BLDS3-22		1	532A	1
BRFM20A3		1	323	2
BRFM20C4D		1	164A	2
BRF100C4M		1	57P	1
		1	58	1
BRF200C3M		1	58H	3
		1	76	4
		1	149	3
BRF200C4M		1	162	2
		1	40	3
		1	57H	2
		1	58A	1
		1	152	4
BRH10A3		1	164	2
		4	20	6
		7	95	3
BRH10C3D		1	245A	1
		2	10	2
BRH10C3M		1	535	1
		1	554	1
BRH10C3M		3	55	2
		7	60	1
		10	25	6
BRH10C4M		7	10	1
BRM100C3M		7	290	2
BR2000A3		1	620	4

78-31-41

ILLUSTRATED PARTS LIST
01.1 Page 1010M
Nov 01/03

PART NUMBER	AIRLINE PART NO.	FIG.	ITEM	TTL REQ
BR2000C3D		8	80	1
		8	140	11
		11	85	11
BR2000C3M		8	35	1
		8	115	11
		8	115A	6
		11	35	1
		1	602	6
B30MY5K2		1	503	4
B30MY5K3		7	175	4
B30MY5K4		7	240	2
B30MY6K3		1	515	4
B30MY6K4		9	70	4
B30NW6K18		7	330	7
		7	335	7
B30NW6K19		7	195	7
		7	265	3
B30NW6K21		7	215	2
B307BBB0150CN		7	170	1
B464DDD0181CN		3	200	1
		3	205	1
CCR264CS3-3IT		10	220	1
		10	225	1
		8	75	2
CL4BLPB1-8S		8	110	22
		8	110A	12
		2	20	1
CL4F		2	35	1
C48-00R14-7P102		6	55	1
		15	55	1
DBOC14AD06J		3	210	1
		10	235	1
DBOC14AD12J		3	215	1
		10	230	1
DBOE21AW0404M		4	70	1
DBOS13BX04H		4	75	2
DBOS13BX06H		3	160	6
		7	125	1
DBOS13BX06H		7	145	2
		10	175	6
DBOS13BX06HP		7	145A	2
DBOU24AA0405J		4	55	1
DBOU24AA0604J		7	165	1
DBOU24AA0806J		3	185	1
		10	205	1

78-31-41

 ILLUSTRATED PARTS LIST
 01.1 Page 1010N
 Nov 01/03

PART NUMBER	AIRLINE PART NO.	FIG.	ITEM	TTL REQ
DBOU24AB6H		7	135	1
ER10633M0404		4	70	1
ER10633M0404M		4	70	1
ER832-0405J		4	55	1
ER832-0604J		7	165	1
ER832-0806J		3	185	1
		10	205	1
FER1569-0404M		4	70	1
FER1579-0405J		4	55	1
FER1579-0604J		7	165	1
FER1579-0806J		3	185	1
		10	205	1
FER22661-06J		3	210	1
		10	235	1
FER22661-12J		3	215	1
		10	230	1
F2001-4		1	57P	1
		1	58	1
F5001-3BAC		1	58H	3
		1	76	4
		1	149	3
		1	162	2
F5001-4BAC		1	40	3
		1	57H	2
		1	58A	1
		1	152	4
		1	164	2
G9166S1404-3NF		3	249A	2
HL10VAZ5-2		1	602	6
HL10VAZ5-3		1	503	4
		7	175	4
HL10VAZ5-4		7	240	2

78-31-41

ILLUSTRATED PARTS LIST
01.1 Page 10100
Nov 01/03

PART NUMBER	AIRLINE PART NO.	FIG.	ITEM	TTL REQ
HL10VAZ6-3		1	515	4
HL10VAZ6-4		9	70	4
HL10VAZ6-6		1	611	8
HL1012AZ5-3		7	305	4
HL11VAZ6-18		7	330	7
		7	335	7
HL11VAZ6-19		7	195	7
		7	265	3
HL11VAZ6-21		7	215	2
HL1187DU5		7	310	4
HL12VAZ5-3		7	305	4
HL13VAZ8-22		1	446	24
HL13V22		1	446	24
HL19-5A4		1	379C	6
		1	407	6
		8	165	6
		11	120	6
HL41PY5-4		1	379C	6
		1	407	6
		8	165	6
		11	120	6
HL441N5-4		1	379C	6
		1	407	6
		8	165	6
		11	120	6
HL441UC5-4		1	379C	6
		1	407	6
		8	165	6
		11	120	6
HL70-5		1	379K	6
		1	413	6
		1	506	4
		1	605	6
		7	180	4
		7	245	2
		8	170	6
		11	125	6

78-31-41

 ILLUSTRATED PARTS LIST
 01.1 Page 1010P
 Nov 01/03

PART NUMBER	AIRLINE PART NO.	FIG.	ITEM	TTL REQ	
HL79-5		1	379K	6	
		1	413	6	
		1	506	4	
		1	605	6	
		7	180	4	
		7	245	2	
		8	170	6	
		11	125	6	
	HL79-6		1	518	3
			1	614	8
			7	20	1
		7	200	7	
		7	220	2	
		7	275	3	
		7	340	2	
		9	75	4	
HL79-8			1	449	24
HL86DU5			7	310	4
HL87DU5		7	310	4	
H01-3BAC		1	535	1	
		1	554	1	
		3	55	2	
		7	60	1	
		10	25	6	
H01-4BAC		7	10	1	
H10-3BAC		4	20	6	
		7	95	3	
		1	422	1	
H2626-35		8	185	1	
		11	140	1	
		1	379U	1	
H2865-17		1	425A	1	
		8	190	1	
		11	145	1	
		1	379V	1	
H2865-19		1	425B	1	
		8	190A	1	
		11	145A	1	
		11	145A	1	

78-31-41

ILLUSTRATED PARTS LIST
01.1 Page 1010Q
Nov 01/03

PART NUMBER	AIRLINE PART NO.	FIG.	ITEM	TTL REQ
H51650-3BAC		1	245A	1
H51650-3BAC		2	10	2
H52732-08CD		1	659	6
H52732-3CD		1	674	6
		10	20A	8
		10	25A	6
H52732-3CM		3	50A	16
		4	22	2
		4	23	1
		10	20	8
		10	140	1
		12	36	15
		12	37	1
		13	40	6
		13	42	8
		13	43	10
JM44LC13WH12R		7	65	1
JM44LC13WS4R		4	25	6
KJB301504B		1	629	6
K1000-3BAC		1	620	4
K1001-3BAC		8	35	1
		8	115	11
		8	115A	6
		11	35	1
K51601-3BAC		8	80	1
		8	140	11
		11	85	11
LA3EW22		1	532A	1
LER832-0405J		4	55	1
LER832-0604J		7	165	1
LER832-0806J		3	185	1
		10	205	1
L8006K6		1	611	8
L801-8K22		1	446	24
L802-5K3		7	305	4
L803-6K18		7	330	7
		7	335	7
L803-6K19		7	195	7
		7	265	3

78-31-41

 ILLUSTRATED PARTS LIST
 01.1 Page 1010R
 Nov 01/03

PART NUMBER	AIRLINE PART NO.	FIG.	ITEM	TTL REQ
L803-6K21		7	215	2
L839-5A4		1	379C	6
		1	407	6
		8	165	6
		11	120	6
MF1000-3BAC		1	323	2
MF51637-4		1	164A	2
MF53049-3		1	323	2
MF53050-4CD		1	164A	2
MF6000-3		6	85	4
		15	85	4
MK2001-3BAC		7	290	2
MS17984C418		2	20B	1
MS20613-6C30		2	45	1
MS21042L3		12	30	4
		13	70	2
		13	95	1
MS21141-0603P		7	300	3
MS21209F8-10		1	509	1
		4	295	1
		6	95	1
		15	95	1
MS21340-05		1	200	2
MS21902J4		4	60	1
MS21902J6		7	115	1
MS21919WCH28		2	40	2
MS21919WCH5		2	15	2
MS21921-4J		4	80	2
MS21921-6J		7	130	1
		7	150	2
MS244665-151		1	433	6
MS24665-153		3	265	3
		10	315	3
MS24665-300		8	147	1
		11	95	1
MS25224-3		6	10	2
		15	10	2
MS27253-2		1	578	1
MS27980-1N		1	557A	1
MS27980-6N		1	558	1
MS27980-7N		1	559	1
MS27980-8N		1	560A	1
MS35338-43		12	15	1
		13	55	2
		13	80	1

78-31-41

ILLUSTRATED PARTS LIST
01.1 Page 1010S
Nov 01/03

PART NUMBER	AIRLINE PART NO.	FIG.	ITEM	TTL REQ
MS35650-305T		12	25	1
		13	65	2
		13	90	1
MS35842-11		7	70	2
M83248-1-012		4	65	1
NAS1149C0332J		12	33	15
		12	34	1
		13	22	8
		13	27	10
NAS1149C0332R		4	17	7
		4	18	1
		10	135	1
		11	20	2
		11	50	1
		11	70	11
		13	20	7
NAS1149D0316H		13	25	3
		12	20	6
		13	60	6
		13	85	3
NAS1149D0316J		1	266A	2
		1	269B	2
NAS1149D0363J		1	269C	2
		3	32A	10
		10	15	14
NAS1149D1016J		1	206A	2
NAS1149D1290J		3	190B	2
		10	210	2
NAS1149E0563P		10	325A	6
NAS1149E1290P		10	210A	2
NAS1149F0332P		1	239A	1
		1	242A	1
NAS1200-6		8	180A	8
		11	135	8

78-31-41

 ILLUSTRATED PARTS LIST
 01.1 Page 1010T
 Nov 01/03

PART NUMBER	AIRLINE PART NO.	FIG.	ITEM	TTL REQ
NAS1200-6-8		1	379Q	8
		1	419A	8
NAS1714C2-10S		1	637B	4
NAS1716C48M		7	45	1
NAS1756-24		1	537	1
		1	563	1
NAS1801		12	12	4
		13	97	4
NAS1801-3		4	12	3
		4	13	1
		12	10	1
		12	31	15
		12	32	1
		13	10	6
		13	12	8
		13	15	3
		13	17	10
		13	50	2
		13	75	1
NAS1801-3-12		1	263	2
NAS1801-3-7		10	130	1
NAS1804-4		4	105	2
NAS1805-3L		1	272A	2
NAS43DD3-15		1	551	1
NAS43DD3-15FC		13	45	1
NAS43DD3-24		1	536A	1
NAS43DD3-60		10	30	10
NAS43DD3-60FC		10	30A	10
		10	35	6
NAS43DD3-68		3	40	16
		3	45	2
NAS514P1032-12		1	668	6
NAS514P832-16		1	653	6
NAS577-5A		1	353	1
		14	30	1

78-31-41

ILLUSTRATED PARTS LIST
01.1 Page 1010U
Nov 01/03

PART NUMBER	AIRLINE PART NO.	FIG.	ITEM	TTL REQ
NAS578-5A		1	356	1
		14	35	1
NAS603-11P		1	533A	1
NAS603-22P		1	545	1
NAS603-8P		1	236	1
NAS6703-20		3	22B	10
		10	10A	16
NAS6703-22		3	22A	10
		10	10	16
NAS6703-3		1	378J	12
		1	392	11
		4	10	6
NAS6703-6		1	50	3
NAS6703-7		1	113	2
NAS6703U1		3	221H	2
		10	240	2
NAS6704-2		10	275A	6
NAS6705D18		3	270	3
		10	320	3
NAS74A5E006P		10	335	3
NM102701300		7	30	2
NS103185SE048		1	57P	1
		1	58	1
NS103198SE02		7	290	2
NS103202-02		1	620	4
NS103202SE02		8	35	1
		8	115	11
		8	115A	6
		11	35	1
NS103203SE02		1	58H	3
		1	76	4
		1	149	3
		1	162	2
NS103203SE048		1	40	3
		1	57H	2
		1	58A	1
		1	152	4
		1	164	2

78-31-41

 ILLUSTRATED PARTS LIST
 01.1 Page 1010V
 Nov 01/03

PART NUMBER	AIRLINE PART NO.	FIG.	ITEM	TTL REQ
NS103218-02		1	323	2
NS202101-02		4	20	6
		7	95	3
NS202101SE02		1	535	1
		1	554	1
		3	55	2
		7	60	1
		10	25	6
NS202439-02		8	80	1
		8	140	11
		11	85	11
NS202486-02		1	245A	1
		2	10	2
NS202487-048		1	164A	2
PDVC1137300		7	30	2
PLH508CD		1	659	6
PLH53CD		1	674	6
		10	20A	8
		10	25A	6
PLH53CM		3	50A	16
		4	22	2
		4	23	1
PLH53CM		10	20	8
		10	140	1
		12	36	15
		12	37	1
		13	40	6
		13	42	8
		13	43	10
RC1108		1	362	1
		14	45	1
RMA9201-3		1	620	4
RMF9201M3		1	323	2
RMLH9075-3W		4	20	6
		7	95	3
RV541A3C3		8	75	2
		8	110	22
		8	110A	12
R071014S7PNL		3	247A	2
R071914-7P		6	55	1
		15	55	1

78-31-41

ILLUSTRATED PARTS LIST
01.1 Page 1010W
Nov 01/03

PART NUMBER	AIRLINE PART NO.	FIG.	ITEM	TTL REQ
R1131-906		7	117	1
R8918M0150AAN		7	170	1
R89180150AAN		7	170	1
R8947P0151DDN		3	200	1
		10	220	1
R8947P0181CCN		3	205	1
		10	225	1
R8963P0151DDN		3	200	1
		10	220	1
R8963P0181CCN		3	205	1
		10	225	1
R8963P0181DDN		3	200	1
		10	220	1
SLDS3R22		1	532A	1
SSD66SSBS		2	50	3
STBC10GG38-48		1	587	2
S283T006-7		1	215	1
S283T006-7		1	218	1
S314T220-3		1	362	1
		14	45	1
S315N370-2		3	222R	1
		10	250A	1
S315N370-3		10	250	1
S315T101-2		1	422	1
		8	185	1
		11	140	1
S315T101-4		1	379U	1
		1	425A	1
		8	190	1
		11	145	1
S315T106-3		7	190	1
S315T360-29		3	255	2
S315T360-31		3	255A	2
S315T360-35		3	180	2
		10	200	2
S315T360-37		3	260A	1
		10	350A	1
S315T360-39		3	255C	2
		10	345A	2
S315T360-42		3	260B	1
		10	350B	1
S315T360-48		3	260F	1
		10	350	1
S315T360-49		3	255F	2
		10	345	2
S315T360-5		3	175	2
		10	195	2

78-31-41

 ILLUSTRATED PARTS LIST
 01.1 Page 1010X
 Nov 01/03

PART NUMBER	AIRLINE PART NO.	FIG.	ITEM	TTL REQ
S315T360-7		3	220	1
S315T366-2		1	371	1
		2	55	1
S315T366-9		1	371G	1
S315T366-9		14	55	1
S369WHSS12		7	65	1
S369WH4		4	25	6
S500-20		1	590	4
TA025041-06		13	30	10
TA027016-06		13	35	3
TA12C32WH12		7	65	1
TA12C32WS4		4	25	6
TY1878-21		3	222R	1
		10	250A	1
TY1878-22		10	250	1
T6C1032JCD		1	245A	1
		2	10	2
T6C1032JM		1	535	1
		1	554	1
		3	55	2
		7	60	1
		10	25	6
T6C428JM		7	10	1
T6S1032J		4	20	6
		7	95	3
T8081C1032		7	290	2
T8088S1032		1	620	4
T8089C1032		8	35	1
		8	115	11
		8	115A	6
		11	35	1
T8092C1032		1	58H	3
		1	76	4
		1	149	3
		1	162	2
T8092C428		1	40	3
		1	57H	2
		1	58A	1
		1	152	4
		1	164	2
T8113C428C		1	57P	1
		1	58	1
T8301C428CD		1	164A	2
US2103-06J		3	210	1
		10	235	1

78-31-41

ILLUSTRATED PARTS LIST
01.1 Page 1010Y
Nov 01/03

PART NUMBER	AIRLINE PART NO.	FIG.	ITEM	TTL REQ
US2103-12J		3	215	1
		10	230	1
US2109-0404M		4	70	1
US2113-0405J		4	55	1
US2113-0604J		7	165	1
US2113-0806J		3	185	1
		10	205	1
VN102A1-02		1	620	4
VN102D1-02		8	35	1
		8	115	11
		8	115A	6
		11	35	1
VN151D1-048		1	57P	1
		1	58	1
VN152D1-02		1	58H	3
		1	76	4
		1	149	3
		1	162	2
VN152D1-048		1	40	3
		1	57H	2
		1	58A	1
		1	152	4
		1	164	2
		7	290	2
VN201D1-02		1	323	2
VN252A02		4	20	6
VN303A02		7	95	3
		1	535	1
VN303D02		1	554	1
		3	55	2
		7	60	1
		10	25	6

78-31-41

 ILLUSTRATED PARTS LIST
 01.1 Page 1010Z
 Nov 01/03

PART NUMBER	AIRLINE PART NO.	FIG.	ITEM	TTL REQ
VN303D048		7	10	1
WWD38-48H		1	587	2
W30833-0404M		4	70	1
ZZYAC1714-7P		6	55	1
		15	55	1
0111153-007		4	110	1
025029-06		7	100	7
025029-20		1	590	4
102A9201-3		8	80	1
		8	140	11
		11	85	11
102F9201M4		1	164A	2
102LH9075-3W		1	245A	1
102LH9075-3W		2	10	2
109A9201-3		8	35	1
		8	115	11
		8	115A	6
		11	35	1
109A9207M3		7	290	2
109F9201-3		1	58H	3
		1	76	4
		1	149	3
		1	162	2
109F9201-4		1	40	3
		1	57H	2
		1	58A	1
		1	152	4
		1	164	2
109F9207-4		1	57P	1
		1	58	1
109LH9075-3W		1	535	1
		1	554	1
		3	55	2
		7	60	1
		10	25	6

78-31-41

PART NUMBER	AIRLINE PART NO.	FIG.	ITEM	TTL REQ
109LH9075-4W		7	10	1
132003		6	50	4
		15	50	4
14J29300		7	30	2
150701-06		7	117	1
16		1	587	2
2-01027-6H		7	135	1
2-010890405J		4	55	1
2-010890604J		7	165	1
2-010890806J		3	185	1
		10	205	1
2-02813-06J		3	210	1
		10	235	1
2-02813-12J		3	215	1
		10	230	1
2-02903-04H		4	75	2
2-02903-06H		3	160	6
		7	125	1
		7	145	2
		10	175	6
2-02903-06HP		7	145A	2
2190000-13		3	255	2
2190000-15		3	255A	2
2190000-21		3	255C	2
		10	345A	2
2190000-23		3	255F	2
		10	345	2
2190000-28		3	260A	1
		10	350A	1
2190000-30		3	260B	1
		10	350B	1
2190000-46		3	260F	1
		10	350	1
286T3526		1	641	1
286T3526-044		12	43	1
286T3528		1	638	1
		1	938D	1
286T3528-044		12	41	1

78-31-41

 ILLUSTRATED PARTS LIST
 01.1 Page 1012
 Nov 01/03

PART NUMBER	AIRLINE PART NO.	FIG.	ITEM	TTL REQ
286T3530		1	644	1
286T3530-049		13	100	1
286T3530-050		13	100A	1
286T3532		1	647	1
286T3532-049		13	105	1
286T3532-050		13	105A	1
3-906S383-70		7	117	1
314U4009-11		1	10F	RF
315T1604-2		1	332	1
315T1604-3		1	572	1
315T1604-4		1	539A	1
315T1604-5		1	332B	1
315T1604-6		1	332C	1
315T3001-13		1	443	12
315T3102-1		1	455	6
315T3102-2		1	461	6
315T3102-6		1	455B	6
315T3120-22		7	235	1
315T3120-25		7	260	1
315T3120-37		7	185	1
315T3122-3		7	205	1
315T3127-12		7	210	1
315T3128-11		7	120	1
315T3128-19		7	250	1
315T3128-20		7	225	1
315T3128-24		7	345	1
315T3128-25		7	140A	1
315T3128-27		1	635	1
		7	1	RF
315T3128-3		7	140	1
315T3130-2		7	280	1
315T3130-21		7	320	2
315T3130-22		7	325	1
315T3130-4		7	255	1
315T3130-7		7	295	1
315T3154-10		9	60	1
315T3154-20		4	50	1
315T3154-29		1	482A	1
		4	1A	RF
315T3154-3		4	45	1
315T3154-30		1	485A	1
		4	5A	RF
315T3154-31		4	270	1
315T3154-37		9	80	1
315T3154-47		4	47	1

78-31-41

ILLUSTRATED PARTS LIST
01.1 Page 1012A
Nov 01/03

PART NUMBER	AIRLINE PART NO.	FIG.	ITEM	TTL REQ
315T3154-48		4	52	1
315T3154-49		4	48A	1
315T3154-50		4	53	1
315T3154-51		1	482D	1
		4	1B	RF
315T3154-52		1	485D	1
		4	5B	RF
315T3154-53		4	24	4
315T3154-54		9	10	1
315T3154-55		9	40	1
315T3154-56		9	35	1
315T3154-57		9	65	1
315T3154-59		9	1A	RF
315T3154-60		9	5	RF
315T3154-61		4	1C	RF
315T3154-62		4	5C	RF
315T3154-63		9	1D	RF
315T3154-64		9	5C	RF
315T3154-65		9	1E	RF
315T3154-66		9	5D	RF
315T3154-67		9	1F	RF
315T3154-68		9	5E	RF
315T3154-69		9	1G	RF
315T3154-70		9	5F	RF
315T3154-71		9	1B	RF
315T3154-72		9	5A	RF
315T3154-73		9	1C	RF
315T3154-74		9	5B	RF
315T3154-75		4	1F	RF
315T3154-76		4	5F	RF
315T3154-77		4	1G	RF
315T3154-78		4	5G	RF
315T3154-79		4	1H	RF
315T3154-8		9	30	1
315T3154-80		4	5H	RF

78-31-41

 ILLUSTRATED PARTS LIST
 01.1 Page 1012B
 Nov 01/03

PART NUMBER	AIRLINE PART NO.	FIG.	ITEM	TTL REQ
315T3154-81		4	1J	RF
315T3154-82		4	5J	RF
315T3154-83		4	1D	RF
315T3154-84		4	5D	RF
315T3154-85		4	1E	RF
315T3154-86		4	5E	RF
315T3156-1		1	488	1
315T3156-17		1	488A	1
315T3156-18		1	491A	1
315T3156-19		1	494A	1
315T3156-2		1	491	1
315T3156-20		1	497A	1
315T3156-21		1	521A	1
315T3156-22		1	524A	1
315T3156-23		1	488E	1
315T3156-24		1	491E	1
315T3156-25		1	488F	1
315T3156-26		1	491F	1
315T3156-27		1	488G	1
315T3156-28		1	491G	1
315T3156-29		1	488H	1
315T3156-30		1	491H	1
315T3156-31		1	488C	1
315T3156-32		1	491C	1
315T3156-33		1	488D	1
315T3156-34		1	491D	1
315T3156-5		1	494	1
315T3156-6		1	497	1
315T3156-7		1	521	1
315T3156-8		1	524	1
315T3157-10		1	542A	1
315T3157-2		1	566	1
315T3157-3		1	569	1
315T3157-7		1	530A	1
315T3157-8		1	566A	1

78-31-41

ILLUSTRATED PARTS LIST
01.1 Page 1012C
Nov 01/03

PART NUMBER	AIRLINE PART NO.	FIG.	ITEM	TTL REQ
315T3159-1		1	371B	1
		2	1	RF
315T3159-3		2	25	1
315T3202-114		4	305	1
315T3208-1		1	380	1
315T3208-11		11	1A	RF
315T3208-12		11	5	RF
315T3208-19		11	1D	RF
315T3208-2		1	383	1
315T3208-20		11	5C	RF
315T3208-21		11	1E	RF
315T3208-22		11	5D	RF
315T3208-23		11	1F	RF
315T3208-24		11	5E	RF
315T3208-25		11	1G	RF
315T3208-26		11	5F	RF
315T3208-27		11	1B	RF
315T3208-28		11	5A	RF
315T3208-29		11	1C	RF
315T3208-30		11	5B	RF
315T3208-4		1	378	1
315T3208-5		1	380A	1
		8	1A	RF
315T3208-5001		1	386	1
315T3208-5002		1	389	1
315T3208-5003		1	386A	1
315T3208-5004		1	389A	1
315T3208-5005		8	45	1
315T3208-5006		8	50	1
315T3208-5007		8	45C	1
315T3208-5008		8	50D	1
315T3208-5009		8	45A	1
315T3208-5010		8	50A	1
315T3208-5012		8	50B	1
315T3208-5013		8	45B	1

78-31-41

 ILLUSTRATED PARTS LIST
 01.1 Page 1012D
 Nov 01/03

PART NUMBER	AIRLINE PART NO.	FIG.	ITEM	TTL REQ
315T3208-5014		8	50C	1
315T3208-6		1	383B	1
		8	5	RF
315T3208-7		1	380B	1
		8	1B	RF
315T3208-8		1	383A	1
		8	5A	RF
315T3244-10		1	599	1
315T3245-1		1	500	1
		4	290	1
		6	90	1
		15	90	1
315T3245-2		1	512	1
		4	300	1
		6	100	1
		15	100	1
315T3250-1		1	401	1
315T3250-2		1	404	1
315T3250-3		1	428	1
		11	150A	1
315T3250-4		1	379X	1
		1	431	1
		11	155A	1
315T3250-5		1	401A	1
		8	155A	1
		11	110	1
315T3250-6		1	379	1
		1	404A	1
		8	160A	1
		11	115	1
315T3251-1		1	378R	12
		1	398	11
		8	65	1
		8	67	5
		11	55	1
315T3251-2		1	378S	12
		1	398A	11
		8	105	11
		8	107	6
315T3251-3		8	125	11
		8	125A	6
315T3251-4		8	120	11
		8	120A	6
315T3251-5		8	85	1
		8	145	11
315T3251-6		8	70	1
		8	130	11

78-31-41

ILLUSTRATED PARTS LIST
01.1 Page 1012E
Nov 01/03

PART NUMBER	AIRLINE PART NO.	FIG.	ITEM	TTL REQ
315T3251-7		8	145A	11
		11	90	11
315T3251-8		8	130A	11
		11	75	11
315T3252-1		1	416	1
315T3252-2		1	379N	1
		1	416A	1
		8	175	1
		11	130	1
315T3517-1		1	458	12
315T3517-5		1	459	12
315T3520-3		8	195	1
315T3520-4		8	200	1
315T3529-15		1	89	1
315T3529-17		1	101	1
315T3529-19		1	67	1
		1	98	1
315T3529-24		1	92	1
315T3529-25		1	104	1
315T3530-10		1	176	1
315T3530-15		1	167A	1
315T3530-16		1	170B	1
315T3530-17		1	173A	1
315T3530-18		1	176A	1
315T3530-5		1	166	1
		1	182	1
315T3530-6		1	166F	1
		1	185	1
315T3530-7		1	167	1
315T3530-8		1	170	1
315T3530-9		1	173	1
315T3539-1		1	434	6
315T3539-3		1	440	6
315T3556-15		1	311	1
315T3556-16		1	314	1
315T3556-17		1	326	1
315T3556-18		1	329	1
315T3556-19		1	308	1
315T3556-21		1	311A	1
315T3556-22		1	314A	1
315T3556-23		1	326A	1
315T3556-24		1	329A	1
315T3556-25		1	311B	1
315T3556-26		1	314B	1
315T3556-27		1	326B	1
315T3556-28		1	329B	1

78-31-41

 ILLUSTRATED PARTS LIST
 01.1 Page 1012F
 Nov 01/03

PART NUMBER	AIRLINE PART NO.	FIG.	ITEM	TTL REQ
315T3601-1		12	1D	RF
315T3601-10		13	5	RF
315T3601-11		13	1B	RF
315T3601-12		13	5A	RF
315T3601-13		12	1E	RF
315T3601-14		12	5D	RF
315T3601-15		12	1F	RF
315T3601-16		12	5E	RF
315T3601-17		12	1G	RF
315T3601-18		12	5F	RF
315T3601-19		12	1H	RF
315T3601-2		12	5C	RF
315T3601-20		12	5G	RF
315T3601-21		12	1B	RF
315T3601-22		12	5A	RF
315T3601-23		12	1C	RF
315T3601-24		12	5B	RF
315T3601-25		13	1J	RF
315T3601-26		13	5H	RF
315T3601-27		13	1K	RF
315T3601-28		13	5J	RF
315T3601-29		13	1L	RF
315T3601-3		13	1G	RF
315T3601-30		13	5K	RF
315T3601-31		13	1M	RF
315T3601-32		13	5L	RF
315T3601-33		13	1N	RF
315T3601-34		13	5M	RF
315T3601-35		13	1P	RF
315T3601-36		13	5N	RF
315T3601-37		13	1Q	RF
315T3601-38		13	5P	RF
315T3601-39		13	1R	RF
315T3601-4		13	5F	RF
315T3601-40		13	5Q	RF

78-31-41

ILLUSTRATED PARTS LIST
01.1 Page 1012G
Nov 01/03

PART NUMBER	AIRLINE PART NO.	FIG.	ITEM	TTL REQ
315T3601-41		13	1C	RF
315T3601-42		13	5B	RF
315T3601-43		13	1D	RF
315T3601-44		13	5C	RF
315T3601-45		13	1E	RF
315T3601-46		13	5D	RF
315T3601-47		13	1F	RF
315T3601-48		13	5E	RF
315T3601-5		13	1H	RF
315T3601-6		13	5G	RF
315T3601-7		12	1A	RF
315T3601-8		12	5	RF
315T3601-9		13	1A	RF
315T3602-11		3	140	1
		10	165	1
315T3602-15		1	374	1
		3	1	RF
315T3602-16		1	377A	1
		3	5	RF
315T3602-17		1	374A	1
		3	1A	RF
315T3602-18		1	377B	1
		3	5A	RF
315T3602-19		10	1A	RF
315T3602-20		10	5	RF
315T3602-23		10	1F	RF
315T3602-24		10	5E	RF
315T3602-25		10	1G	RF
315T3602-26		10	5F	RF
315T3602-27		10	1H	RF
315T3602-28		10	5G	RF

78-31-41

 ILLUSTRATED PARTS LIST
 01.1 Page 1012H
 Nov 01/03

PART NUMBER	AIRLINE PART NO.	FIG.	ITEM	TTL REQ
315T3602-29		10	1J	RF
315T3602-3		3	135	1
		10	150	1
315T3602-30		10	5H	RF
315T3602-31		10	1B	RF
315T3602-32		10	5A	RF
315T3602-33		10	1C	RF
315T3602-34		10	5B	RF
315T3602-35		10	160A	1
315T3602-37		10	1K	RF
315T3602-38		10	5J	RF
315T3602-39		10	1L	RF
315T3602-4		3	150	1
		10	155	1
315T3602-40		10	5K	RF
315T3602-41		10	1M	RF
315T3602-42		10	5L	RF
315T3602-43		10	1N	RF
315T3602-44		10	5M	RF
315T3602-45		10	1D	RF
315T3602-46		10	5C	RF
315T3602-47		10	1E	RF
315T3602-48		10	5D	RF
315T3602-5019		3	10	1
315T3602-5020		3	15	1
315T3602-5023		3	10A	1
315T3602-5024		3	15A	1
315T3602-5025		3	10B	1
315T3602-5026		3	15B	1
315T3602-5027		3	10C	1
315T3602-5028		3	15C	1
315T3602-5031		3	10D	1
315T3602-5032		3	15D	1
315T3602-5035		3	10E	1
315T3602-5036		3	15G	1
315T3602-5037		3	10H	1
315T3602-5038		3	10F	1
315T3602-5039		3	10G	1
315T3602-5040		3	15E	1
315T3602-5041		3	15F	1

78-31-41

ILLUSTRATED PARTS LIST
01.1 Page 1012I
Nov 01/03

PART NUMBER	AIRLINE PART NO.	FIG.	ITEM	TTL REQ
315T3602-5042		3	15H	1
315T3602-5043		3	10K	1
315T3602-5044		3	10J	1
315T3602-5045		3	15J	1
315T3602-7		3	155	1
		10	170	1
315T3602-9		3	145	1
		10	160	1
315T3605-1		1	335	1
315T3605-10		14	5B	RF
315T3605-11		14	1D	RF
315T3605-12		14	5C	RF
315T3605-13		14	1E	RF
315T3605-14		14	5D	RF
315T3605-15		14	1F	RF
315T3605-16		14	5E	RF
315T3605-17		14	1G	RF
315T3605-18		14	5F	RF
315T3605-2		1	338	1
315T3605-4		1	365	2
		14	50	2
315T3605-5		14	1A	RF
315T3605-5001		1	368	1
315T3605-5002		1	368A	1
315T3605-5003		1	368B	1
315T3605-6		14	5	RF
315T3605-7		14	1B	RF
315T3605-7001		1	341	1
315T3605-8		14	5A	RF
315T3605-9		14	1C	RF
315T3631-11		3	230	1
		10	290	1
315T3631-12		3	245A	1
		10	305	1
315T3631-13		3	223	6
		10	280	6
315T3631-3		3	240	6
		10	295	6
315T3631-7		3	225	5
		10	285	5
315T3631-8		3	245	5
		10	300	5
315T3633-26		3	250	6
		10	310	6

78-31-41

 ILLUSTRATED PARTS LIST
 01.1 Page 1012J
 Nov 01/03

PART NUMBER	AIRLINE PART NO.	FIG.	ITEM	TTL REQ
315T3633-67		9	25	1
315T3633-68		9	55	1
315T3635-2		3	120	2
315T3635-20		3	80	1
315T3635-20		3	84	1
315T3635-21		3	95	2
315T3635-22		3	85	2
315T3635-23		10	75	3
315T3635-24		10	80	3
315T3635-25		3	112	2
		10	100	2
315T3635-26		3	113	2
		10	95	2
315T3635-27		3	67	2
		10	50	2
315T3635-28		3	68	2
		10	55	2
315T3635-29		3	127	1
		10	120	1
315T3635-3		3	73	4
		3	81	2
315T3635-30		3	128	1
		10	115	1
315T3635-31		10	70	2
315T3635-32		10	60	3
315T3635-33		3	107	2
		10	90	2
315T3635-34		3	108	2
		10	85	2
315T3635-35		3	62	2
		10	45	2
315T3635-36		3	63	2
		10	40	2
315T3635-37		3	122	1
		10	110	1

78-31-41

ILLUSTRATED PARTS LIST
01.1 Page 1012K
Nov 01/03

PART NUMBER	AIRLINE PART NO.	FIG.	ITEM	TTL REQ
315T3635-38		3	123	1
		10	105	1
315T3635-39		3	80A	1
		3	84A	1
		10	65	1
315T3635-4		3	75	3
		3	82	1
		3	83	1
315T3635-5		3	110	4
315T3635-6		3	105	4
315T3635-7		3	65	4
315T3635-8		3	60	4
315T3635-9		3	125	2
315T3655-10		1	487	1
315T3655-10		6	5	RF
315T3655-11		15	1A	RF
315T3655-12		15	5	RF
315T3655-13		15	1D	RF
315T3655-14		15	5C	RF
315T3655-15		15	1B	RF
315T3655-16		15	5A	RF
315T3655-17		15	1C	RF
315T3655-18		15	5B	RF
315T3655-19		15	1E	RF
315T3655-20		15	5D	RF
315T3655-21		15	1F	RF
315T3655-22		15	5E	RF
315T3655-23		15	1G	RF
315T3655-24		15	5F	RF
315T3655-25		15	1H	RF
315T3655-26		15	5G	RF
315T3655-5001		6	7	1
315T3655-5002		6	7A	1
315T3655-5003		6	7B	1
315T3655-5004		6	8	1

78-31-41

 ILLUSTRATED PARTS LIST
 01.1 Page 1012L
 Nov 01/03

PART NUMBER	AIRLINE PART NO.	FIG.	ITEM	TTL REQ
315T3655-5005		6	8A	1
315T3655-5006		6	8B	1
315T3655-9		1	486	1
		6	1	RF
315T3656-10		6	35	1
		15	35	1
315T3656-17		6	30	1
		15	30	1
315T3656-20		6	65	1
		15	65	1
315T3656-21		6	60	1
		15	60	1
315T3656-7		6	120	1
		15	120	1
315T3656-8		6	125	1
		15	125	1
315T3658-1		6	115	1
		15	110	1
315T3658-10		6	110	1
		15	115	1
315T3703-10		1	260	1
315T3703-11		1	194	1
315T3703-12		1	197	1
315T3703-13		1	194B	1
315T3703-14		1	197B	1
315T3703-17		1	194D	1
315T3703-18		1	197D	1
315T3703-19		1	194G	1
315T3703-20		1	197G	1
315T3703-21		1	194H	1
315T3703-22		1	197H	1
315T3703-23		1	194J	1
315T3703-24		1	197J	1

78-31-41

ILLUSTRATED PARTS LIST
01.1 Page 1012M
Nov 01/03

PART NUMBER	AIRLINE PART NO.	FIG.	ITEM	TTL REQ
315T3703-25		1	194K	1
315T3703-26		1	197K	1
315T3703-27		1	194E	1
315T3703-28		1	197E	1
315T3703-29		1	194F	1
315T3703-30		1	197F	1
315T3703-5		1	251	1
315T3703-6		1	254	1
315T3703-9		1	257	1
315T3705-59		1	77	1
315T3705-60		1	80	1
315T3723-3		1	275	1
315T3723-6		1	275A	1
315T4000-107		1	665	3
315T4000-108		1	680	3
315T4000-109		1	662	3
315T4000-110		1	677	3
315T4013-100		1	473R	1
315T4013-101		1	476R	1
315T4013-102		1	479S	1
315T4013-103		1	470T	1
315T4013-104		1	473S	1
315T4013-105		1	476S	1
315T4013-106		1	479T	1
315T4013-107		1	470U	1
315T4013-108		1	473T	1
315T4013-109		1	476T	1
315T4013-110		1	479U	1
315T4013-111		1	470W	1
315T4013-112		1	473U	1
315T4013-113		1	476U	1
315T4013-114		1	479W	1
315T4013-29		1	470C	1
315T4013-30		1	473C	1
315T4013-31		1	476C	1
315T4013-32		1	479C	1
315T4013-37		1	470B	1
315T4013-38		1	473B	1
315T4013-46		1	473G	1
315T4013-47		1	476G	1
315T4013-48		1	479H	1
315T4013-59		1	470E	1
315T4013-63		1	470J	1
315T4013-64		1	473H	1
315T4013-65		1	476H	1

78-31-41

 ILLUSTRATED PARTS LIST
 01.1 Page 1012N
 Nov 01/03

PART NUMBER	AIRLINE PART NO.	FIG.	ITEM	TTL REQ
315T4013-66		1	479J	1
315T4013-67		1	470G	1
315T4013-68		1	473F	1
315T4013-69		1	476F	1
315T4013-70		1	479G	1
315T4013-71		1	470N	1
315T4013-72		1	473M	1
315T4013-73		1	476M	1
315T4013-74		1	479N	1
315T4013-75		1	470M	1
315T4013-76		1	473L	1
315T4013-77		1	476L	1
315T4013-78		1	479M	1
315T4013-79		1	470Q	1
315T4013-80		1	473P	1
315T4013-81		1	476P	1
315T4013-82		1	479Q	1
315T4013-83		1	470R	1
315T4013-84		1	473Q	1
315T4013-85		1	476Q	1
315T4013-86		1	479R	1
315T4013-99		1	470S	1
315T4014-10SP		1	5B	RF
315T4014-100SP		1	5X	RF
315T4014-101SP		1	10X	RF
315T4014-102SP		1	15Y	RF
315T4014-103SP		1	1Z	RF
315T4014-104SP		1	5Y	RF
315T4014-105SP		1	10Y	RF
315T4014-106SP		1	15Z	RF
315T4014-107SP		1	2	RF
315T4014-108SP		1	5Z	RF
315T4014-109SP		1	10Z	RF
315T4014-11SP		1	10B	RF
315T4014-110SP		1	16	RF

78-31-41

ILLUSTRATED PARTS LIST
01.1 Page 10120
Nov 01/03

PART NUMBER	AIRLINE PART NO.	FIG.	ITEM	TTL REQ
315T4014-111SP		1	2A	RF
315T4014-112SP		1	6	RF
315T4014-113SP		1	11	RF
315T4014-114SP		1	16A	RF
315T4014-115SP		1	2B	RF
315T4014-116SP		1	6A	RF
315T4014-117SP		1	11A	RF
315T4014-118SP		1	16B	RF
315T4014-119SP		1	2C	RF
315T4014-12SP		1	15B	RF
315T4014-120SP		1	6B	RF
315T4014-121SP		1	11B	RF
315T4014-122SP		1	16C	RF
315T4014-123SP		1	2D	RF
315T4014-124SP		1	6C	RF
315T4014-125SP		1	11C	RF
315T4014-126SP		1	16D	RF
315T4014-127SP		1	2E	RF
315T4014-128SP		1	6D	RF
315T4014-129SP		1	11D	RF
315T4014-130SP		1	16E	RF
315T4014-131SP		1	2F	RF
315T4014-132SP		1	6E	RF
315T4014-133SP		1	11E	RF
315T4014-134SP		1	16F	RF
315T4014-135SP		1	2G	RF
315T4014-136SP		1	6F	RF
315T4014-137SP		1	11F	RF
315T4014-138SP		1	16G	RF
315T4014-139SP		1	2H	RF
315T4014-140SP		1	6G	RF
315T4014-141SP		1	11G	RF
315T4014-142SP		1	16H	RF
315T4014-143SP		1	2J	RF
315T4014-144SP		1	6H	RF

78-31-41

 ILLUSTRATED PARTS LIST
 01.1 Page 1012P
 Nov 01/03

PART NUMBER	AIRLINE PART NO.	FIG.	ITEM	TTL REQ
315T4014-145SP		1	11H	RF
315T4014-146SP		1	16J	RF
315T4014-147SP		1	2K	RF
315T4014-148SP		1	6J	RF
315T4014-149SP		1	11J	RF
315T4014-150SP		1	16K	RF
315T4014-151SP		1	2L	RF
315T4014-152SP		1	6K	RF
315T4014-153SP		1	11K	RF
315T4014-154SP		1	16L	RF
315T4014-155SP		1	2S	RF
315T4014-156SP		1	6R	RF
315T4014-157SP		1	11R	RF
315T4014-158SP		1	16S	RF
315T4014-159SP		1	2T	RF
315T4014-160SP		1	6S	RF
315T4014-161SP		1	11S	RF
315T4014-162SP		1	16T	RF
315T4014-163		1	2U	RF
315T4014-164		1	6T	RF
315T4014-167SP		1	2V	RF
315T4014-168SP		1	6U	RF
315T4014-169SP		1	11T	RF
315T4014-170SP		1	16U	RF
315T4014-171SP		1	2W	RF
315T4014-172SP		1	6V	RF
315T4014-173SP		1	11U	RF
315T4014-174SP		1	16V	RF
315T4014-175SP		1	2X	RF
315T4014-176SP		1	6W	RF
315T4014-177SP		1	11V	RF
315T4014-178SP		1	16W	RF
315T4014-179SP		1	2Y	RF
315T4014-180SP		1	6X	RF
315T4014-181SP		1	11W	RF

78-31-41

ILLUSTRATED PARTS LIST
01.1 Page 1012Q
Nov 01/03

PART NUMBER	AIRLINE PART NO.	FIG.	ITEM	TTL REQ
315T4014-182SP		1	16X	RF
315T4014-183SP		1	2Z	RF
315T4014-184SP		1	6Y	RF
315T4014-185SP		1	11X	RF
315T4014-186SP		1	16Y	RF
315T4014-187SP		1	3	RF
315T4014-188SP		1	6Z	RF
315T4014-189SP		1	11Y	RF
315T4014-190SP		1	16Z	RF
315T4014-191		1	3F	RF
315T4014-192		1	7E	RF
315T4014-193		1	3A	RF
315T4014-194		1	7	RF
315T4014-195		1	3B	RF
315T4014-196		1	7A	RF
315T4014-197		1	3C	RF
315T4014-198		1	7B	RF
315T4014-207		1	3D	RF
315T4014-208		1	7C	RF
315T4014-209		1	3E	RF
315T4014-210		1	7D	RF
315T4014-25SP		1	1E	RF
315T4014-26SP		1	5F	RF
315T4014-27SP		1	10F	RF
315T4014-28SP		1	15E	RF
315T4014-29SP		1	1F	RF
315T4014-30SP		1	5G	RF
315T4014-31SP		1	10G	RF
315T4014-32SP		1	15F	RF
315T4014-33SP		1	1G	RF
315T4014-34SP		1	5H	RF
315T4014-35SP		1	10H	RF
315T4014-36SP		1	15G	RF
315T4014-37SP		1	1H	RF
315T4014-38SP		1	5J	RF
315T4014-39SP		1	10J	RF
315T4014-40SP		1	15H	RF
315T4014-41SP		1	1J	RF
315T4014-42SP		1	15J	RF
315T4014-47SP		1	10K	RF
315T4014-48SP		1	15L	RF
315T4014-49SP		1	1L	RF
315T4014-50SP		1	5K	RF
315T4014-51SP		1	10L	RF
315T4014-52SP		1	15M	RF

78-31-41

 ILLUSTRATED PARTS LIST
 01.1 Page 1012R
 Nov 01/03

PART NUMBER	AIRLINE PART NO.	FIG.	ITEM	TTL REQ
315T4014-53SP		1	1M	RF
315T4014-54SP		1	5L	RF
315T4014-55SP		1	10M	RF
315T4014-56SP		1	15N	RF
315T4014-57SP		1	1N	RF
315T4014-58SP		1	5M	RF
315T4014-59SP		1	10N	RF
315T4014-60SP		1	15P	RF
315T4014-61SP		1	1P	RF
315T4014-62SP		1	5N	RF
315T4014-63SP		1	10P	RF
315T4014-64SP		1	15Q	RF
315T4014-65SP		1	1Q	RF
315T4014-66SP		1	5P	RF
315T4014-67SP		1	10Q	RF
315T4014-68SP		1	15R	RF
315T4014-69SP		1	1R	RF
315T4014-70SP		1	5Q	RF
315T4014-71SP		1	1S	RF
315T4014-72SP		1	5R	RF
315T4014-73SP		1	10R	RF
315T4014-74SP		1	15S	RF
315T4014-75SP		1	1T	RF
315T4014-76SP		1	5S	RF
315T4014-77SP		1	10S	RF
315T4014-78SP		1	15T	RF
315T4014-79SP		1	1U	RF
315T4014-80SP		1	5T	RF
315T4014-81SP		1	10T	RF
315T4014-82SP		1	15U	RF
315T4014-83SP		1	1V	RF
315T4014-84SP		1	5U	RF
315T4014-85SP		1	10U	RF
315T4014-86SP		1	15V	RF
315T4014-87SP		1	1W	RF

78-31-41

ILLUSTRATED PARTS LIST
01.1 Page 1012S
Nov 01/03

PART NUMBER	AIRLINE PART NO.	FIG.	ITEM	TTL REQ
315T4014-88SP		1	5V	RF
315T4014-89SP		1	10V	RF
315T4014-9SP		1	1B	RF
315T4014-90SP		1	15W	RF
315T4014-95SP		1	1X	RF
315T4014-96SP		1	5W	RF
315T4014-97SP		1	10W	RF
315T4014-98SP		1	15X	RF
315T4014-99SP		1	1Y	RF
315T4024-1		1	630	1
315T4024-2		1	631	1
315T4026-11		1	464E	1
315T4026-12		1	467E	1
315T4026-13		1	464G	1
315T4026-14		1	467G	1
315T4026-15		1	464H	1
315T4026-16		1	467H	1
315T4026-18		1	464K	1
315T4102-3		1	608	4
315T4102-4		1	623	4
315T4102-6		1	581	1
315T4102-7		1	596A	1
315T4157-1		1	530C	1
315T4157-2		1	538	1
315T4500-1		1	464	1
315T4500-10		1	467C	1
315T4500-2		1	467	1
315T4500-7		1	464B	1
315T4500-8		1	467B	1
315T4500-9		1	464C	1
315T4529-1		1	68	1
315T4529-2		1	71	1
315T4529-3		1	83	1
315T4529-4		1	86	1
315T4530-1		1	188	1

78-31-41

 ILLUSTRATED PARTS LIST
 01.1 Page 1012T
 Nov 01/03

PART NUMBER	AIRLINE PART NO.	FIG.	ITEM	TTL REQ
315T4530-2		1	191	1
315T4531-1		1	67V	1
		1	105	1
315T4531-10		1	106A	1
315T4531-11		1	186A	1
315T4531-12		1	187A	1
315T4531-2		1	67X	1
		1	106	1
315T4531-3		1	87	1
315T4531-4		1	88	1
315T4531-5		1	166W	1
		1	186	1
315T4531-6		1	166Y	1
		1	187	1
315T4531-7		1	189	1
315T4531-8		1	192	1
315T4531-9		1	105A	1
315T4532-1		1	626	6
315T4579-1		1	20	1
315T4579-10		1	23A	1
315T4579-11		1	107A	1
315T4579-12		1	110A	1
315T4579-13		1	67M	1
315T4579-14		1	67P	1
315T4579-15		1	166L	1
315T4579-16		1	166N	1
315T4579-17		1	20B	1
315T4579-18		1	23B	1
315T4579-19		1	107B	1
315T4579-2		1	23	1
315T4579-20		1	110B	1
315T4579-23		1	20E	1
315T4579-24		1	23E	1
315T4579-25		1	20F	1
315T4579-26		1	23F	1

78-31-41

ILLUSTRATED PARTS LIST
01.1 Page 1012U
Nov 01/03

PART NUMBER	AIRLINE PART NO.	FIG.	ITEM	TTL REQ
315T4579-27		1	20G	1
315T4579-28		1	23G	1
315T4579-29		1	20H	1
315T4579-3		1	107	1
315T4579-30		1	23H	1
315T4579-31		1	107E	1
315T4579-32		1	110E	1
315T4579-33		1	107F	1
315T4579-34		1	110F	1
315T4579-35		1	107G	1
315T4579-36		1	110G	1
315T4579-37		1	107H	1
315T4579-38		1	110H	1
315T4579-39		1	20C	1
315T4579-4		1	110	1
315T4579-40		1	23C	1
315T4579-41		1	20D	1
315T4579-42		1	23D	1
315T4579-43		1	107C	1
315T4579-44		1	110C	1
315T4579-45		1	107D	1
315T4579-46		1	110D	1
315T4579-5		1	114	1
315T4579-6		1	67A	1
315T4579-7		1	51	1
		1	115	1
315T4579-9		1	20A	1
315T4601-1		3	263	1
		10	355	1
315T4601-2		10	365	1
315T4601-3		10	370	1
315T4701-10SP		1	6N	RF
315T4701-11SP		1	11N	RF
315T4701-12SP		1	16P	RF
315T4701-13SP		1	2M	RF
315T4701-14SP		1	6L	RF
315T4701-15SP		1	11L	RF
315T4701-16SP		1	16M	RF
315T4701-17SP		1	2N	RF
315T4701-18SP		1	6M	RF
315T4701-19SP		1	11M	RF
315T4701-20SP		1	16N	RF
315T4701-21SP		1	2R	RF
315T4701-22SP		1	6Q	RF
315T4701-23SP		1	11Q	RF
315T4701-24SP		1	16R	RF

78-31-41

 ILLUSTRATED PARTS LIST
 01.1 Page 1012V
 Nov 01/03

PART NUMBER	AIRLINE PART NO.	FIG.	ITEM	TTL REQ
315T4701-5SP		1	2Q	RF
315T4701-6SP		1	6P	RF
315T4701-7SP		1	11P	RF
315T4701-8SP		1	16Q	RF
315T4701-9SP		1	2P	RF
315T4705-1		1	53	1
315T4705-10		1	62P	1
315T4705-13		1	61	1
315T4705-2		1	56	1
315T4705-23		1	164G	1
315T4705-24		1	164M	1
315T4705-25		1	143	1
315T4705-27		1	60	1
315T4705-28		1	60H	1
315T4705-29		1	137A	1
315T4705-30		1	140A	1
315T4705-35		1	137B	1
315T4705-36		1	140B	1
315T4705-37		1	137C	1
315T4705-38		1	140C	1
315T4705-45		1	143A	1
315T4705-49		1	155A	1
315T4705-5		1	155	1
315T4705-50		1	158A	1
315T4705-51		1	164H	1
315T4705-52		1	164N	1
315T4705-53		1	155B	1
315T4705-54		1	158B	1
315T4705-55		1	164J	1
315T4705-56		1	164P	1
315T4705-57		1	53E	1
315T4705-58		1	56E	1
315T4705-59		1	53F	1
315T4705-6		1	158	1
315T4705-60		1	56F	1

78-31-41

ILLUSTRATED PARTS LIST
01.1 Page 1012W
Nov 01/03

PART NUMBER	AIRLINE PART NO.	FIG.	ITEM	TTL REQ
315T4705-61		1	53G	1
315T4705-62		1	56G	1
315T4705-63		1	53H	1
315T4705-64		1	56H	1
315T4705-65		1	155G	1
315T4705-66		1	158G	1
315T4705-67		1	155H	1
315T4705-68		1	158H	1
315T4705-69		1	155J	1
315T4705-7		1	64	1
315T4705-70		1	158J	1
315T4705-71		1	155K	1
315T4705-72		1	158K	1
315T4705-73		1	53C	1
315T4705-74		1	56C	1
315T4705-75		1	53D	1
315T4705-76		1	56D	1
315T4705-77		1	155E	1
315T4705-78		1	158E	1
315T4705-79		1	155F	1
315T4705-8		1	64H	1
315T4705-80		1	158F	1
315T4705-9		1	62H	1
315T4716-1		3	222	1
		10	265	1
315T4716-2		3	222H	1
		10	270	1
315T4717-1		3	221	1
		10	260	1
315T4726-13		8	25	1
		11	25	1

78-31-41

 ILLUSTRATED PARTS LIST
 01.1 Page 1012X
 Nov 01/03

PART NUMBER	AIRLINE PART NO.	FIG.	ITEM	TTL REQ
315T4726-14		8	40	1
		11	40	1
315U4009-10		1	5F	RF
315U4009-11		1	476J	1
315U4009-12		1	15E	RF
		1	479K	1
315U4009-21		1	1Y	RF
		1	2	RF
		1	470P	1
315U4009-22		1	5X	RF
315U4009-22		1	6	RF
		1	473N	1
315U4009-23		1	10X	RF
		1	11	RF
		1	476N	1
315U4009-24		1	15Y	RF
		1	16	RF
		1	479P	1
315U4009-5		1	1F	RF
		1	470L	1
315U4009-6		1	5G	RF
		1	473K	1
315U4009-7		1	10G	RF
		1	476K	1
315U4009-8		1	15F	RF
		1	479L	1
315U4009-9		1	1E	RF
		1	470K	1
31875-6H		7	135	1
325167		2	35	1
35056V06		7	135	1
35235VN06		7	145A	2
35235V04		4	75	2
35235V06		3	160	6
		7	125	1
		7	145	2
		10	175	6

78-31-41

ILLUSTRATED PARTS LIST
01.1 Page 1012Y
Nov 01/03

PART NUMBER	AIRLINE PART NO.	FIG.	ITEM	TTL REQ
4242100-11		3	180	2
		10	200	2
4242200-1		3	175	2
		10	195	2
4242300-1		3	220	1
4385AF300		7	30	2
44LC17H20PB		1	590	4
4671097H6		7	135	1
4671114-0404M		4	70	1
4690009-06J		3	210	1
		10	235	1
4690009-12J		3	215	1
		10	230	1
48-00R14-7P300		6	55	1
48-00R14-7P300		15	55	1
490-06RPB		7	100	7
490-20RPB		1	590	4
509SS12		7	65	1
509S4		4	25	6
55939-3		14	45	1
5830205-101		7	190	1
5830205-102		7	190A	1
61B43526		1	641A	1
61B43526-045		12	43A	1
61B43528		1	638A	1
61B43528-045		12	41A	1
61B43530		1	644A	1
61B43530-049		13	100B	1
61B43530-050		13	100C	1
61B43532		1	647A	1
61B43532-049		13	105B	1
61B43532-050		13	105C	1
65407		6	20	1
		15	20	1
65408		6	15	1
		15	15	1
66014-5		1	379K	6
		1	413	6
		1	506	4
		1	605	6
		7	180	4
		7	245	2
		8	170	6
		11	125	6

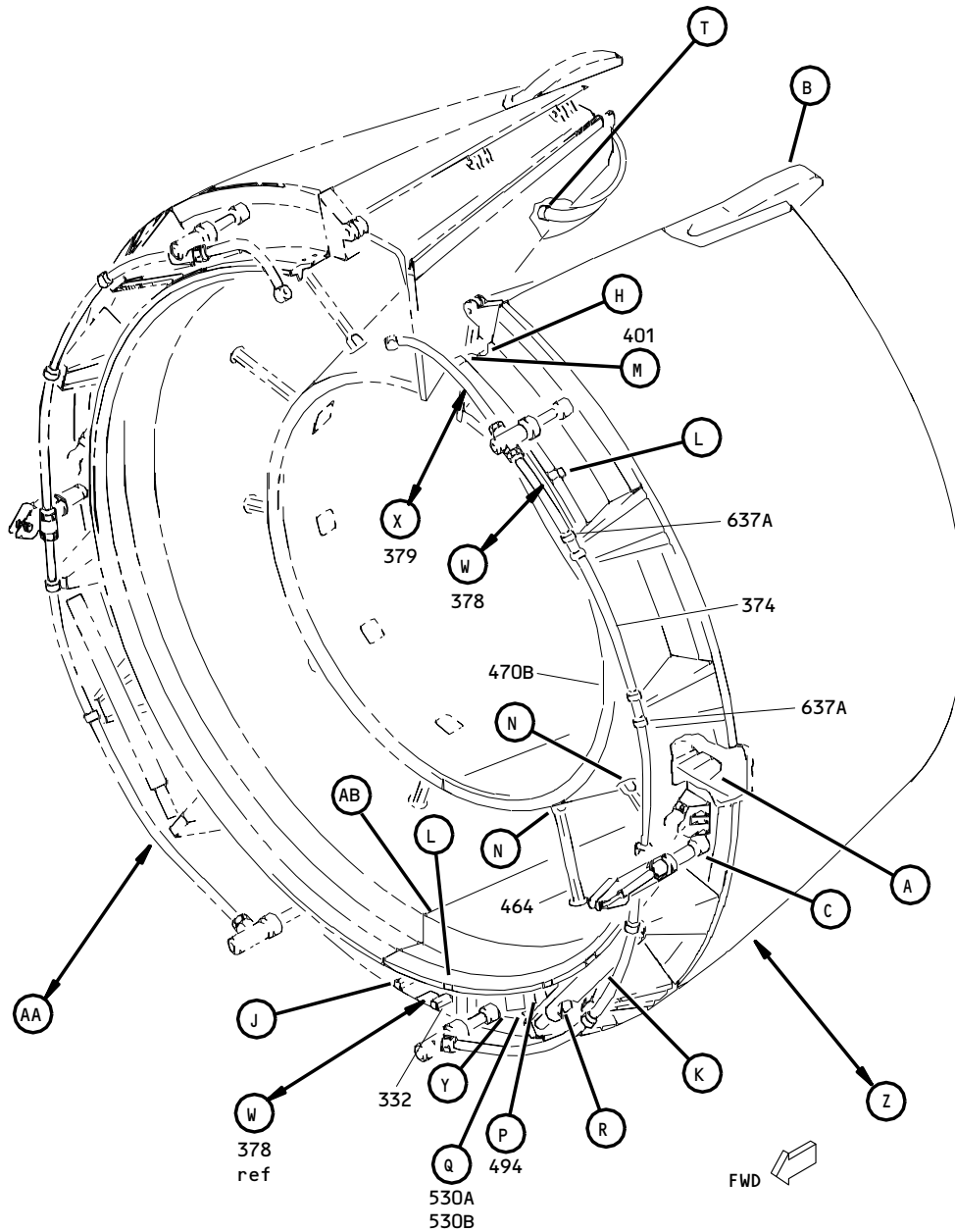
78-31-41

 ILLUSTRATED PARTS LIST
 01.1 Page 1012Z
 Nov 01/03

PART NUMBER	AIRLINE PART NO.	FIG.	ITEM	TTL REQ
66014-6		1	518	3
		1	614	8
		7	20	1
		7	200	7
		7	220	2
		7	275	3
		7	340	2
		9	75	4
	66014-8		1	449
67068-5A4		1	379C	6
67068-5A4		1	407	6
		8	165	6
		11	120	6
8-344-02		1	215	1
		1	218	1
8-344-03		1	215	1
		1	218	1
9NS202101SE048		7	10	1
95850M0150AAN		7	170	1
96-02		4	20	6
		7	95	3
96854P0181CCN		3	200	1
		3	205	1
		10	220	1
		10	225	1
97E02		1	535	1
		1	554	1
		3	55	2
		7	60	1
		10	25	6
97E48		7	10	1

78-31-41

ILLUSTRATED PARTS LIST
01.1 Page 1013
Nov 01/03

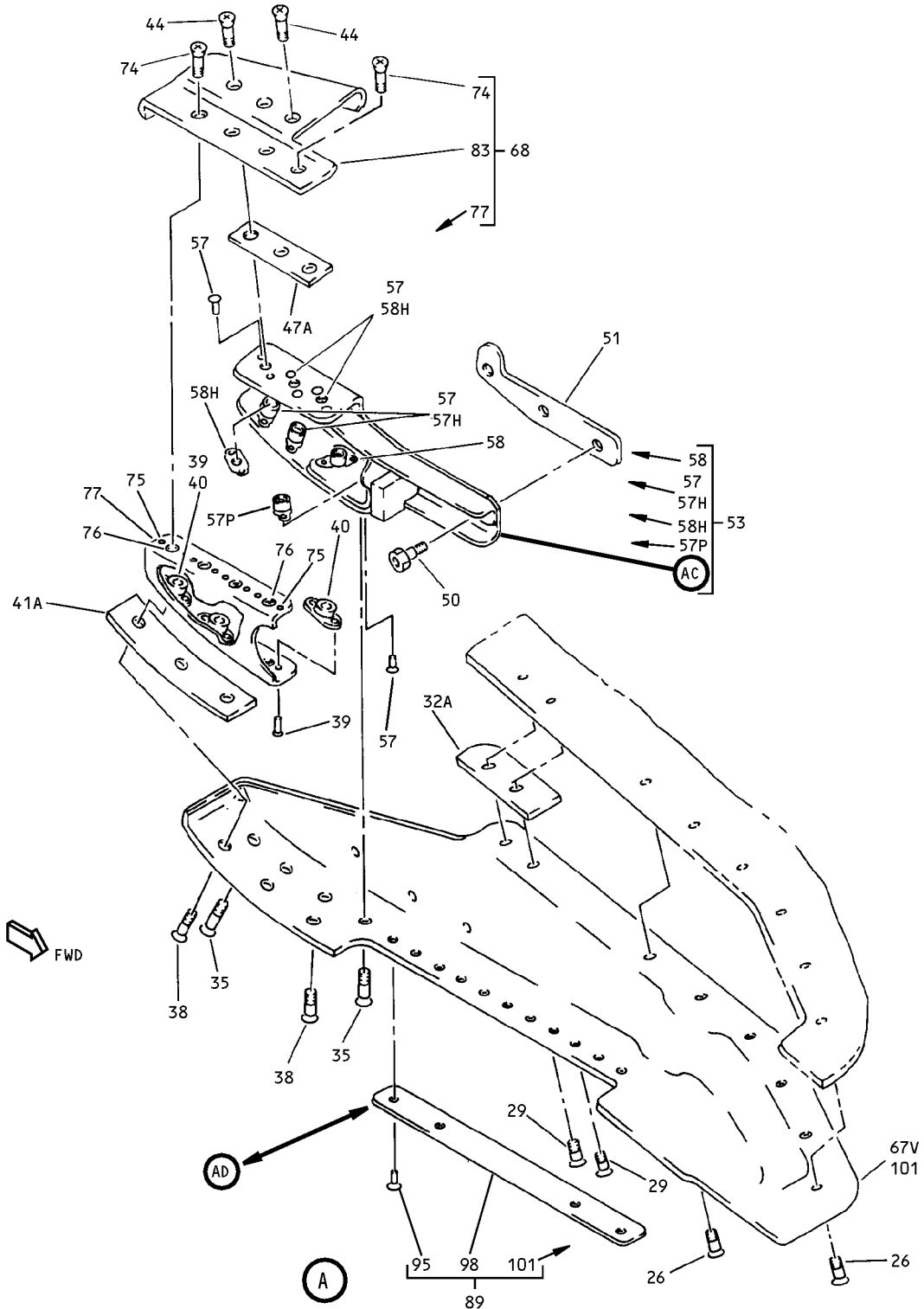


Fan Duct Cowling and Thrust Reverser Assembly
 Figure 1 (Sheet 1)

78-31-41

ILLUSTRATED PARTS LIST
 01.1 Page 1014
 Nov 01/03

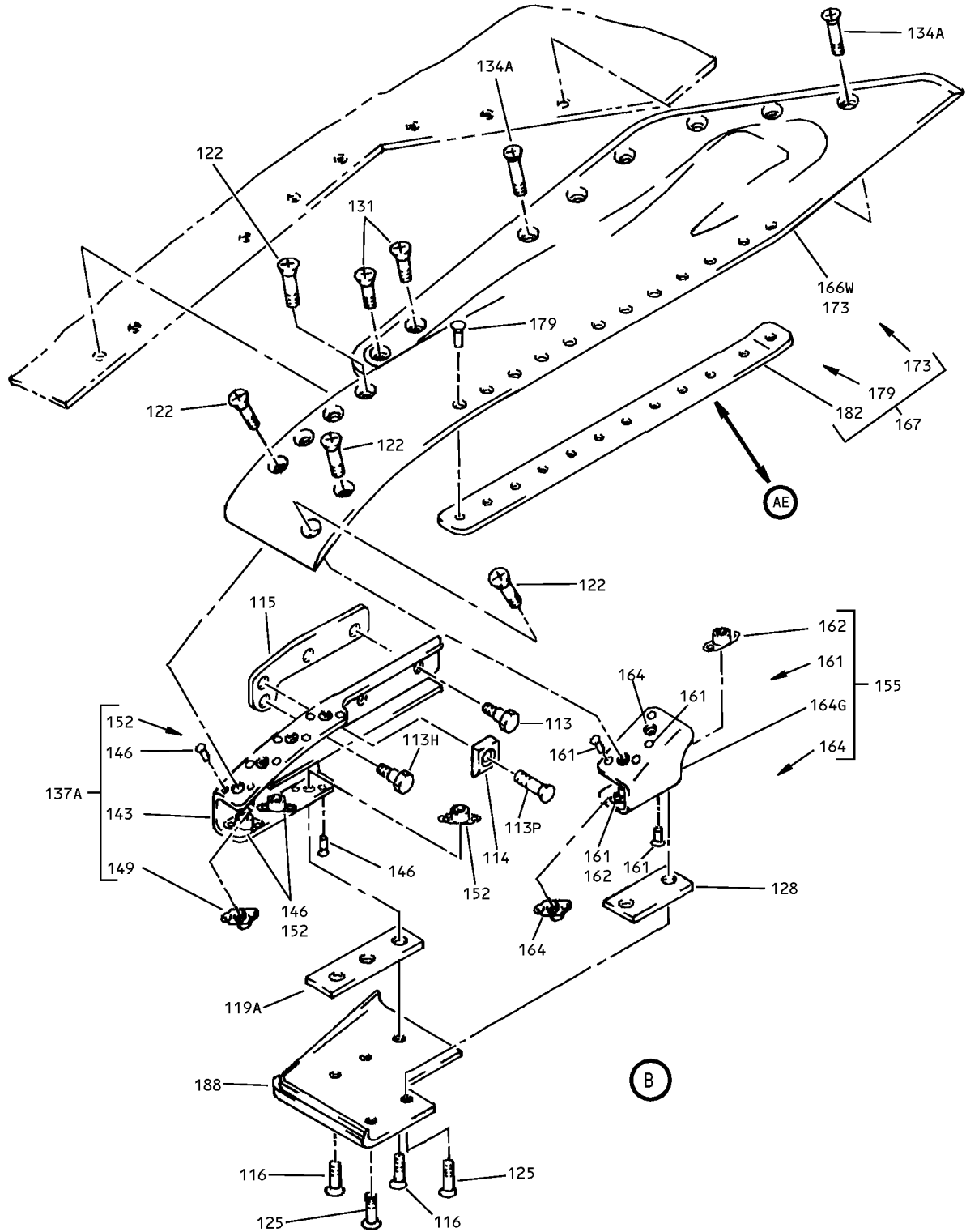
U105964



Fan Duct Cowling and Thrust Reverser Assembly
Figure 1 (Sheet 2)

78-31-41

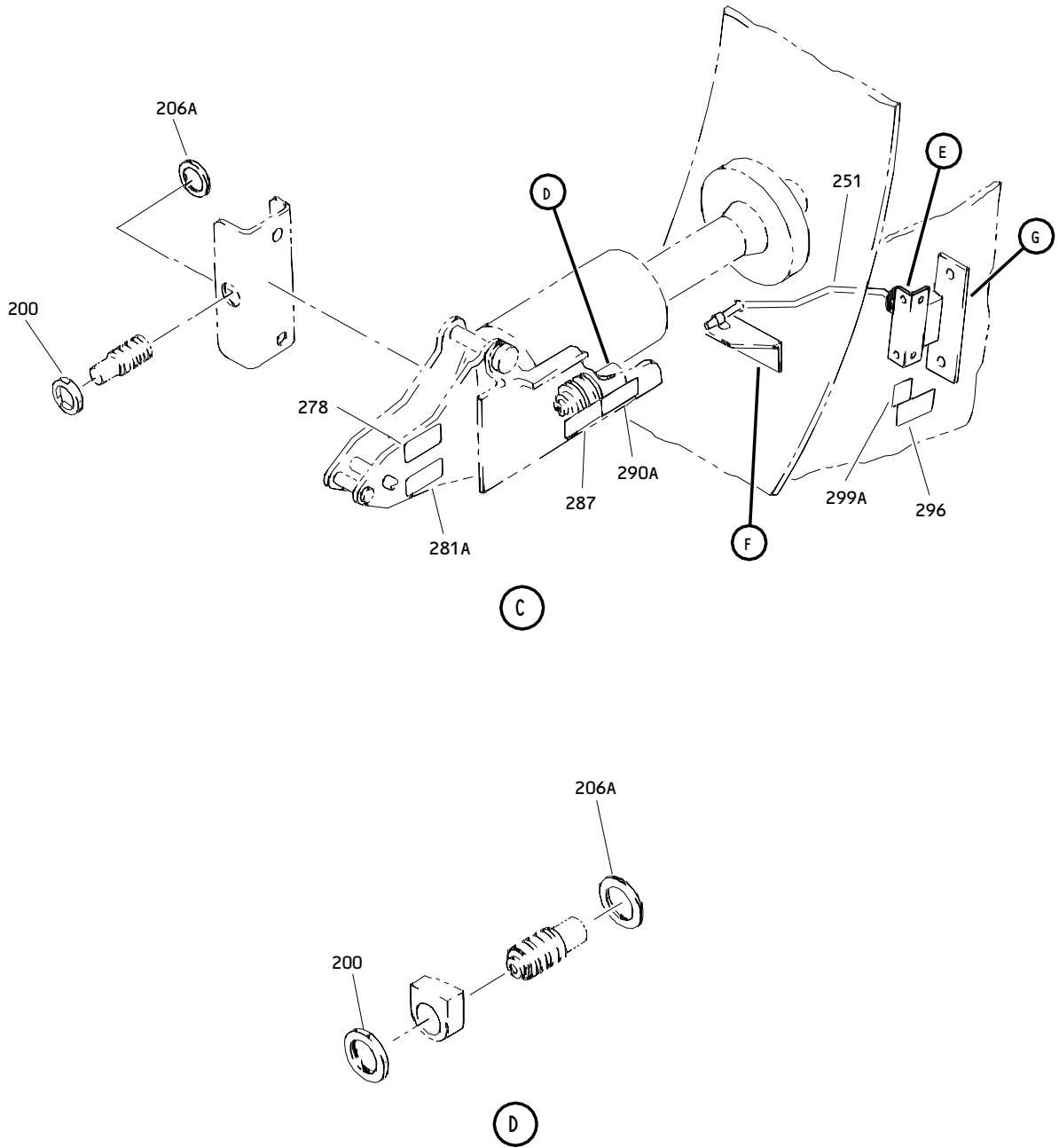
ILLUSTRATED PARTS LIST
01.1 Page 1014A
Nov 01/03



Fan Duct Cowling and Thrust Reverser Assembly
 Figure 1 (Sheet 3)

78-31-41

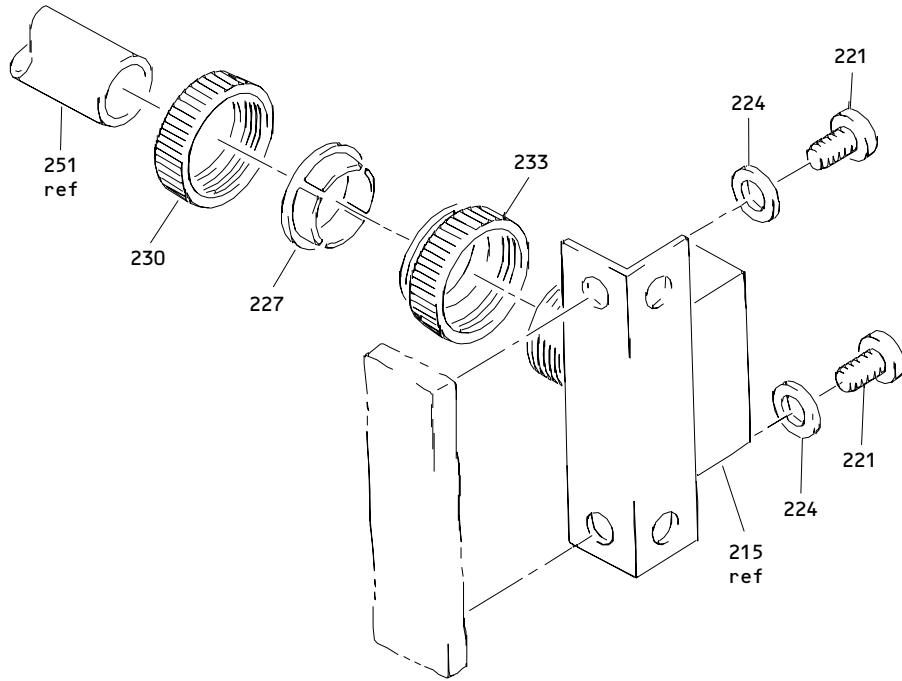
ILLUSTRATED PARTS LIST
 01.1 Page 1014B
 Nov 01/03



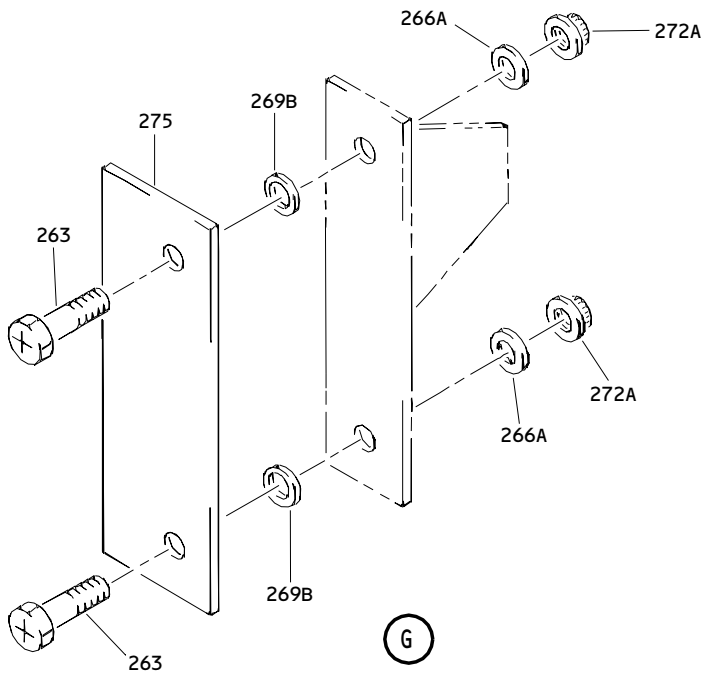
Fan Duct Cowling and Thrust Reverser Assembly
Figure 1 (Sheet 4)

78-31-41

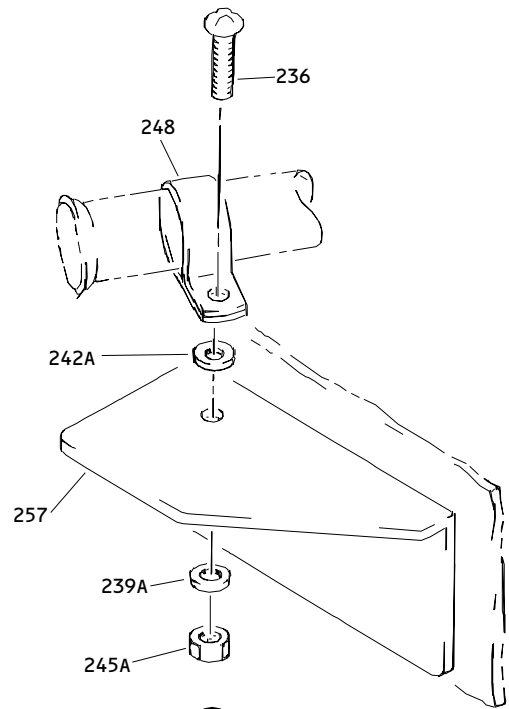
ILLUSTRATED PARTS LIST
01.1 Page 1014C
Nov 01/03



(E)



(G)

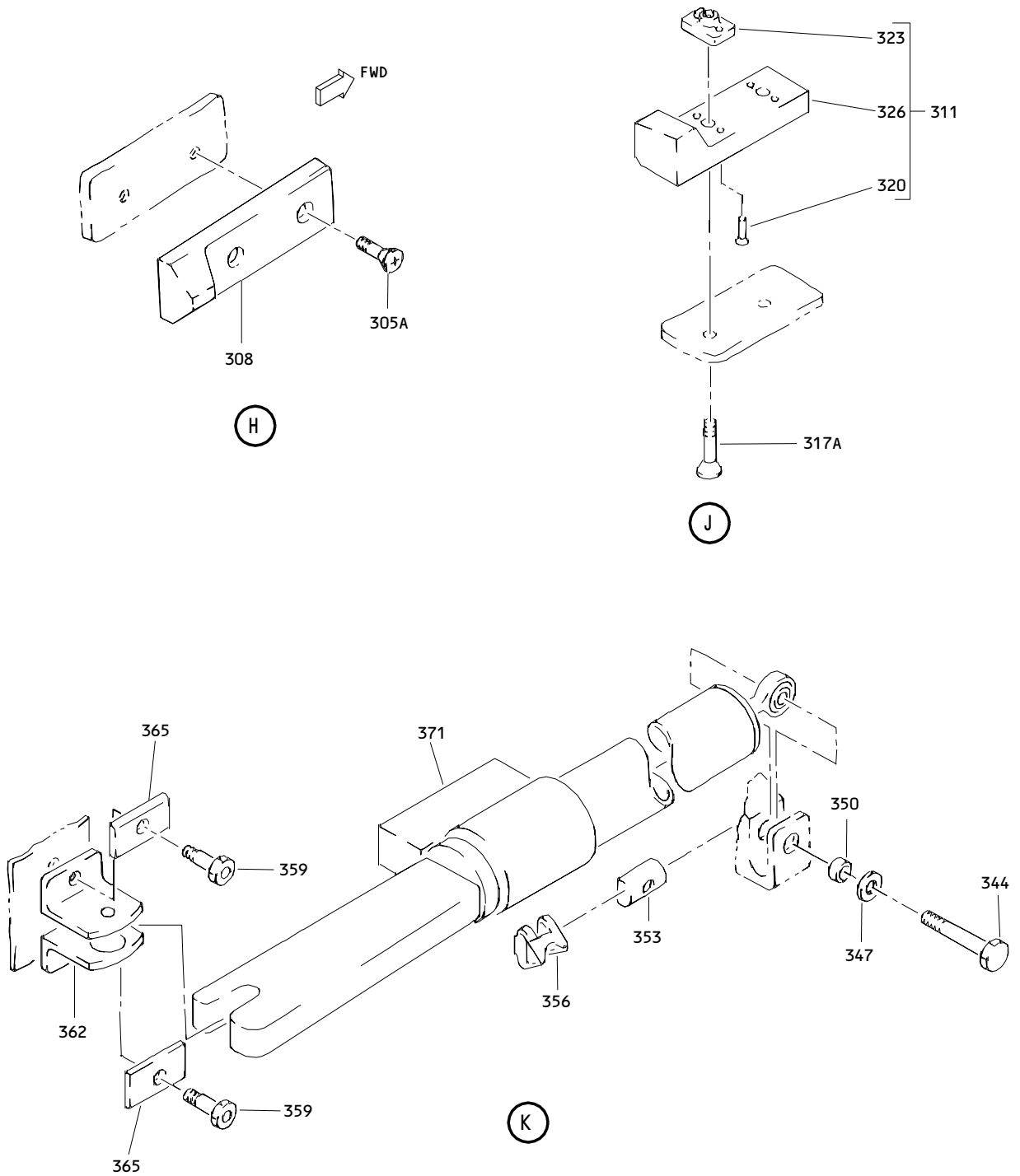


(F)

Fan Duct Cowling and Thrust Reverser Assembly
 Figure 1 (Sheet 5)

78-31-41

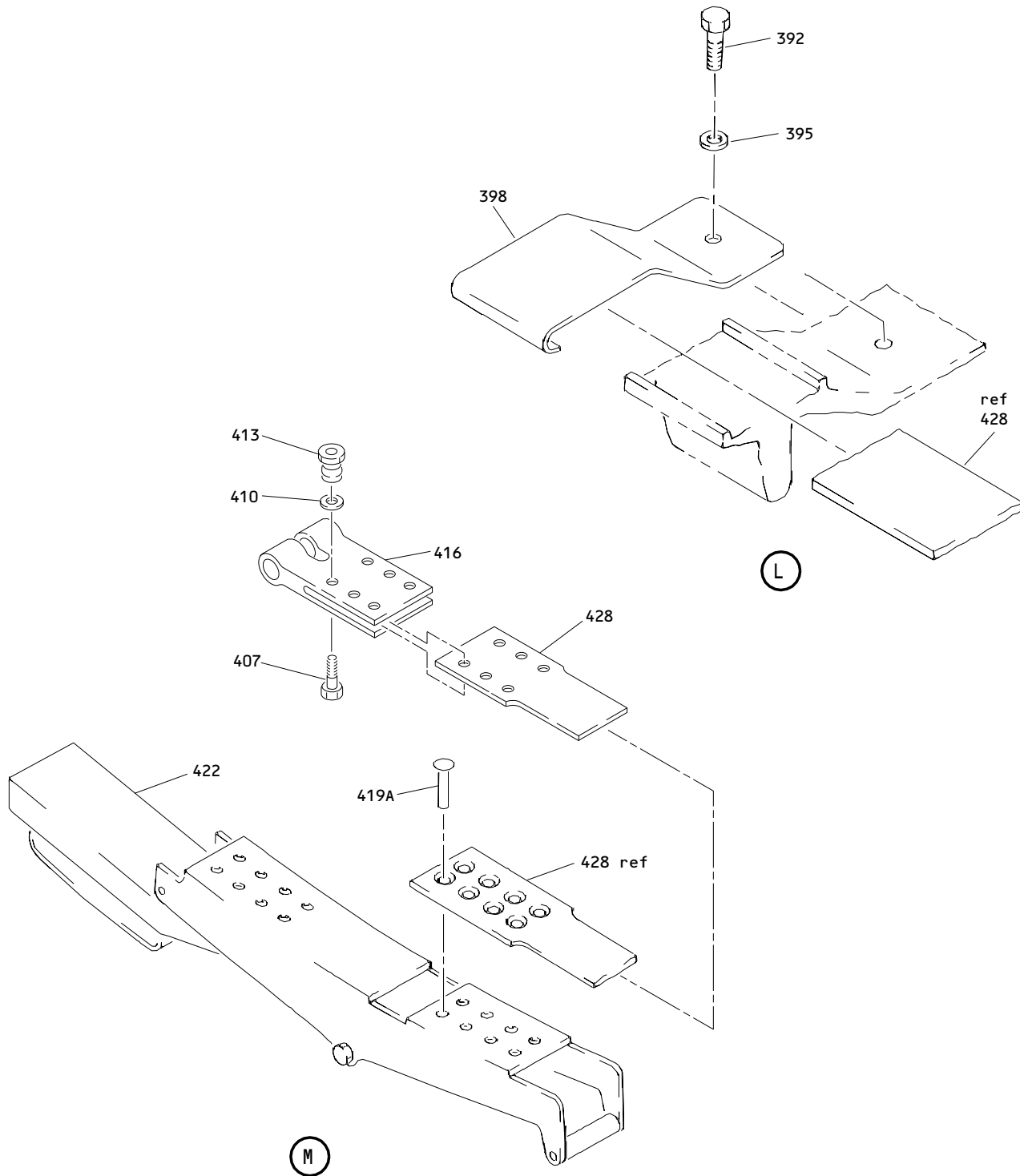
ILLUSTRATED PARTS LIST
 01.1 Page 1014D
 Nov 01/03



Fan Duct Cowling and Thrust Reverser Assembly
Figure 1 (Sheet 6)

78-31-41

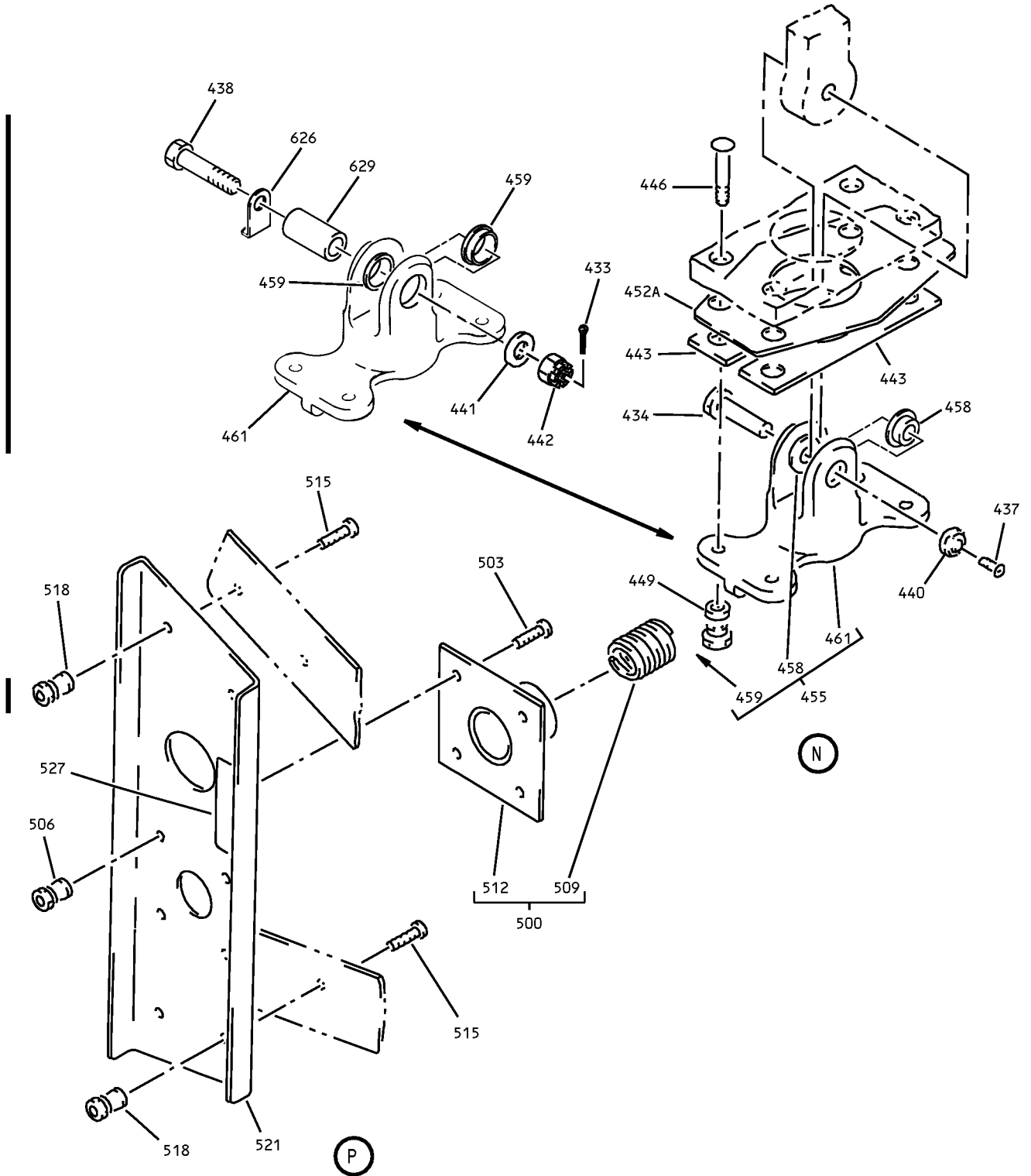
ILLUSTRATED PARTS LIST
01.101 Page 1014E
Nov 01/03



Fan Duct Cowling and Thrust Reverser Assembly
 Figure 1 (Sheet 7)

78-31-41

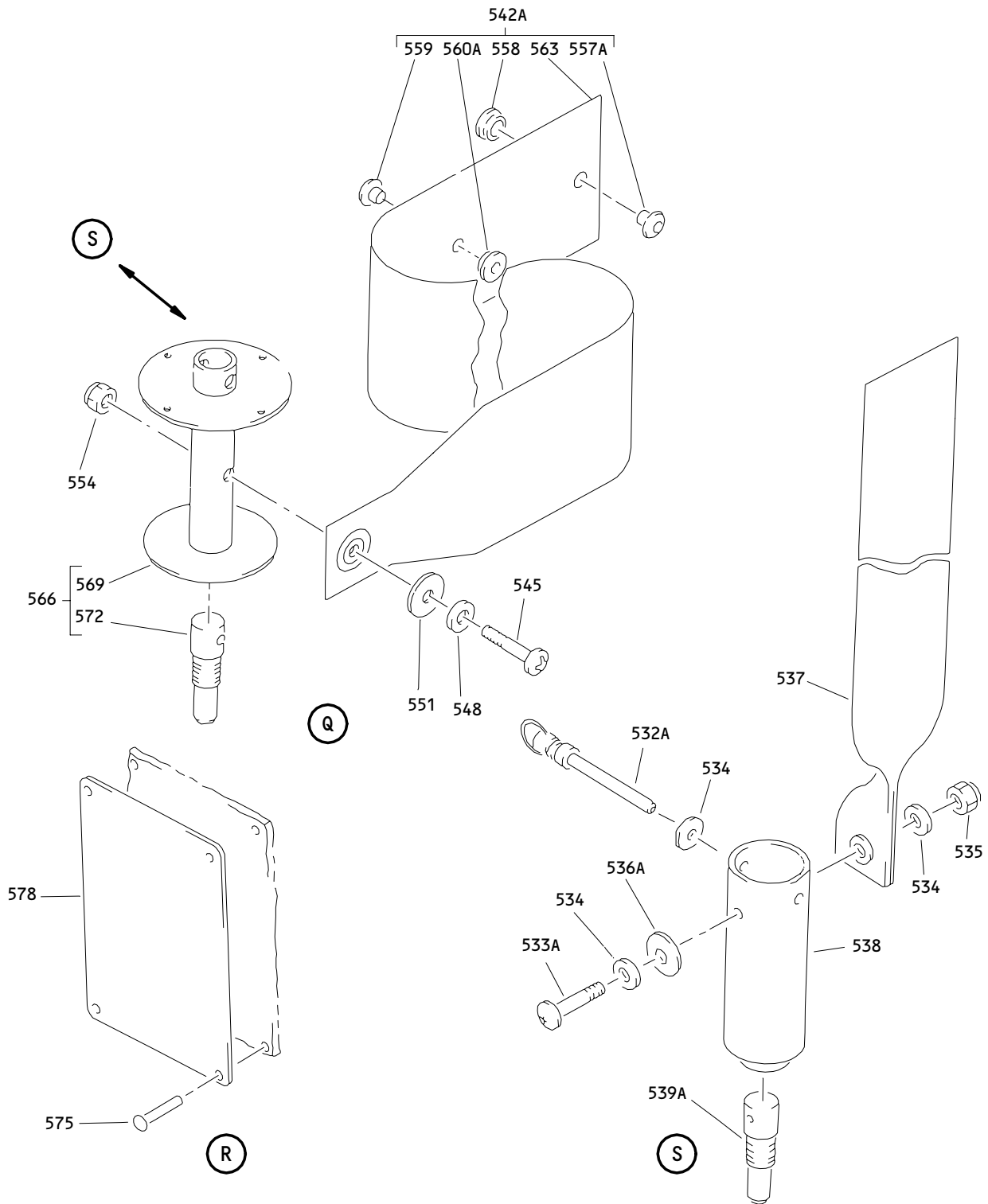
ILLUSTRATED PARTS LIST
 01.1 Page 1014F
 Nov 01/03



Fan Duct Cowling And Thrust Reverser Assembly
Figure 1 (Sheet 8)

78-31-41

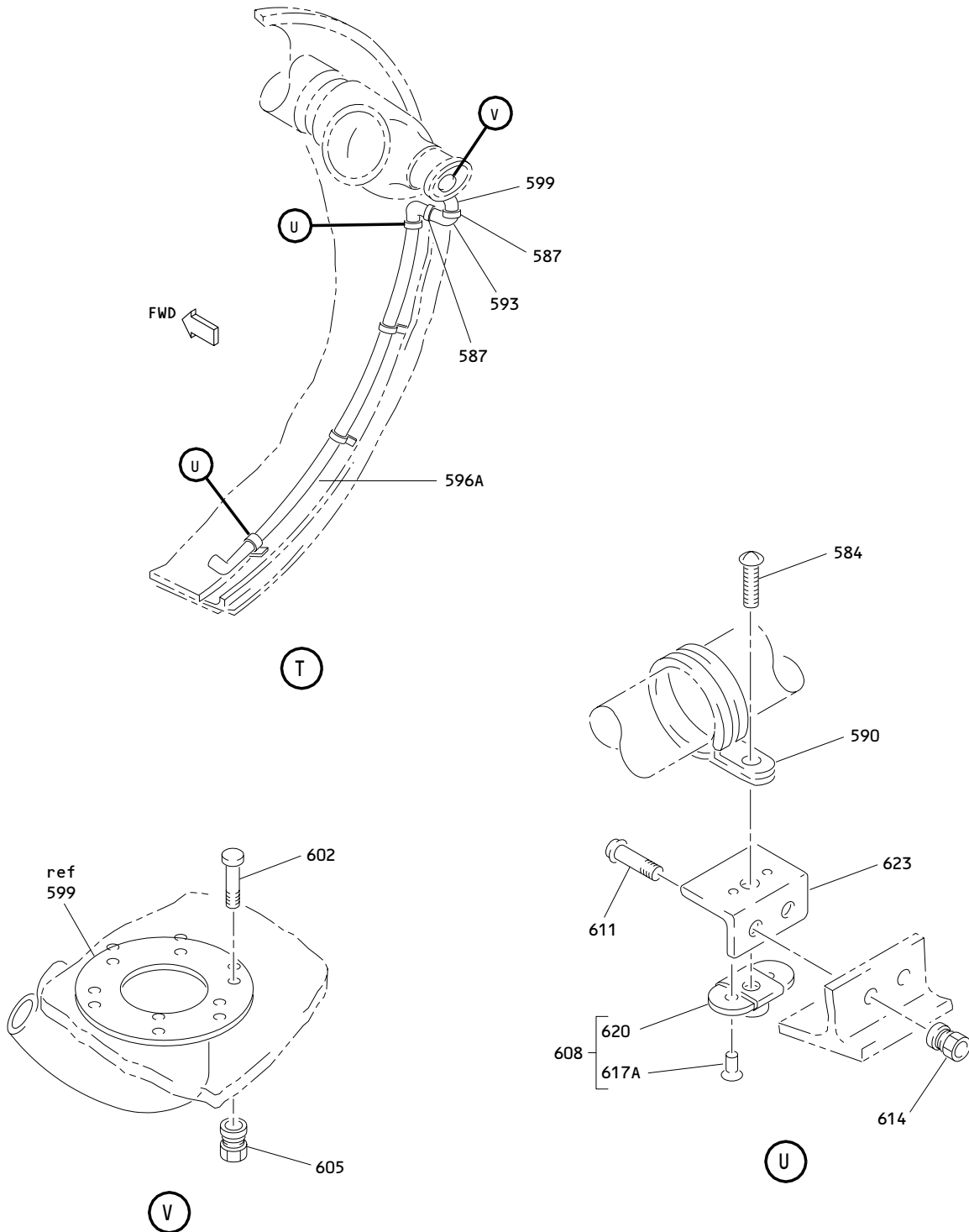
ILLUSTRATED PARTS LIST
01.1 Page 1014G
Nov 01/03



Fan Duct Cowling And Thrust Reverser Assembly
 Figure 1 (Sheet 9)

78-31-41

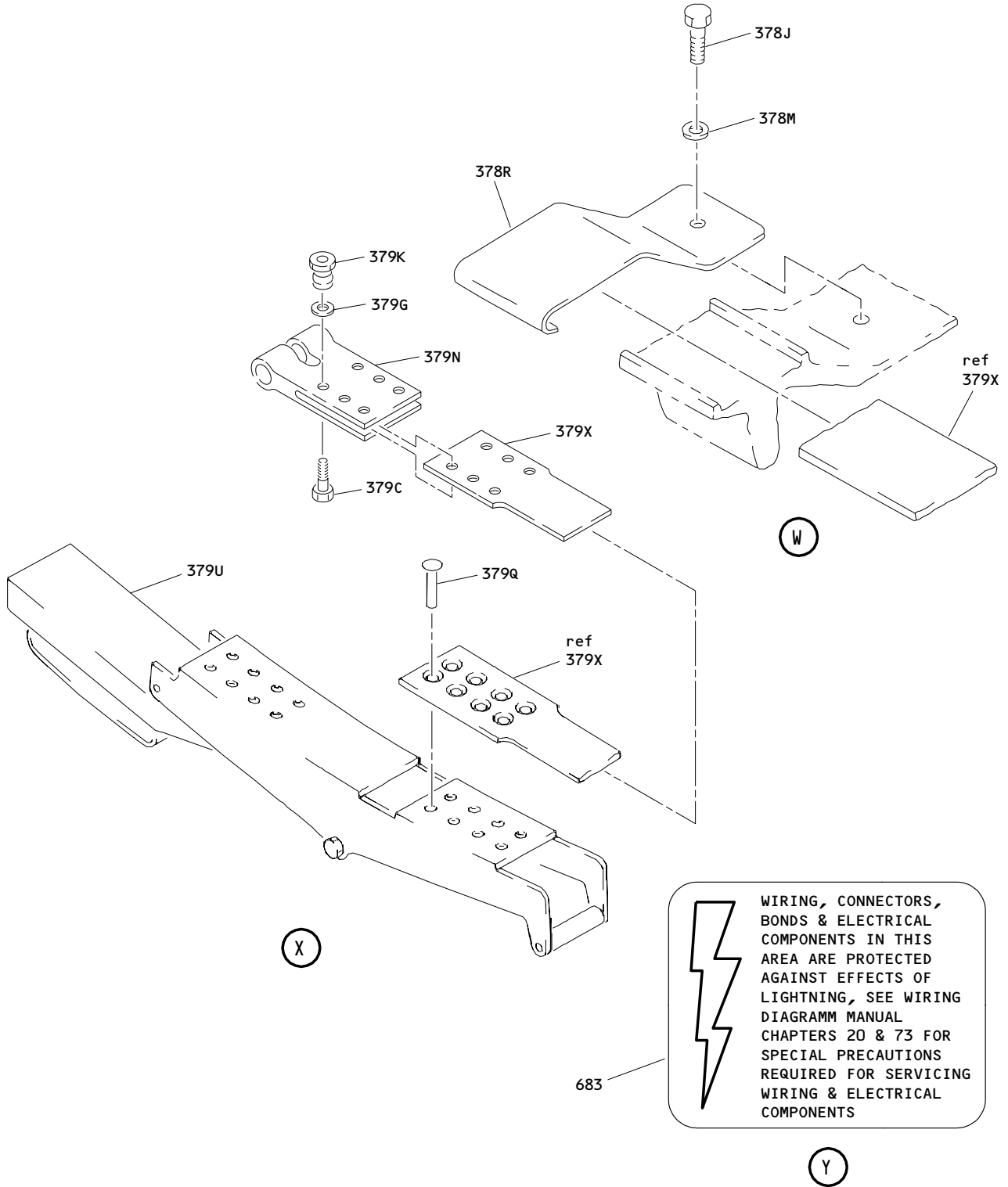
ILLUSTRATED PARTS LIST
 01.101 Page 1014H
 Nov 01/03



Fan Duct Cowling and Thrust Reverser Assembly
Figure 1 (Sheet 10)

78-31-41

ILLUSTRATED PARTS LIST
01.101 Page 1014I
Nov 01/03

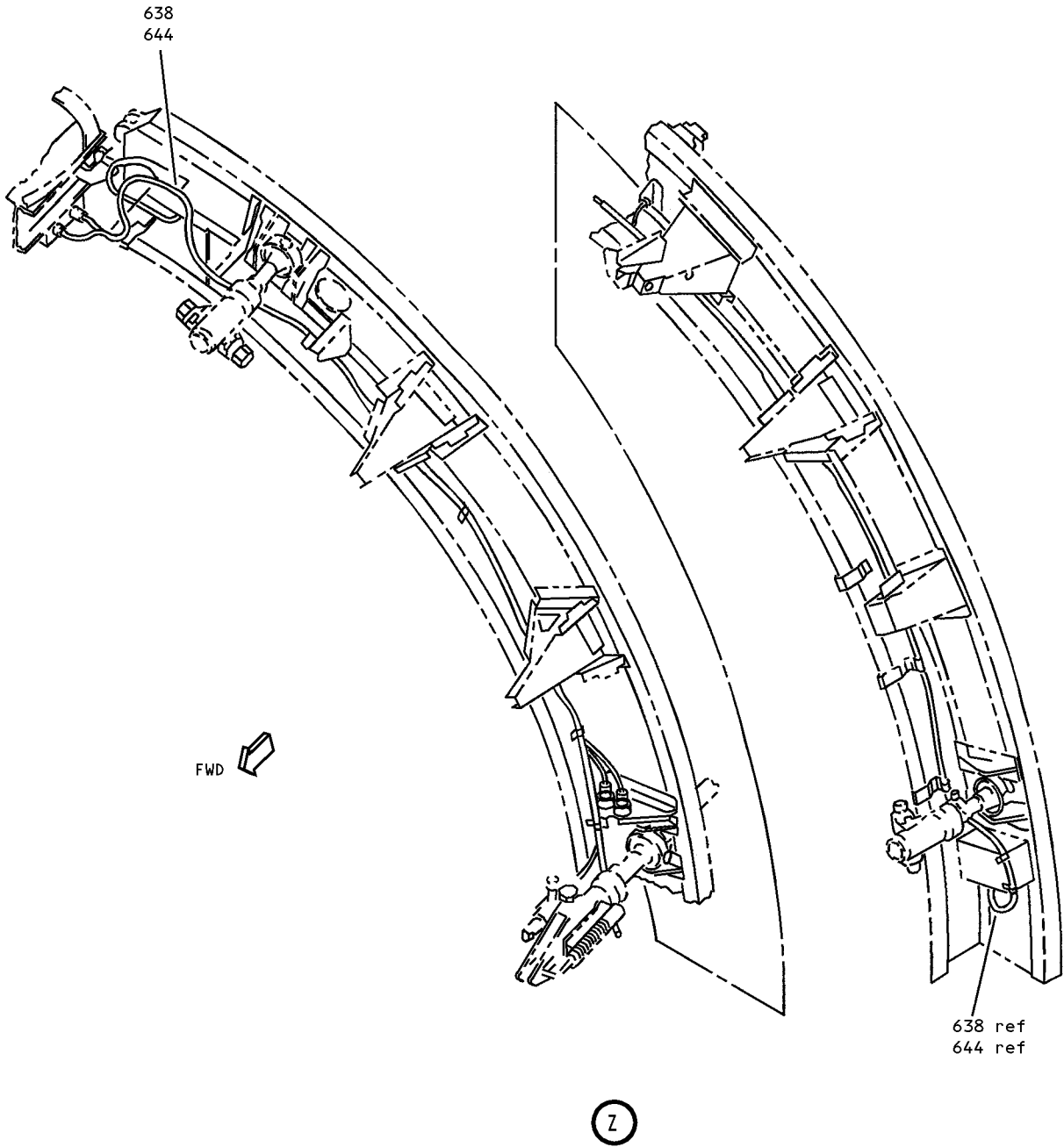


WIRING, CONNECTORS, BONDS & ELECTRICAL COMPONENTS IN THIS AREA ARE PROTECTED AGAINST EFFECTS OF LIGHTNING, SEE WIRING DIAGRAM MANUAL CHAPTERS 20 & 73 FOR SPECIAL PRECAUTIONS REQUIRED FOR SERVICING WIRING & ELECTRICAL COMPONENTS

Fan Duct Cowling and Thrust Reverser Assembly
 Figure 1 (Sheet 11)

78-31-41

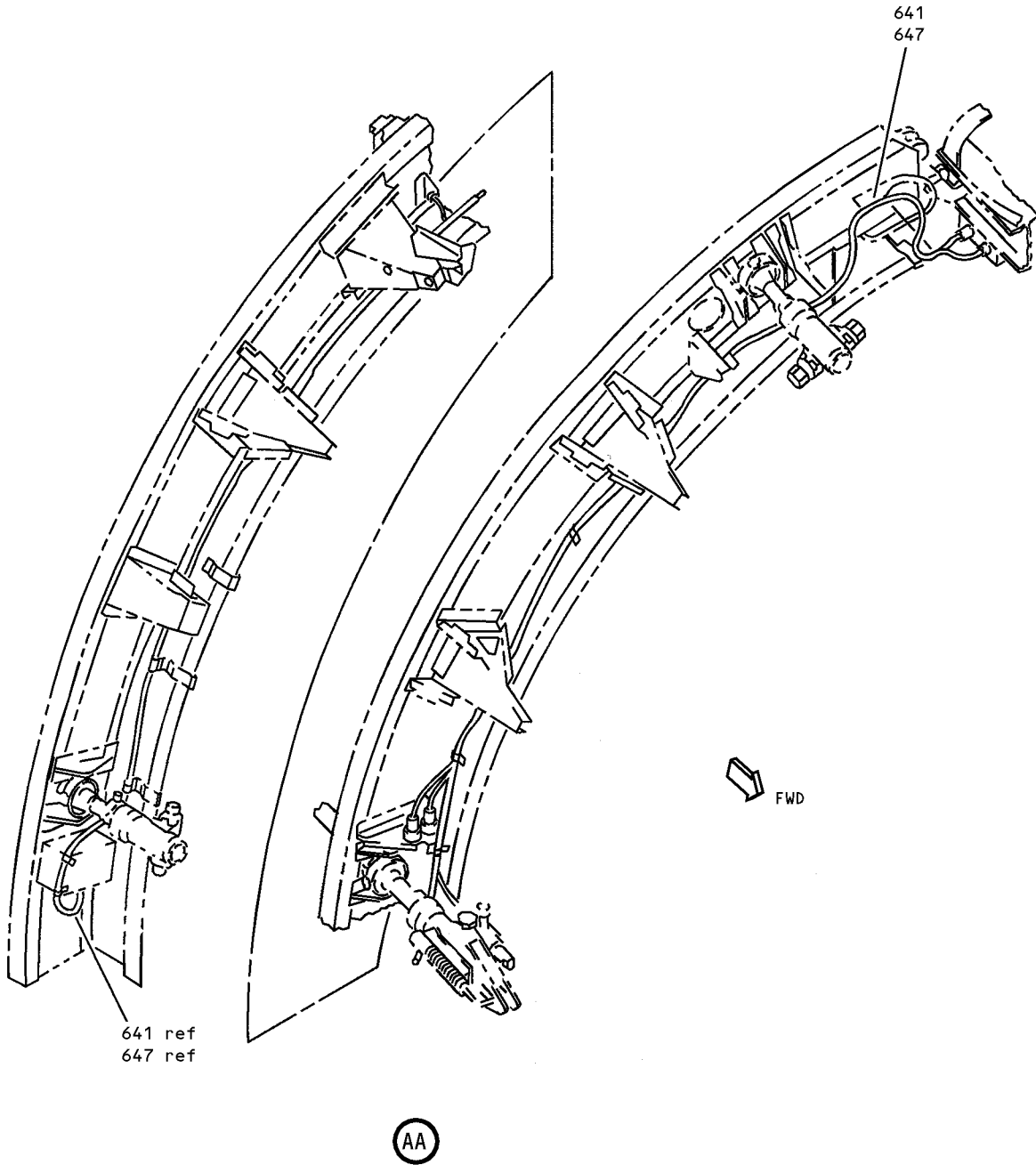
ILLUSTRATED PARTS LIST
 01.1 Page 1014J
 Nov 01/03



Fan Duct Cowling and Thrust Reverser Assembly
Figure 1 (Sheet 12)

78-31-41

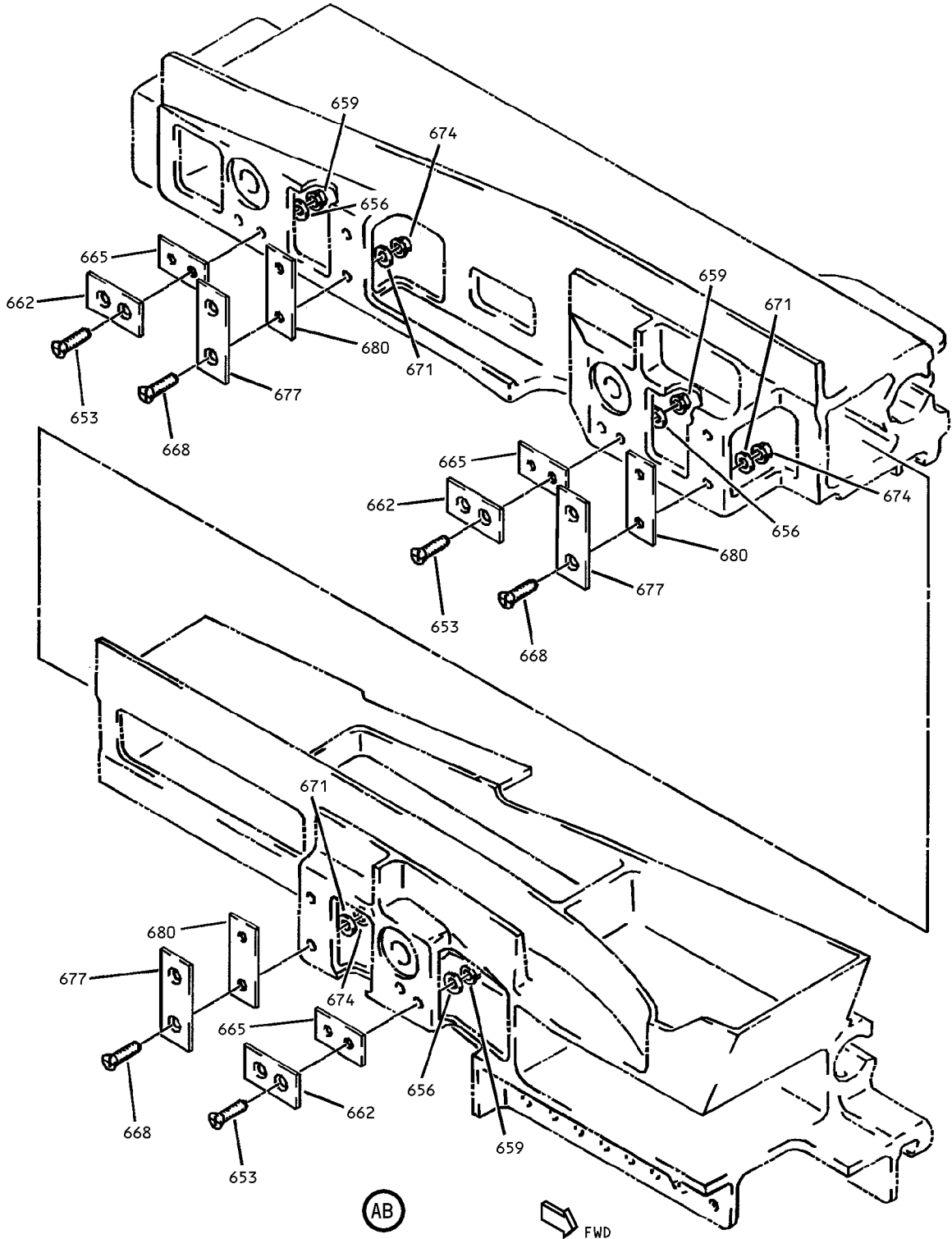
ILLUSTRATED PARTS LIST
01.1 Page 1014K
Nov 01/03



Fan Duct Cowling and Thrust Reverser Assembly
Figure 1 (Sheet 13)

78-31-41

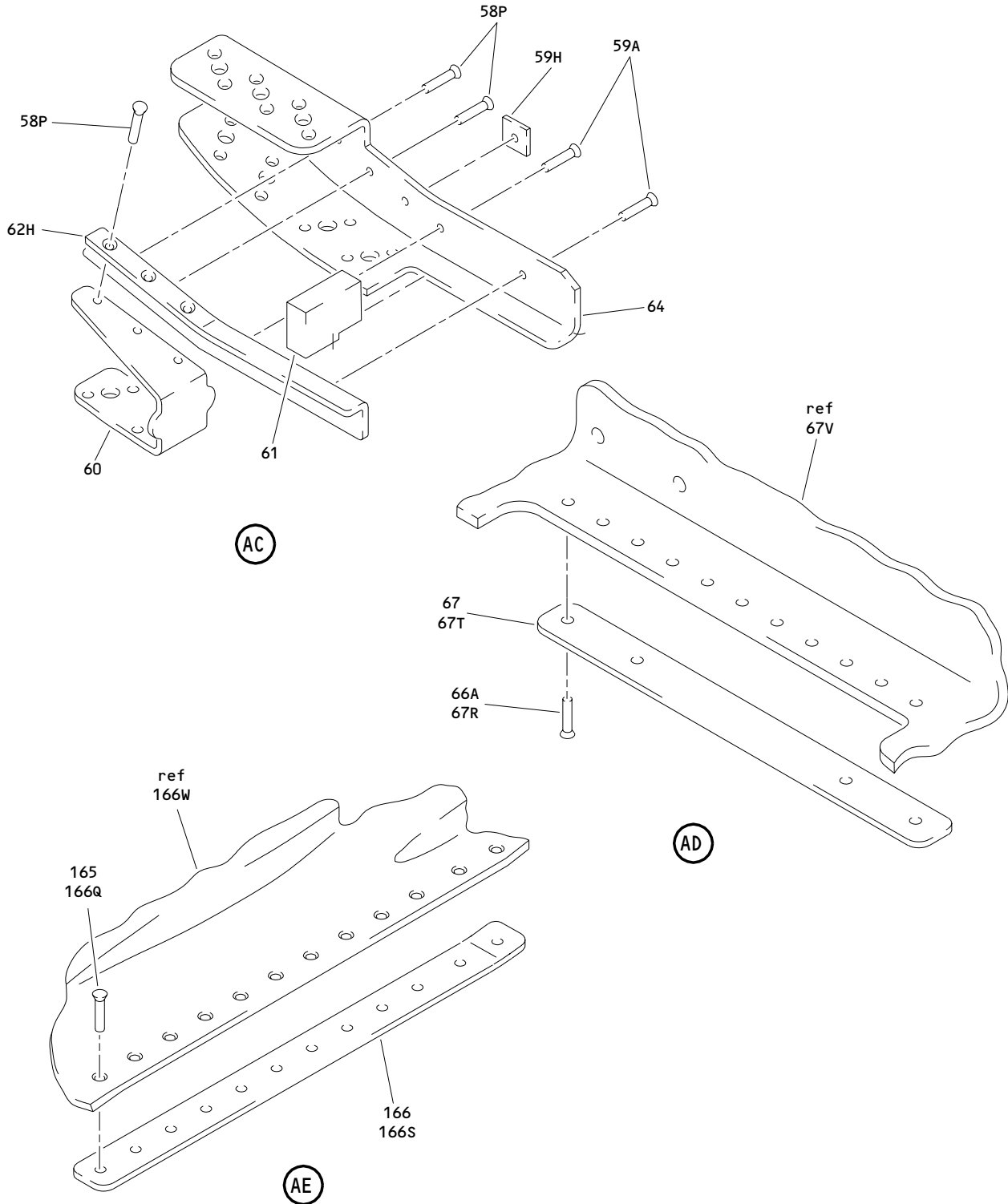
ILLUSTRATED PARTS LIST
01.1 Page 1014L
Nov 01/03



Fan Duct Cowling and Thrust Reverser Assembly
Figure 1 (Sheet 14)

78-31-41

ILLUSTRATED PARTS LIST
01.1 Page 1014M
Nov 01/03



Fan Duct Cowling and Thrust Reverser Assembly
 Figure 1 (Sheet 15)

78-31-41

ILLUSTRATED PARTS LIST
 01.1 Page 1014N
 Nov 01/03



BOEING
COMPONENT
MAINTENANCE MANUAL

FIG. & ITEM	PART NO.	AIRLINE PART NUMBER	NOMENCLATURE 1234567	EFF CODE	QTY PER ASSY
01-			FAN DUCT COWL AND THRUST REVERSER ASSY (747/767)		
-1A	315T4014-5SP		DELETED		
-1B	315T4014-9SP		FAN DUCT COWL AND THRUST-REVERSER ASSY-MANUAL OPENING ACTUATOR (767) (LH SIDE LH ENG)	B	RF
-1C	315T4014-13SP		DELETED		
-1D	315T4014-17SP		DELETED		
-1E	315T4014-25SP		FAN DUCT COWL AND THRUST-REVERSER ASSY-(747) (LH SIDE LH ENGS) (REWORK) (REWORK DWG 315U4009-9) (PRE SB 747-78-2155)	C	RF
-1F	315T4014-29SP		FAN DUCT COWL AND THRUST-REVERSER ASSY-(767) (LH SIDE LH ENG) (REWORK) (REWORK DWG 315U4009-5)	E	RF
-1G	315T4014-33SP		FAN DUCT COWL AND THRUST-REVERSER ASSY-POWER OPENING ACTUATOR (767) (LH SIDE LH ENG) (VARIABLE) (PRE SB 767-78-0062) (PRE SB 747-78-2155)	G	RF
-1H	315T4014-37SP		FAN DUCT COWL AND THRUST-REVERSER ASSY-POWER OPENING ACTUATOR (767) (LH SIDE LH ENG) (VARIABLE) (PRE SB 767-78-0062) (PRE SB 747-78-2155)	N	RF
-1J	315T4014-41SP		FAN DUCT COWL AND THRUST-REVERSER ASSY-(767) (LH SIDE LH ENG) (REWORK)	P	RF
-1K	315T4014-43SP		DELETED		
-1L	315T4014-49SP		FAN DUCT COWL AND THRUST-REVERSER ASSY-(747) (LH SIDE LH ENGS) (REWORK) (PRE SB 747-78-2155)	R	RF

78-31-41

ILLUSTRATED PARTS LIST
01.1 Page 10140
Nov 01/03

FIG. & ITEM	PART NO.	AIRLINE PART NUMBER	NOMENCLATURE 1234567	EFF CODE	QTY PER ASSY
01- -1M	315T4014-53SP		FAN DUCT COWL AND THRUST- REVERSER ASSY-(747) (LH SIDE LH ENGS) (REWORK) (PRE SB 747-78-2155)	S	RF
-1N	315T4014-57SP		FAN DUCT COWL AND THRUST- REVERSER ASSY-(767) (LH SIDE LH ENG) (REWORK) (PRE SB 767-78-0062) (PRE SB 747-78-2155)	T	RF
-1P	315T4014-61SP		FAN DUCT COWL AND THRUST- REVERSER ASSY-MANUAL OPENING ACTUATOR (747) (LH SIDE LH ENGS) (PRE SB 747-78-2155)	U	RF
-1Q	315T4014-65SP		FAN DUCT COWL AND THRUST- REVERSER ASSY-MANUAL OPENING ACTUATOR (767) (LH SIDE LH ENG) (REWORKED BY SB 767-78A0072) (PRE SB 767-78-0062) (PRE SB 747-78-2155)	V	RF
-1R	315T4014-69SP		FAN DUCT COWL AND THRUST- REVERSER ASSY-(767) (LH SIDE LH ENG) (REWORK)	W	RF
-1S	315T4014-71SP		FAN DUCT COWL AND THRUST- REVERSER ASSY-POWER OPRNING ACTUATOR (767) (LH SIDE LH ENG) (VARIABLE) (REWORKED BY SB 767-78A0072) (PRE SB 767-78-0062) (PRE SB 747-78-2155)	X	RF
-1T	315T4014-75SP		FAN DUCT COWL AND THRUST- REVERSER ASSY-(767) (LH SIDE LH ENG) (REWORK) (PRE SB 767-78-0062) (PRE SB 747-78-2155)	BQ	RF
-1U	315T4014-79SP		FAN DUCT COWL AND THRUST- REVERSER ASSY-(747) (LH SIDE LH ENGS) (REWORK) (PRE SB 747-78-2155)	BU	RF

78-31-41

 ILLUSTRATED PARTS LIST
 01.1 Page 1014P
 Nov 01/03

 **BOEING**
COMPONENT
MAINTENANCE MANUAL

FIG. & ITEM	PART NO.	AIRLINE PART NUMBER	NOMENCLATURE 1234567	EFF CODE	QTY PER ASSY
01- -1V	315T4014-83SP		FAN DUCT COWL AND THRUST- REVERSER ASSY-MANUAL OPENING ACTUATOR (747) (LH SIDE LH ENGS) (PRE SB 747-78-2155)	BV	RF
-1W	315T4014-87SP		FAN DUCT COWL AND THRUST- REVERSER ASSY-(747) (LH SIDE LH ENGS) (REWORK) (PRE SB 747-78-2155)	BW	RF
-1X	315T4014-95SP		FAN DUCT COWL AND THRUST- REVERSER ASSY-MANUAL OPENING ACTUATOR (767) (LH SIDE LH ENG)	Q	RF
-1Y	315T4014-99SP		FAN DUCT COWL AND THRUST- REVERSER ASSY-(747) (LH SIDE LH ENGS) (REWORK) (REWORK DWG 315U4009-21) (PRE SB 747-78-2155)	CG	RF
-1Z	315T4014-103SP		FAN DUCT COWL AND THRUST- REVERSER ASSY-(747) (LH SIDE LH ENGS) (REWORK) (REWORK DWG 315U4009-21) (PRE SB 747-78-2155)	CH	RF
-2	315T4014-107SP		FAN DUCT COWL AND THRUST- REVERSER ASSY-(747) (LH SIDE LH ENGS) (REWORK) (REWORK DWG 315U4009-21) (PRE SB 747-78-2155)	CJ	RF
-2A	315T4014-111SP		FAN DUCT COWL AND THRUST- REVERSER ASSY-(747) (LH SIDE LH ENGS) (REWORK) (REWORK DWG 315U4009-21) (PRE SB 747-78-2155)	CK	RF
-2B	315T4014-115SP		FAN DUCT COWL AND THRUST- REVERSER ASSY-MANUAL OPENING ACTUATOR (747) (LH SIDE LH ENGS) (REWORKED BY SB 747-78A2126) (PRE SB 747-78-2155)	DA	RF

78-31-41

ILLUSTRATED PARTS LIST
01.1 Page 1014Q
Nov 01/03

FIG. & ITEM	PART NO.	AIRLINE PART NUMBER	NOMENCLATURE 1234567	EFF CODE	QTY PER ASSY
01- -2C	315T4014-119SP		FAN DUCT COWL AND THRUST- REVERSER ASSY-POWER OPENING ACTUATOR (747) (LH SIDE LH ENGS) (REWORK) (REWORKED BY SB 747-78A2126) (PRE SB 747-78-2155)	DE	RF
-2D	315T4014-123SP		FAN DUCT COWL AND THRUST- REVERSER ASSY-MANUAL OPENING ACTUATOR (767) (LH SIDE LH ENG)	A	RF
-2E	315T4014-127SP		FAN DUCT COWL AND THRUST- REVERSER ASSY-POWER OPENING ACTUATOR (767) (LH SIDE LH ENG) (VARIABLE)	M	RF
-2F	315T4014-131SP		FAN DUCT COWL AND THRUST- REVERSER ASSY-MANUAL OPENING ACTUATOR (767) (LH SIDE LH ENG) (REWORK) (POST SB 767-78-0062) (POST SB 747-78-2155)	CQ	RF
-2G	315T4014-135SP		FAN DUCT COWL AND THRUST- REVERSER ASSY-POWER OPENING ACTUATOR (767) (LH SIDE LH ENG) (REWORK) (POST SB 767-78-0062) (POST SB 747-78-2155)	DL	RF
-2H	315T4014-139SP		FAN DUCT COWL AND THRUST- REVERSER ASSY-MANUAL OPENING ACTUATOR (747) (LH SIDE LH ENGS) (PRE SB 747-78-2155)	DQ	RF
-2J	315T4014-143SP		FAN DUCT COWL AND THRUST- REVERSER ASSY-POWER OPENING ACTUATOR (747) (LH SIDE LH ENGS) (VARIABLE) (PRE SB 747-78-2155)	DU	RF

78-31-41

 ILLUSTRATED PARTS LIST
 01.1 Page 1014R
 Nov 01/03

 **BOEING**
COMPONENT
MAINTENANCE MANUAL

FIG. & ITEM	PART NO.	AIRLINE PART NUMBER	NOMENCLATURE 1234567	EFF CODE	QTY PER ASSY
01- -2K	315T4014-147SP		FAN DUCT COWL AND THRUST- REVERSER ASSY-MANUAL OPENING ACTUATOR (747) (LH SIDE LH ENGS) (REWORK) (PRE SB 747-78-2155)	DY	RF
-2L	315T4014-151SP		FAN DUCT COWL AND THRUST- REVERSER ASSY-POWER OPENING ACTUATOR (747) (LH SIDE LH ENGS) (REWORK) (PRE SB 747-78-2155)	EC	RF
-2M	315T4701-13SP		FAN DUCT COWL AND THRUST- REVERSER ASSY-(LH SIDE LH ENG) (POST SB 767-78-0062) (POST SB 747-78-2155)	EG	RF
-2N	315T4701-17SP		FAN DUCT COWL AND THRUST- REVERSER ASSY-(LH SIDE LH ENG) (POST SB 767-78-0062) (POST SB 747-78-2155)	EL	RF
-2P	315T4701-9SP		FAN DUCT COWL AND THRUST- REVERSER ASSY-(LH SIDE LH ENG) (POST SB 767-78-0062) (POST SB 747-78-2155)	EQ	RF
-2Q	315T4701-5SP		FAN DUCT COWL AND THRUST- REVERSER ASSY-(LH SIDE LH ENG) (POST SB 767-78-0062) (POST SB 747-78-2155)	EU	RF
-2R	315T4701-21SP		FAN DUCT COWL AND THRUST- REVERSER ASSY-(LH SIDE LH ENG) (POST SB 767-78-0062) (POST SB 747-78-2155)	EV	RF
-2S	315T4014-155SP		FAN DUCT COWL AND THRUST- REVERSER ASSY-MANUAL OPENING ACTUATOR (747) (LH SIDE LH ENGS) (POST SB 747-78-2155)	FC	RF

78-31-41

ILLUSTRATED PARTS LIST
01.1 Page 1014S
Nov 01/03

FIG. & ITEM	PART NO.	AIRLINE PART NUMBER	NOMENCLATURE 1234567	EFF CODE	QTY PER ASSY
01- -2T	315T4014-159SP		FAN DUCT COWL AND THRUST- REVERSER ASSY-POWER OPENING ACTUATOR (747) (LH SIDE LH ENGS) (VARIABLE) (POST SB 747-78-2155)	FG	RF
-2U	315T4014-163		FAN DUCT COWL AND THRUST- REVERSER ASSY-(747/767) (LH)	FL	RF
-2V	315T4014-167SP		FAN DUCT COWL AND THRUST- REVERSER ASSY-MANUAL OPENING ACTUATOR (767) (LH SIDE LH ENG)	FM	RF
-2W	315T4014-171SP		FAN DUCT COWL AND THRUST- REVERSER ASSY-POWER OPENING ACTUATOR (767) (LH SIDE LH ENG) (VARIABLE)	FN	RF
-2X	315T4014-175SP		FAN DUCT COWL AND THRUST- REVERSER ASSY-MANUAL OPENING ACTUATOR (747) (LH SIDE LH ENGS)	FP	RF
-2Y	315T4014-179SP		FAN DUCT COWL AND THRUST- REVERSER ASSY-POWER OPENING ACTUATOR (747) (LH SIDE LH ENGS) (VARIABLE)	FQ	RF
-2Z	315T4014-183SP		FAN DUCT COWL AND THRUST- REVERSER ASSY-MANUAL OPENING ACTUATOR (747) (LH SIDE LH ENGS)	GE	RF
-3	315T4014-187SP		FAN DUCT COWL AND THRUST- REVERSER ASSY-POWER OPENING ACTUATOR (747) (LH SIDE LH ENGS) (VARIABLE)	GF	RF
-3A	315T4014-193		FAN DUCT COWL AND THRUST- REVERSER ASSY-UNIQUE, ENG POSITION NO. 2, LH SIDE (747)	GN	RF
-3B	315T4014-195		FAN DUCT COWL AND THRUST- REVERSER ASSY-UNIQUE, ENG POSITION NO. 3, LH SIDE (747)	GP	RF

78-31-41

 ILLUSTRATED PARTS LIST
 01.1 Page 1014T
 Nov 01/03

 **BOEING**
COMPONENT
MAINTENANCE MANUAL

FIG. & ITEM	PART NO.	AIRLINE PART NUMBER	NOMENCLATURE 1234567	EFF CODE	QTY PER ASSY
01- -3C	315T4014-197		FAN DUCT COWL AND THRUST- REVERSER ASSY-UNIQUE, ENG POSITION NO. 4, LH SIDE (747)	GQ	RF
-3D	315T4014-207		FAN DUCT COWL AND THRUST- REVERSER ASSY-UNIQUE, ENG POSITION NO. 1, LH SIDE (767)	GR	RF
-3E	315T4014-209		FAN DUCT COWL AND THRUST- REVERSER ASSY-UNIQUE, ENG POSITION NO. 2, LH SIDE (767)	GS	RF
-3F	315T4014-191		FAN DUCT COWL AND THRUST- REVERSER ASSY-UNIQUE, ENG POSITION NO. 1, LH SIDE (747)	GY	RF

78-31-41

ILLUSTRATED PARTS LIST
01.1 Page 1014U
Nov 01/03

FIG. & ITEM	PART NO.	AIRLINE PART NUMBER	NOMENCLATURE 1234567	EFF CODE	QTY PER ASSY
01-3G	BCREFA4913		<p>END ITEM-FAN DUCT COWL AND THRUST REVERSER (THE FAN DUCT COWL AND THRUST REVERSER ASSYS (FIG. 1; 2U, 3D, 3E), FAIRING INSTLS (FIG. 1; 20A TO 20D, 107A TO 107D), BRACKET ASSYS (FIG. 1; 53B TO 53D), CLIP ASSYS (FIG. 1; 155C TO 155E), INDICATOR INSTLS (FIG. 1; 194D TO 194F), BRACKET INSTLS (FIG. 1; 488B TO 488D, FIG. 9; 1A TO 1C), TUBE INSTLS (FIG. 4; 1C TO 1E), ACTUATOR AND TUBING INSTLS (FIG. 10; 1A TO 1E), LATCH INSTLS (FIG. 11; 1A TO 1C), WIRE BUNDLE INSTLS (FIG. 12; 1A TO 1C, FIG. 13; 1A TO 1F), ROD INSTLS (FIG. 14; 1A TO 1C) AND SWITCH INSTLS (FIG. 15; 1A TO 1C) ARE SUB ASSEMBLIES AND INSTALLATIONS OF THE FAN DUCT COWL AND THRUST REVERSER END ITEMS, PART NUMBERS 315T4295-() (LH SIDE), SEE CMM 78-31-47) (P/N UNASSIGNED)</p>	HA	RF

78-31-41

ILLUSTRATED PARTS LIST
01.1 Page 1014V
Nov 01/03



BOEING
COMPONENT
MAINTENANCE MANUAL

FIG. & ITEM	PART NO.	AIRLINE PART NUMBER	NOMENCLATURE 1234567	EFF CODE	QTY PER ASSY
01- -3H	BCREFA4954		END ITEM-FAN DUCT COWL AND THRUST REVERSER (THE FAN DUCT COWL AND THRUST REVERSER ASSYS (FIG. 1; 2U, 3A TO 3C, 3F), FAIRING INSTLS (FIG. 1: 20A, 20B, 20E TO 20H, 107A, 107B, 107E TO 107H), BRACKET ASSYS (FIG. 1; 53B, 53E TO 53H), CLIP ASSYS (FIG. 1: 155D, 155G TO 155K), INDICATION INSTLS (FIG. 1; 194D, 194G TO 194K), BRACKET INSTLS (FIG. 1: 488B, 488E TO 488H, FIG. 9; 1A, 1D TO 1G), TUBE INSTLS (FIG. 4; 1C, 1F TO 1J), ACTUATOR AND TUBING INSTLS (FIG. 10: 1A, 1F TO 1N), LATCH INSTL (FIG. 11: 1A, 1D TO 1G), WIRE BUNDLE INSTLS (FIG. 12; 1D TO 1H, FIG. 13; 1G TO 1R), ROD INSTLS (FIG. 14: 1A, 1D TO 1G) AND SWITCH INSTLS (FIG. 15; 1D TO 1H) ARE SUB ASSEMBLIES AND INSTALLATIONS OF THE FAN DUCT COWL AND THRUST REVERSER END ITEMS, PART NUMBERS 315U4295-() (LH SIDE), SEE CMM 78-31-48) (P/N UNASSIGNED)	HC	RF
-5	315T4014-2SP		DELETED		
-5A	315T4014-6SP		DELETED		
-5B	315T4014-10SP		FAN DUCT COWL AND THRUST-REVERSER ASSY-MANUAL OPENING ACTUATOR (767) (LH SIDE RH ENG)	F	RF
-5C	315T4014-14SP		DELETED		
-5D	315T4014-18SP		DELETED		
-5E	315T4014-22SP		DELETED		

78-31-41

ILLUSTRATED PARTS LIST
01.1 Page 1014W
Nov 01/03

FIG. & ITEM	PART NO.	AIRLINE PART NUMBER	NOMENCLATURE 1234567	EFF CODE	QTY PER ASSY
01- -5F	315T4014-26SP		FAN DUCT COWL AND THRUST- REVERSER ASSY-(747) (RH SIDE LH ENGS) (REWORK) (REWORK DWG 315U4009-10) (PRE SB 747-78-2155)	AA	RF
-5G	315T4014-30SP		FAN DUCT COWL AND THRUST- REVERSER ASSY-(747) (RH SIDE LH ENGS) (REWORK) (REWORK DWG 315U4009-6)	AB	RF
-5H	315T4014-34SP		FAN DUCT COWL AND THRUST- REVERSER ASSY-POWER OPENING ACTUATOR (767) (RH SIDE LH ENG) (VARIABLE) (PRE SB 767-78-0062) (PRE SB 747-78-2155)	AC	RF
-5J	315T4014-38SP		FAN DUCT COWL AND THRUST- REVERSER ASSY-POWER OPENING ACTUATOR (767) (RH SIDE LH ENG) (VARIABLE) (PRE SB 767-78-0062) (PRE SB 747-78-2155)	AD	RF
-5K	315T4014-50SP		FAN DUCT COWL AND THRUST- REVERSER ASSY-(747) (RH SIDE LH ENGS) (REWORK) (PRE SB 747-78-2155)	AE	RF
-5L	315T4014-54SP		FAN DUCT COWL AND THRUST- REVERSER ASSY-(747) (RH SIDE LH ENGS) (REWORK) (PRE SB 747-78-2155)	AF	RF
-5M	315T4014-58SP		FAN DUCT COWL AND THRUST- REVERSER ASSY-(767) (RH SIDE LH ENG) (REWORK) (PRE SB 767-78-0062) (PRE SB 747-78-2155)	AG	RF
-5N	315T4014-62SP		FAN DUCT COWL AND THRUST- REVERSER ASSY-MANUAL OPENING ACTUATOR (747) (RH SIDE LH ENGS) (PRE SB 747-78-2155)	AH	RF

78-31-41

 ILLUSTRATED PARTS LIST
 01.1 Page 1014X
 Nov 01/03



BOEING
COMPONENT
MAINTENANCE MANUAL

FIG. & ITEM	PART NO.	AIRLINE PART NUMBER	NOMENCLATURE 1234567	EFF CODE	QTY PER ASSY
01- -5P	315T4014-66SP		FAN DUCT COWL AND THRUST- REVERSER ASSY-MANUAL OPENING ACTUATOR (767) (RH SIDE LH ENG) (REWORKED BY SB 767-78A0072) (PRE SB 767-78-0062) (PRE SB 747-78-2155)	AJ	RF
-5Q	315T4014-70SP		FAN DUCT COWL AND THRUST- REVERSER ASSY-(767) (RH SIDE LH ENG) (REWORK)	AK	RF
-5R	315T4014-72SP		FAN DUCT COWL AND THRUST- REVERSER ASSY-POWER OPENING ACTUATOR (767) (RH SIDE LH ENG) (VARIABLE) (REWORKED BY SB 767-78A0072) (PRE SB 767-78-0062) (PRE SB 747-78-2155)	AL	RF
-5S	315T4014-76SP		FAN DUCT COWL AND THRUST- REVERSER ASSY-(767) (RH SIDE LH ENG) (REWORK) (PRE SB 767-78-0062) (PRE SB 747-78-2155)	BR	RF
-5T	315T4014-80SP		FAN DUCT COWL AND THRUST- REVERSER ASSY-(747) (RH SIDE LH ENGS) (REWORK) (PRE SB 747-78-2155)	BX	RF
-5U	315T4014-84SP		FAN DUCT COWL AND THRUST- REVERSER ASSY-MANUAL OPENING ACTUATOR (747) (RH SIDE LH ENGS) (PRE SB 747-78-2155)	BY	RF
-5V	315T4014-88SP		FAN DUCT COWL AND THRUST- REVERSER ASSY-(747) (RH SIDE LH ENG) (REWORK) (PRE SB 747-78-2155)	BZ	RF
-5W	315T4014-96SP		FAN DUCT COWL AND THRUST- REVERSER ASSY-MANUAL OPENING ACTUATOR (767) (RH SIDE LH ENG)	Z	RF

78-31-41

ILLUSTRATED PARTS LIST
01.1 Page 1014Y
Nov 01/03

FIG. & ITEM	PART NO.	AIRLINE PART NUMBER	NOMENCLATURE 1234567	EFF CODE	QTY PER ASSY
01- -5X	315T4014-100SP		FAN DUCT COWL AND THRUST- REVERSER ASSY-(747) (RH SIDE LH ENGS) (REWORK) (REWORK DWG 315U4009-22) (PRE SB 747-78-2155)	CL	RF
-5Y	315T4014-104SP		FAN DUCT COWL AND THRUST- REVERSER ASSY-(747) (RH SIDE LH ENGS) (REWORK) (REWORK DWG 315U4009-22) (PRE SB 747-78-2155)	CM	RF
-5Z	315T4014-108SP		FAN DUCT COWL AND THRUST- REVERSER ASSY-(747) (RH SIDE LH ENGS) (REWORK) (REWORK DWG 315U4009-22) (PRE SB 747-78-2155)	CN	RF
-6	315T4014-112SP		FAN DUCT COWL AND THRUST- REVERSER ASSY-(747) (RH SIDE LH ENGS) (REWORK) (REWORK DWG 315U4009-22) (PRE SB 747-78-2155)	CP	RF
-6A	315T4014-116SP		FAN DUCT COWL AND THRUST- REVERSER ASSY-MANUAL OPENING ACTUATOR (747) (RH SIDE LH ENGS) (REWORKED BY SB 747-78A2126) (PRE SB 747-78-2155)	DB	RF
-6B	315T4014-120SP		FAN DUCT COWL AND THRUST- REVERSER ASSY-POWER OPENING ACTUATOR (747) (RH SIDE LH ENGS) (REWORK) (REWORKED BY SB 747-78A2126) (PRE SB 747-78-2155)	DF	RF
-6C	315T4014-124SP		FAN DUCT COWL AND THRUST- REVERSER ASSY-MANUAL OPENING ACTUATOR (767) (RH SIDE LH ENG)	J	RF

78-31-41

 ILLUSTRATED PARTS LIST
 01.1 Page 1014Z
 Nov 01/03

 **BOEING**
COMPONENT
MAINTENANCE MANUAL

FIG. & ITEM	PART NO.	AIRLINE PART NUMBER	NOMENCLATURE 1234567	EFF CODE	QTY PER ASSY
01- -6D	315T4014-128SP		FAN DUCT COWL AND THRUST- REVERSER ASSY-POWER OPENING ACTUATOR (767) (RH SIDE LH ENG) (VARIABLE)	Y	RF
-6E	315T4014-132SP		FAN DUCT COWL AND THRUST- REVERSER ASSY-MANUAL OPENING ACTUATOR (767) (RH SIDE LH ENG) (REWORK) (POST SB 767-78-0062) (POST SB 747-78-2155)	CZ	RF
-6F	315T4014-136SP		FAN DUCT COWL AND THRUST- REVERSER ASSY-POWER OPENING ACTUATOR (767) (RH SIDE LH ENG) (REWORK) (POST SB 767-78-0062) (POST SB 747-78-2155)	DM	RF
-6G	315T4014-140SP		FAN DUCT COWL AND THRUST- REVERSER ASSY-MANUAL OPENING ACTUATOR (747) (RH SIDE LH ENGS) (PRE SB 747-78-2155)	DR	RF
-6H	315T4014-144SP		FAN DUCT COWL AND THRUST- REVERSER ASSY-POWER OPENING ACTUATOR (747) (RH SIDE LH ENGS) (VARIABLES) (PRE SB 747-78-2155)	DV	RF
-6J	315T4014-148SP		FAN DUCT COWL AND THRUST- REVERSER ASSY-MANUAL OPENING ACTUATOR (747) (RH SIDE LH ENGS) (REWORK) (PRE SB 747-78-2155)	DZ	RF
-6K	315T4014-152SP		FAN DUCT COWL AND THRUST- REVERSER ASSY-POWER OPENING ACTUATOR (747) (RH SIDE LH ENGS) (REWORK) (PRE SB 747-78-2155)	ED	RF
-6L	315T4701-14SP		FAN DUCT COWL AND THRUST- REVERSER ASSY-(RH SIDE LH ENG) (POST SB 767-78-0062) (POST SB 747-78-2155)	EH	RF

78-31-41

ILLUSTRATED PARTS LIST
01.1 Page 1015
Nov 01/03

FIG. & ITEM	PART NO.	AIRLINE PART NUMBER	NOMENCLATURE 1234567	EFF CODE	QTY PER ASSY
01- -6M	315T4701-18SP		FAN DUCT COWL AND THRUST- REVERSER ASSY-(RH SIDE LH ENG) (POST SB 767-78-0062) (POST SB 747-78-2155)	EM	RF
-6N	315T4701-10SP		FAN DUCT COWL AND THRUST- REVERSER ASSY-(RH SIDE LH ENG) (POST SB 767-78-0062) (POST SB 747-78-2155)	ER	RF
-6P	315T4701-6SP		FAN DUCT COWL AND THRUST- REVERSER ASSY-(RH SIDE LH ENG) (POST SB 767-78-0062) (POST SB 747-78-2155)	EW	RF
-6Q	315T4701-22SP		FAN DUCT COWL AND THRUST- REVERSER ASSY-(RH SIDE LH ENG) (POST SB 767-78-0062) (POST SB 747-78-2155)	EX	RF
-6R	315T4014-156SP		FAN DUCT COWL AND THRUST- REVERSER ASSY-MANUAL OPENING ACTUATOR (747) (RH SIDE LH ENGS) (POST SB 747-78-2155)	FD	RF
-6S	315T4014-160SP		FAN DUCT COWL AND THRUST- REVERSER ASSY-POWER OPENING ACTUATOR (747) (RH SIDE LH ENGS) (VARIABLE) (POST SB 747-78-2155)	FH	RF
-6T	315T4014-164		FAN DUCT COWL AND THRUST- REVERSER ASSY-(747/767) (RH)	FR	RF
-6U	315T4014-168SP		FAN DUCT COWL AND THRUST- REVERSER ASSY-MANUAL OPENING ACTUATOR (767) (RH SIDE LH ENG)	FS	RF
-6V	315T4014-172SP		FAN DUCT COWL AND THRUST- REVERSER ASSY-POWER OPENING ACTUATOR (767) (RH SIDE LH ENG) (VARIABLE)	FT	RF

78-31-41

 ILLUSTRATED PARTS LIST
 01.1 Page 1016
 Nov 01/03

 **BOEING**
COMPONENT
MAINTENANCE MANUAL

FIG. & ITEM	PART NO.	AIRLINE PART NUMBER	NOMENCLATURE 1234567	EFF CODE	QTY PER ASSY
01- -6W	315T4014-176SP		FAN DUCT COWL AND THRUST- REVERSER ASSY-MANUAL OPENING ACTUATOR (747) (RH SIDE LH ENGS)	FU	RF
-6X	315T4014-180SP		FAN DUCT COWL AND THRUST- REVERSER ASSY-POWER OPENING ACTUATOR (747) (RH SIDE LH ENGS) (VARIABLE)	FV	RF
-6Y	315T4014-184SP		FAN DUCT COWL AND THRUST- REVERSER ASSY-MANUAL OPENING ACTUATOR (747) (RH SIDE LH ENGS)	GG	RF
-6Z	315T4014-188SP		FAN DUCT COWL AND THRUST- REVERSER ASSY-POWER OPENING ACTUATOR (747) (RH SIDE LH ENGINES) (VARIABLE)	GH	RF
-7	315T4014-194		FAN DUCT COWL AND THRUST- REVERSER ASSY-UNIQUE, ENG POSITION NO. 2, RH SIDE (747)	GT	RF
-7A	315T4014-196		FAN DUCT COWL AND THRUST- REVERSER ASSY-UNIQUE, ENG POSITION NO. 3, RH SIDE (747)	GU	RF
-7B	315T4014-198		FAN DUCT COWL AND THRUST- REVERSER ASSY-UNIQUE, ENG POSITION NO. 4, RH SIDE (747)	GV	RF
-7C	315T4014-208		FAN DUCT COWL AND THRUST- REVERSER ASSY-UNIQUE, ENG POSITION NO. 1, RH SIDE (767)	GW	RF
-7D	315T4014-210		FAN DUCT COWL AND THRUST- REVERSER ASSY-UNIQUE, ENG POSITION NO. 2, RH SIDE (767)	GX	RF
-7E	315T4014-192		FAN DUCT COWL AND THRUST- REVERSER ASSY-UNIQUE, ENG POSITION NO. 1, RH SIDE (747)	GZ	RF

78-31-41

ILLUSTRATED PARTS LIST
01.1 Page 1016A
Nov 01/03

FIG. & ITEM	PART NO.	AIRLINE PART NUMBER	NOMENCLATURE	EFF CODE	QTY PER ASSY
01-7F	BCREFA4914		1234567 END ITEM-FAN DUCT COWL AND THRUST REVERSER (THE FAN DUCT COWL AND THRUST REVERSER ASSYS (FIG. 1; 6T, 7C, 7D), FAIRING INSTLS (FIG. 1; 23A TO 23D, 110A TO 110D), BRACKET ASSYS (FIG. 1; 56B TO 56D), CLIP ASSYS (FIG. 1; 158C TO 158E), INDICATOR INSTLS (FIG. 1; 197D TO 197F), BRACKET INSTLS (FIG. 1; 491B TO 491D, FIG. 9; 5 TO 5B), TUBE INSTLS (FIG. 4; 5C TO 5E), ACTUATOR AND TUBING INSTLS (FIG. 10; 5 TO 5D), LATCH INSTLS (FIG. 11; 5 TO 5B), WIRE BUNDLE INSTLS (FIG. 12; 5 TO 5B, FIG. 13; 5 TO 5E), ROD INSTLS (FIG. 14; 5 TO 5B) AND SWITCH INSTLS (FIG. 15; 5 TO 5B) ARE SUB ASSEMBLIES AND INSTALLATIONS OF THE FAN DUCT COWL AND THRUST REVERSER END ITEMS, PART NUMBERS 315T4295-() (RH SIDE), SEE CMM 78-31-47) (P/N UNASSIGNED)	HB	RF

78-31-41

 ILLUSTRATED PARTS LIST
 01.1 Page 1016B
 Nov 01/03

BOEING
COMPONENT
MAINTENANCE MANUAL

FIG. & ITEM	PART NO.	AIRLINE PART NUMBER	NOMENCLATURE 1234567	EFF CODE	QTY PER ASSY
01- -7G	BCREFA4955		END ITEM-FAN DUCT COWL AND THRUST REVERSER (THE FAN DUCT COWL AND THRUST REVERSER ASSYS (FIG. 1; 6T, 7 TO 7B, 7E), FAIRING INSTLS (FIG. 1: 23A, 23B, 23E TO 23H, 110A, 110B, 110E TO 110H), BRACKET ASSYS (FIG. 1; 56B, 56E TO 56H), CLIP ASSYS (FIG. 1: 158D, 158G TO 158K), INDICATION INSTLS (FIG. 1; 197D, 197G TO 197K), BRACKET INSTLS (FIG. 1: 491B, 491E TO 491H, FIG. 9; 5, 5C TO 5F), TUBE INSTLS (FIG. 4; 5C, 5F TO 5J), ACTUATOR AND TUBING INSTLS (FIG. 10: 5, 5E TO 5M), LATCH INSTL (FIG. 11: 5, 5C TO 5F), WIRE BUNDLE INSTLS (FIG. 12; 5C TO 5G, FIG. 13; 5F TO 5Q), ROD INSTLS (FIG. 14: 5, 5C TO 5F) AND SWITCH INSTLS (FIG. 15; 5C TO 5G) ARE SUB ASSEMBLIES AND INSTALLATIONS OF THE FAN DUCT COWL AND THRUST REVERSER END ITEMS, PART NUMBERS 315U4295-() (RH SIDE), SEE CMM 78-31-48) (P/N UNASSIGNED)	HD	RF
-10	315T4014-3SP		DELETED		
-10A	315T4014-7SP		DELETED		
-10B	315T4014-11SP		FAN DUCT COWL AND THRUST-REVERSER ASSY-MANUAL OPENING ACTUATOR (767) (LH SIDE RH ENG)	D	RF
-10C	315T4014-15SP		DELETED		
-10D	315T4014-19SP		DELETED		
-10E	315T4014-23SP		DELETED		

78-31-41

ILLUSTRATED PARTS LIST
01.1 Page 1016C
Nov 01/03

FIG. & ITEM	PART NO.	AIRLINE PART NUMBER	NOMENCLATURE 1234567	EFF CODE	QTY PER ASSY
01- -10F	315T4014-27SP		FAN DUCT COWL AND THRUST- REVERSER ASSY-(747) (LH SIDE RH ENGS) (REWORK) (REWORK DWG 314U4009-11) (PRE SB 747-78-2155)	AP	RF
-10G	315T4014-31SP		FAN DUCT COWL AND THRUST- REVERSER ASSY-(767) (LH SIDE RH ENG) (REWORK) (REWORK DWG 315U4009-7)	AQ	RF
-10H	315T4014-35SP		FAN DUCT COWL AND THRUST- REVERSER ASSY-POWER OPENING ACTUATOR (767) (LH SIDE RH ENG) (VARIABLE) (PRE SB 767-78-0062) (PRE SB 747-78-2155)	AR	RF
-10J	315T4014-39SP		FAN DUCT COWL AND THRUST- REVERSER ASSY-POWER OPENING ACTUATOR (767) (LH SIDE RH ENG) (VARIABLE) (PRE SB 767-78-0062) (PRE SB 747-78-2155)	AS	RF
-10K	315T4014-47SP		FAN DUCT COWL AND THRUST- REVERSER ASSY-(767) (LH SIDE RH ENG) (REWORK)	AT	RF
-10L	315T4014-51SP		FAN DUCT COWL AND THRUST- REVERSER ASSY-(747) (LH SIDE RH ENGS) (REWORK) (PRE SB 747-78-2155)	AU	RF
-10M	315T4014-55SP		FAN DUCT COWL AND THRUST- REVERSER ASSY-(747) (LH SIDE RH ENGS) (REWORK) (PRE SB 747-78-2155)	AV	RF
-10N	315T4014-59SP		FAN DUCT COWL AND THRUST- REVERSER ASSY-(767) (LH SIDE RH ENG) (REWORK) (PRE SB 767-78-0062) (PRE SB 747-78-2155)	AW	RF

78-31-41

 ILLUSTRATED PARTS LIST
 01.1 Page 1016D
 Nov 01/03



BOEING
COMPONENT
MAINTENANCE MANUAL

FIG. & ITEM	PART NO.	AIRLINE PART NUMBER	NOMENCLATURE 1234567	EFF CODE	QTY PER ASSY
01- -10P	315T4014-63SP		FAN DUCT COWL AND THRUST- REVERSER ASSY-MANUAL OPENING ACTUATOR (747) (LH SIDE RH ENGS) (PRE SB 747-78-2155)	AX	RF
-10Q	315T4014-67SP		FAN DUCT COWL AND THRUST- REVERSER ASSY-MANUAL OPENING ACTUATOR (767) (LH SIDE RH ENG) (REWORKED BY SB 767-78A0072) (PRE SB 767-78-0062) (PRE SB 747-78-2155)	AY	RF
-10R	315T4014-73SP		FAN DUCT COWL AND THRUST- REVERSER ASSY-POWER OPENING ACTUATOR (767) (LH SIDE RH ENG) (VARIABLE) (REWORKED BY SB 767-78A0072) (PRE SB 767-78-0062) (PRE SB 747-78-2155)	AZ	RF
-10S	315T4014-77SP		FAN DUCT COWL AND THRUST- REVERSER ASSY-(767) (LH SIDE RH ENG) (REWORK) (PRE SB 767-78-0062) (PRE SB 747-78-2155)	BS	RF
-10T	315T4014-81SP		FAN DUCT COWL AND THRUST- REVERSER ASSY-(747) (LH SIDE RH ENGS) (REWORK) (PRE SB 747-78-2155)	CA	RF
-10U	315T4014-85SP		FAN DUCT COWL AND THRUST- REVERSER ASSY-MANUAL OPENING ACTUATOR (747) (LH SIDE RH ENGS) (PRE SB 747-78-2155)	CB	RF
-10V	315T4014-89SP		FAN DUCT COWL AND THRUST- REVERSER ASSY-(747) (LH SIDE RH ENGS) (REWORK) (PRE SB 747-78-2155)	CC	RF
-10W	315T4014-97SP		FAN DUCT COWL AND THRUST- REVERSER ASSY-MANUAL OPENING ACTUATOR (767) (LH SIDE RH ENG)	AN	RF

78-31-41

ILLUSTRATED PARTS LIST
01.1 Page 1016E
Nov 01/03

FIG. & ITEM	PART NO.	AIRLINE PART NUMBER	NOMENCLATURE 1234567	EFF CODE	QTY PER ASSY
01- -10X	315T4014-101SP		FAN DUCT COWL AND THRUST- REVERSER ASSY-(747) (LH SIDE RH ENGS) (REWORK) (REWORK DWG 315U4009-23) (PRE SB 747-78-2155)	CR	RF
-10Y	315T4014-105SP		FAN DUCT COWL AND THRUST- REVERSER ASSY-(747) (LH SIDE RH ENGS) (REWORK) (REWORK DWG 315U4009-23) (PRE SB 747-78-2155)	CS	RF
-10Z	315T4014-109SP		FAN DUCT COWL AND THRUST- REVERSER ASSY-(747) (LH SIDE RH ENGS) (REWORK) (REWORK DWG 315U4009-23) (PRE SB 747-78-2155)	CT	RF
-11	315T4014-113SP		FAN DUCT COWL AND THRUST- REVERSER ASSY-(747) (LH SIDE RH ENGS) (REWORK) (REWORK DWG 315U4009-23) (PRE SB 747-78-2155)	CU	RF
-11A	315T4014-117SP		FAN DUCT COWL AND THRUST- REVERSER ASSY-MANUAL OPENING ACTUATOR (747) (LH SIDE RH ENGS) (REWORKED BY SB 747-78A2126) (PRE SB 747-78-2155)	DC	RF
-11B	315T4014-121SP		FAN DUCT COWL AND THRUST- REVERSER ASSY-POWER OPENING VARIABLE (747) (LH SIDE RH ENGS) (REWORK) (REWORKED BY SB 747-78A2126) (PRE SB 747-78-2155)	DG	RF
-11C	315T4014-125SP		FAN DUCT COWL AND THRUST- REVERSER ASSY-MANUAL OPENING ACTUATOR (767) (LH SIDE RH ENG)	K	RF

78-31-41

 ILLUSTRATED PARTS LIST
 01.1 Page 1016F
 Nov 01/03

 **BOEING**
COMPONENT
MAINTENANCE MANUAL

FIG. & ITEM	PART NO.	AIRLINE PART NUMBER	NOMENCLATURE 1234567	EFF CODE	QTY PER ASSY
01- -11D	315T4014-129SP		FAN DUCT COWL AND THRUST- REVERSER ASSY-POWER OPENING ACTUATOR (767) (LH SIDE RH ENG) (VARIABLE)	AM	RF
-11E	315T4014-133SP		FAN DUCT COWL AND THRUST- REVERSER ASSY-MANUAL OPENING ACTUATOR (767) (LH SIDE RH ENG) (REWORK) (POST SB 767-78-0062) (POST SB 747-78-2155)	DJ	RF
-11F	315T4014-137SP		FAN DUCT COWL AND THRUST- REVERSER ASSY-POWER OPENING ACTUATOR (767) (LH SIDE RH ENG) (REWORK) (POST SB 767-78-0062) (POST SB 747-78-2155)	DN	RF
-11G	315T4014-141SP		FAN DUCT COWL AND THRUST- REVERSER ASSY-MANUAL OPENING ACTUATOR (747) (LH SIDE RH ENGS) (PRE SB 747-78-2155)	DS	RF
-11H	315T4014-145SP		FAN DUCT COWL AND THRUST- REVERSER ASSY-POWER OPENING ACTUATOR (747) (LH SIDE RH ENG) (VARIABLE) (PRE SB 747-78-2155)	DW	RF
-11J	315T4014-149SP		FAN DUCT COWL AND THRUST- REVERSER ASSY-MANUAL OPENING ACTUATOR (747) (LH SIDE RH ENGS) (REWORK) (PRE SB 747-78-2155)	EA	RF
-11K	315T4014-153SP		FAN DUCT COWL AND THRUST- REVERSER ASSY-POWER OPENING ACTUATOR (747) (LH SIDE RH ENGS) (REWORK) (PRE SB 747-78-2155)	EE	RF
-11L	315T4701-15SP		FAN DUCT COWL AND THRUST- REVERSER ASSY-(LH SIDE RH ENG) (POST SB 767-78-0062) (POST SB 747-78-2155)	EJ	RF

78-31-41

ILLUSTRATED PARTS LIST
01.1 Page 1016G
Nov 01/03

FIG. & ITEM	PART NO.	AIRLINE PART NUMBER	NOMENCLATURE 1234567	EFF CODE	QTY PER ASSY
01- -11M	315T4701-19SP		FAN DUCT COWL AND THRUST- REVERSER ASSY-(LH SIDE RH ENG) (POST SB 767-78-0062) (POST SB 747-78-2155)	EN	RF
-11N	315T4701-11SP		FAN DUCT COWL AND THRUST- REVERSER ASSY-(LH SIDE RH ENG) (POST SB 767-78-0062) (POST SB 747-78-2155)	ES	RF
-11P	315T4701-7SP		FAN DUCT COWL AND THRUST- REVERSER ASSY-(LH SIDE RH ENG) (POST SB 767-78-0062) (POST SB 747-78-2155)	EY	RF
-11Q	315T4701-23SP		FAN DUCT COWL AND THRUST- REVERSER ASSY-(LH SIDE RH ENG) (POST SB 767-78-0062) (POST SB 747-78-2155)	EZ	RF
-11R	315T4014-157SP		FAN DUCT COWL AND THRUST- REVERSER ASSY-MANUAL OPENING ACTUATOR (747) (LH SIDE RH ENGS) (POST SB 747-78-2155)	FE	RF
-11S	315T4014-161SP		FAN DUCT COWL AND THRUST- REVERSER ASSY-POWER OPENING ACTUATOR (747) (LH SIDE RH ENGS) (VARIABLE) (POST SB 747-78-2155)	FJ	RF
-11T	315T4014-169SP		FAN DUCT COWL AND THRUST- REVERSER ASSY-MANUAL OPENING ACTUATOR (767) (LH SIDE RH ENG)	FW	RF
-11U	315T4014-173SP		FAN DUCT COWL AND THRUST- REVERSER ASSY-POWER OPENING ACTUATOR (767) (LH SIDE RH ENG) (VARIABLE)	FX	RF
-11V	315T4014-177SP		FAN DUCT COWL AND THRUST- REVERSER ASSY-MANUAL OPENING ACTUATOR (747) (LH SIDE RH ENGS)	FY	RF

78-31-41

 ILLUSTRATED PARTS LIST
 01.1 Page 1016H
 Nov 01/03

 **BOEING**
COMPONENT
MAINTENANCE MANUAL

FIG. & ITEM	PART NO.	AIRLINE PART NUMBER	NOMENCLATURE 1234567	EFF CODE	QTY PER ASSY
01- -11W	315T4014-181SP		FAN DUCT COWL AND THRUST- REVERSER ASSY-POWER OPENING ACTUATOR (747) (LH SIDE RH ENGS) (VARIABLE)	FZ	RF
-11X	315T4014-185SP		FAN DUCT COWL AND THRUST- REVERSER ASSY-MANUAL OPENING ACTUATOR (747) (LH SIDE RH ENGS)	GJ	RF
-11Y	315T4014-189SP		FAN DUCT COWL AND THRUST- REVERSER ASSY-POWER OPENING ACTUATOR (747) (LH SIDE RH ENGS) (VARIABLE)	GK	RF
-15	315T4014-4SP		DELETED		
-15A	315T4014-8SP		DELETED		
-15B	315T4014-12SP		FAN DUCT COWL AND THRUST- REVERSER ASSY-MANUAL OPENING ACTUATOR (767) (RH SIDE RH ENG)	H	RF
-15C	315T4014-16SP		DELETED		
-15D	315T4014-20SP		DELETED		
-15E	315T4014-28SP		FAN DUCT COWL AND THRUST- REVERSER ASSY-(747) (RH SIDE RH ENGS) (REWORK) (REWORK DWG 315U4009-12) (PRE SB 747-78-2155)	BB	RF
-15F	315T4014-32SP		FAN DUCT COWL AND THRUST- REVERSER ASSY-(747) (RH SIDE RH ENGS) (REWORK) (REWORK DWG 315U4009-8)	BC	RF
-15G	315T4014-36SP		FAN DUCT COWL AND THRUST- REVERSER ASSY-POWER OPENING ACTUATOR (767) (RH SIDE RH ENG) (VARIABLE) (PRE SB 767-78-0062) (PRE SB 747-78-2155)	BD	RF

78-31-41

ILLUSTRATED PARTS LIST
01.1 Page 1016I
Nov 01/03

FIG. & ITEM	PART NO.	AIRLINE PART NUMBER	NOMENCLATURE 1234567	EFF CODE	QTY PER ASSY
01- -15H	315T4014-40SP		FAN DUCT COWL AND THRUST- REVERSER ASSY-POWER OPENING ACTUATOR (767) (RH SIDE RH ENG) (VARIABLE) (PRE SB 767-78-0062) (PRE SB 747-78-2155)	BE	RF
-15J	315T4014-42SP		FAN DUCT COWL AND THRUST- REVERSER ASSY-(767) (RH SIDE RH ENG) (REWORK)	BF	RF
-15K	315T4014-44SP		DELETED		
-15L	315T4014-48SP		FAN DUCT COWL AND THRUST- REVERSER ASSY-(767) (RH SIDE RH ENG) (REWORK)	BH	RF
-15M	315T4014-52SP		FAN DUCT COWL AND THRUST- REVERSER ASSY-(747) (RH SIDE RH ENGS) (REWORK) (PRE SB 747-78-2155)	BJ	RF
-15N	315T4014-56SP		FAN DUCT COWL AND THRUST- REVERSER ASSY-(747) (RH SIDE RH ENGS) (REWORK) (PRE SB 747-78-2155)	BK	RF
-15P	315T4014-60SP		FAN DUCT COWL AND THRUST- REVERSER ASSY-(767) (RH SIDE RH ENG) (REWORK) (PRE SB 767-78-0062) (PRE SB 747-78-2155)	BL	RF
-15Q	315T4014-64SP		FAN DUCT COWL AND THRUST- REVERSER ASSY-MANUAL OPENING ACTUATOR (767) (RH SIDE RH ENG) (PRE SB 747-78-2155)	BM	RF
-15R	315T4014-68SP		FAN DUCT COWL AND THRUST- REVERSER ASSY-MANUAL OPENING ACTUATOR (767) (RH SIDE RH ENG) (REWORKED BY SB 767-78A0072) (PRE SB 767-78-0062) (PRE SB 747-78-2155)	BN	RF

78-31-41

 ILLUSTRATED PARTS LIST
 01.1 Page 1016J
 Nov 01/03

FIG. & ITEM	PART NO.	AIRLINE PART NUMBER	NOMENCLATURE 1234567	EFF CODE	QTY PER ASSY
01- -15S	315T4014-74SP		FAN DUCT COWL AND THRUST- REVERSER ASSY-POWER OPENING ACTUATOR (767) (RH SIDE RH ENG) (VARIABLE) (REWORKED BY SB 767-78A0072) (PRE SB 767-78-0062) (PRE SB 747-78-2155)	BP	RF
-15T	315T4014-78SP		FAN DUCT COWL AND THRUST- REVERSER ASSY-POWER OPENING ACTUATOR (767) (RH SIDE RH ENG) (REWORK) (PRE SB 767-78-0062) (PRE SB 747-78-2155)	BT	RF
-15U	315T4014-82SP		FAN DUCT COWL AND THRUST- REVERSER ASSY-(747) (RH SIDE RH ENGS) (REWORK) (PRE SB 747-78-2155)	CD	RF
-15V	315T4014-86SP		FAN DUCT COWL AND THRUST- REVERSER ASSY-MANUAL OPENING ACTUATOR (747) (RH SIDE RH ENGS) (REWORK) (PRE SB 747-78-2155)	CE	RF
-15W	315T4014-90SP		FAN DUCT COWL AND THRUST- REVERSER ASSY-(747) (RH SIDE RH ENGS) (REWORK) (PRE SB 747-78-2155)	CF	RF
-15X	315T4014-98SP		FAN DUCT COWL AND THRUST- REVERSER ASSY-MANUAL OPENING ACTUATOR (767) (RH SIDE RH ENG)	BG	RF
-15Y	315T4014-102SP		FAN DUCT COWL AND THRUST- REVERSER ASSY-(747) (RH SIDE RH ENGS) (REWORK) (REWORK DWG 315U4009-24) (PRE SB 747-78-2155)	CV	RF
-15Z	315T4014-106SP		FAN DUCT COWL AND THRUST- REVERSER ASSY-(747) (RH SIDE RH ENGS) (REWORK) (REWORK DWG 315U4009-24) (PRE SB 747-78-2155)	CW	RF

78-31-41

ILLUSTRATED PARTS LIST
01.1 Page 1016K
Nov 01/03

FIG. & ITEM	PART NO.	AIRLINE PART NUMBER	NOMENCLATURE 1234567	EFF CODE	QTY PER ASSY
01-16	315T4014-110SP		FAN DUCT COWL AND THRUST-REVERSER ASSY-(747) (RH SIDE RH ENGS) (REWORK) (REWORK DWG 315U4009-24) (PRE SB 747-78-2155)	CX	RF
-16A	315T4014-114SP		FAN DUCT COWL AND THRUST-REVERSER ASSY-(747) (RH SIDE RH ENGS) (REWORK) (REWORK DWG 315U4009-24) (PRE SB 747-78-2155)	CY	RF
-16B	315T4014-118SP		FAN DUCT COWL AND THRUST-REVERSER ASSY-MANUAL OPENING ACTUATOR (747) (RH SIDE RH ENGS) (REWORKED BY SB 747-78A2126) (PRE SB 747-78-2155)	DD	RF
-16C	315T4014-122SP		FAN DUCT COWL AND THRUST-REVERSER ASSY-POWER OPENING ACTUATOR (747) (RH SIDE RH ENGS) (REWORK) (REWORKED BY SB 747-78A2126) (PRE SB 747-78-2155)	DH	RF
-16D	315T4014-126SP		FAN DUCT COWL AND THRUST-REVERSER ASSY-MANUAL OPENING ACTUATOR (767) (RH SIDE RH ENG)	L	RF
-16E	315T4014-130SP		FAN DUCT COWL AND THRUST-REVERSER ASSY-POWER OPENING ACTUATOR (767) (RH SIDE RH ENG) (VARIABLE)	BA	RF
-16F	315T4014-134SP		FAN DUCT COWL AND THRUST-REVERSER ASSY-MANUAL OPENING ACTUATOR (767) (RH SIDE RH ENG) (REWORK) (POST SB 767-78-0062) (POST SB 747-78-2155)	DK	RF

78-31-41

 ILLUSTRATED PARTS LIST
 01.1 Page 1016L
 Nov 01/03



BOEING
COMPONENT
MAINTENANCE MANUAL

FIG. & ITEM	PART NO.	AIRLINE PART NUMBER	NOMENCLATURE 1234567	EFF CODE	QTY PER ASSY
01- -16G	315T4014-138SP		FAN DUCT COWL AND THRUST- REVERSER ASSY-POWER OPENING ACTUATOR (767) (RH SIDE RH ENG) (REWORK) (POST SB 767-78-0062) (POST SB 747-78-2155)	DP	RF
-16H	315T4014-142SP		FAN DUCT COWL AND THRUST- REVERSER ASSY-MANUAL OPENING ACTUATOR (747) (RH SIDE RH ENG) (PRE SB 747-78-2155)	DT	RF
-16J	315T4014-146SP		FAN DUCT COWL AND THRUST- REVERSER ASSY-POWER OPENING ACTUATOR (747) (RH SIDE RH ENGS) (VARIABLE) (PRE SB 747-78-2155)	DX	RF
-16K	315T4014-150SP		FAN DUCT COWL AND THRUST- REVERSER ASSY-MANUAL OPENING ACTUATOR (747) (RH SIDE RH ENGS) (REWORK) (PRE SB 747-78-2155)	EB	RF
-16L	315T4014-154SP		FAN DUCT COWL AND THRUST- REVERSER ASSY-POWER OPENING ACTUATOR (747) (RH SIDE RH ENGS) (REWORK) (PRE SB 747-78-2155)	EF	RF
-16M	315T4701-16SP		FAN DUCT COWL AND THRUST- REVERSER ASSY-(RH SIDE RH ENG) (POST SB 767-78-0062) (POST SB 747-78-2155)	EK	RF
-16N	315T4701-20SP		FAN DUCT COWL AND THRUST- REVERSER ASSY-(RH SIDE RH ENG) (POST SB 767-78-0062) (POST SB 747-78-2155)	EP	RF
-16P	315T4701-12SP		FAN DUCT COWL AND THRUST- REVERSER ASSY-(RH SIDE RH ENG) (POST SB 767-78-0062) (POST SB 747-78-2155)	ET	RF

78-31-41

ILLUSTRATED PARTS LIST
01.1 Page 1016M
Nov 01/03

FIG. & ITEM	PART NO.	AIRLINE PART NUMBER	NOMENCLATURE 1234567	EFF CODE	QTY PER ASSY
01- -16Q	315T4701-8SP		FAN DUCT COWL AND THRUST- REVERSER ASSY-(RH SIDE RH ENG) (POST SB 767-78-0062) (POST SB 747-78-2155)	FA	RF
-16R	315T4701-24SP		FAN DUCT COWL AND THRUST- REVERSER ASSY-(RH SIDE RH ENG) (POST SB 767-78-0062) (POST SB 747-78-2155)	FB	RF
-16S	315T4014-158SP		FAN DUCT COWL AND THRUST- REVERSER ASSY-MANUAL OPENING ACTUATOR (747) (RH SIDE RH ENGS) (POST SB 747-78-2155)	FF	RF
-16T	315T4014-162SP		FAN DUCT COWL AND THRUST- REVERSER ASSY-POWER OPENING ACTUATOR (747) (RH SIDE RH ENGS) (VARIABLE) (POST SB 747-78-2155)	FK	RF
-16U	315T4014-170SP		FAN DUCT COWL AND THRUST- REVERSER ASSY-MANUAL OPENING ACTUATOR (767) (RH SIDE RH ENG)	GA	RF
-16V	315T4014-174SP		FAN DUCT COWL AND THRUST- REVERSER ASSY-POWER OPENING ACTUATOR (767) (RH SIDE RH ENG) (VARIABLE)	GB	RF
-16W	315T4014-178SP		FAN DUCT COWL AND THRUST- REVERSER ASSY-MANUAL OPENING ACTUATOR (747) (RH SIDE RH ENGS)	GC	RF
-16X	315T4014-182SP		FAN DUCT COWL AND THRUST- REVERSER ASSY-POWER OPENING ACTUATOR (747) (RH SIDE RH ENGS) (VARIABLE)	GD	RF
-16Y	315T4014-186SP		FAN DUCT COWL AND THRUST- REVERSER ASSY-MANUAL OPENING ACTUATOR (747) (RH SIDE RH ENGS)	GL	RF

78-31-41

 ILLUSTRATED PARTS LIST
 01.1 Page 1016N
 Nov 01/03

BOEING
COMPONENT
MAINTENANCE MANUAL

FIG. & ITEM	PART NO.	AIRLINE PART NUMBER	NOMENCLATURE 1234567	EFF CODE	QTY PER ASSY
01- -16Z	315T4014-190SP		FAN DUCT COWL AND THRUST- REVERSER ASSY-POWER OPENING ACTUATOR (747) (RH SIDE RH ENGS) (VARIABLE)	GM	RF
-20	315T4579-1		.FAIRING INSTL-LWR TRACK	A-E,G ,K, M-X,A R-AZ, BQ,BS BU-BW ,CA-C C,C G-CK, CQ-CU DA,DC ,DE,D G,DJ, DL,DN ,DQ DS,DU ,DW,D Y,EA, EC,EE ,EG EJ,EL ,EN,E Q,ES, EU,EV ,EY EZ,FC ,FE,F G,FJ, FM-FQ FW-FZ ,GE, GF,GJ ,GK	1

78-31-41

ILLUSTRATED PARTS LIST
01.1 Page 10160
Nov 01/03

FIG. & ITEM	PART NO.	AIRLINE PART NUMBER	NOMENCLATURE 1234567	EFF CODE	QTY PER ASSY
01- -20A	315T4579-9		.FAIRING INSTL-LWR TRACK (NHA 315T4295, REF COLLECTOR CMM 78-31-47) (NHA 315U4295, REF COLLECTOR CMM 78-31-48)	HA,HC	1
-20B	315T4579-17		.FAIRING INSTL-LWR TRACK (NHA 315T4295, REF COLLECTOR CMM 78-31-47) (NHA 315U4295, REF COLLECTOR CMM 78-31-48)	HA,HC	1
-20C	315T4579-39		.FAIRING INSTL-LWR TRACK (NHA 315T4295, REF COLLECTOR CMM 78-31-47)	HA	1
-20D	315T4579-41		.FAIRING INSTL-LWR TRACK (NHA 315T4295, REF COLLECTOR CMM 78-31-47)	HA	1
-20E	315T4579-23		.FAIRING INSTL-LWR TRACK (NHA 315U4295, REF COLLECTOR CMM 78-31-48)	HC	1
-20F	315T4579-25		.FAIRING INSTL-LWR TRACK (NHA 315U4295, REF COLLECTOR CMM 78-31-48)	HC	1
-20G	315T4579-27		.FAIRING INSTL-LWR TRACK (NHA 315U4295, REF COLLECTOR CMM 78-31-48)	HC	1
-20H	315T4579-29		.FAIRING INSTL-LWR TRACK (NHA 315U4295, REF COLLECTOR CMM 78-31-48)	HC	1

78-31-41

 ILLUSTRATED PARTS LIST
 01.1 Page 1016P
 Nov 01/03

BOEING
COMPONENT
MAINTENANCE MANUAL

FIG. & ITEM	PART NO.	AIRLINE PART NUMBER	NOMENCLATURE	EFF CODE	QTY PER ASSY
01-23	315T4579-2		1234567 .FAIRING INSTL-LWR TRACK	F,H,J ,L, Y-AL, BA-BP ,BR,B T BX-BZ ,CD-C G,C L-CP, CV-CZ DB,DD ,DF,D H,DK, DM,DP ,DR DT,DV ,DX,D Z,EB, ED,EF ,EH EK,EM ,EP,E R,ET, EW,EX ,FA FB,FD ,FF,F H,FK, FS-FV GA-GD ,GG,G H,GL, GM	1

78-31-41

ILLUSTRATED PARTS LIST
01.1 Page 1016Q
Nov 01/03

FIG. & ITEM	PART NO.	AIRLINE PART NUMBER	NOMENCLATURE 1234567	EFF CODE	QTY PER ASSY
01- -23A	315T4579-10		.FAIRING INSTL-LWR TRACK (NHA 315T4295, REF COLLECTOR CMM 78-31-47) (NHA 315U4295, REF COLLECTOR CMM 78-31-48)	HB,HD	1
-23B	315T4579-18		.FAIRING INSTL-LWR TRACK (NHA 315T4295, REF COLLECTOR CMM 78-31-47) (NHA 315U4295, REF COLLECTOR CMM 78-31-48)	HB,HD	1
-23C	315T4579-40		.FAIRING INSTL-LWR TRACK (NHA 315T4295, REF COLLECTOR CMM 78-31-47)	HB	1
-23D	315T4579-42		.FAIRING INSTL-LWR TRACK (NHA 315T4295, REF COLLECTOR CMM 78-31-47)	HB	1
-23E	315T4579-24		.FAIRING INSTL-LWR TRACK (NHA 315U4295, REF COLLECTOR CMM 78-31-48)	HD	1
-23F	315T4579-26		.FAIRING INSTL-LWR TRACK (NHA 315U4295, REF COLLECTOR CMM 78-31-48)	HD	1
-23G	315T4579-28		.FAIRING INSTL-LWR TRACK (NHA 315U4295, REF COLLECTOR CMM 78-31-48)	HD	1
-23H	315T4579-30		.FAIRING INSTL-LWR TRACK (NHA 315U4295, REF COLLECTOR CMM 78-31-48)	HD	1
26	BACB30NN4K7		..BOLT	A-FK, FM-FQ ,FS-G M,H A-HD	6
29	BACB30NN4K2		..BOLT	A-FK, FM-FQ ,FS-G M,H A-HD	2

78-31-41

 ILLUSTRATED PARTS LIST
 01.1 Page 1016R
 Nov 01/03

BOEING
COMPONENT
MAINTENANCE MANUAL

FIG. & ITEM	PART NO.	AIRLINE PART NUMBER	NOMENCLATURE 1234567	EFF CODE	QTY PER ASSY
01- 32 32A	BACS4OR14B41F BACS4OR014B041F		DELETED ..SHIM	A-FK, FM-FQ ,FS-G M,H A-HD	AR
35	BACB30NN4K5		..BOLT	A-FK, FM-FQ ,FS-G M,H A-HD	4
38	BACB30NN4K4		..BOLT	A-FK, FM-FQ ,FS-G M,H A-HD	3
39	BACR15BA3AD		..RIVET- (SIZE DETERMINE ON INST)	A-FK, FM-FQ ,FS-G M,H A-HD	6
40	BRF200C4M		..NUTPLATE- (V52828) (SPEC BACN10JR4CFM) (OPT F5001-4BAC (V15653)) (OPT NS103203SE048 (V80539)) (OPT VN152D1-048 (V92215)) (OPT 109F9201-4 (V72962)) (OPT T8092C428 (V11815))	A-FK, FM-FQ ,FS-G M,H A-HD	3
41 41A	BACS4OR11C52F BACS4OR011C052F		DELETED ..SHIM	A-FK, FM-FQ ,FS-G M,H A-HD	AR
44	BACB30LL3-3		..BOLT	A-FK, FM-FQ ,FS-G M,H A-HD	3

78-31-41

ILLUSTRATED PARTS LIST
01.1 Page 1016S
Nov 01/03

FIG. & ITEM	PART NO.	AIRLINE PART NUMBER	NOMENCLATURE	EFF CODE	QTY PER ASSY
			1234567		
01-47 47A	BACS40R09C35F BACS40R009C035F		DELETED ..SHIM	A-FK, FM-FQ ,FS-G M,H A-HD	AR
50	NAS6703-6		..BOLT	A-FK, FM-FQ ,FS-G M,H A-HD	3
51	315T4579-7		..SHIM- (LIMITED)	A-FK, FM-FQ ,FS-G M	1
-51A	315T4579-7		..SHIM	HA-HD	1

78-31-41

 ILLUSTRATED PARTS LIST
 01.1 Page 1016T
 Nov 01/03

 **BOEING**
COMPONENT
MAINTENANCE MANUAL

FIG. & ITEM	PART NO.	AIRLINE PART NUMBER	NOMENCLATURE	EFF CODE	QTY PER ASSY
01-53	315T4705-1		1234567 ..BRACKET ASSY-ATTACH	A-E,G ,K, M-X,A R-AZ, BQ,BS BU-BW ,CA-C C,C G-CK, CQ-CU DA,DC ,DE,D G,DJ, DL,DN ,DQ DS,DU ,DW,D Y,EA, EC,EE ,EG EJ,EL ,EN,E Q,ES, EU,EV ,EY EZ,FC ,FE,F G,FJ, FM-FQ FW-FZ ,GE, GF,GJ ,GK	1

78-31-41

ILLUSTRATED PARTS LIST
01.1 Page 1016U
Nov 01/03

FIG. & ITEM	PART NO.	AIRLINE PART NUMBER	NOMENCLATURE 1234567	EFF CODE	QTY PER ASSY
01- -53A	315T4705-1		..BRACKET ASSY-ATTACH (USED ON ITEM 20A)	HA,HC	1
-53B	315T4705-1		..BRACKET ASSY-ATTACH (NHA 315T4295, REF COLLECTOR CMM 78-31-47) (NHA 315U4295, REF COLLECTOR CMM 78-31-48)	HA,HC	1
-53C	315T4705-73		..BRACKET ASSY-ATTACH (NHA 315T4295, REF COLLECTOR CMM 78-31-47)	HA	1
-53D	315T4705-75		..BRACKET ASSY-ATTACH (NHA 315T4295, REF COLLECTOR CMM 78-31-47)	HA	1
-53E	315T4705-57		..BRACKET ASSY-ATTACH (NHA 315U4295, REF COLLECTOR CMM 78-31-48)	HC	1
-53F	315T4705-59		..BRACKET ASSY-ATTACH (NHA 315U4295, REF COLLECTOR CMM 78-31-48)	HC	1
-53G	315T4705-61		..BRACKET ASSY-ATTACH (NHA 315U4295, REF COLLECTOR CMM 78-31-48)	HC	1
-53H	315T4705-63		..BRACKET ASSY-ATTACH (NHA 315U4295, REF COLLECTOR CMM 78-31-48)	HC	1

78-31-41

 ILLUSTRATED PARTS LIST
 01.1 Page 1016V
 Nov 01/03

BOEING
COMPONENT
MAINTENANCE MANUAL

FIG. & ITEM	PART NO.	AIRLINE PART NUMBER	NOMENCLATURE	EFF CODE	QTY PER ASSY
01-56	315T4705-2		1234567 ..BRACKET ASSY-ATTACH	F,H,J ,L, Y-AL, BA-BP ,BR,B T BX-BZ ,CD-C G,C L-CP, CV-CZ DB,DD ,DF,D H,DK, DM,DP ,DR DT,DV ,DX,D Z,EB, ED,EF ,EH EK,EM ,EP,E R,ET, EW,EX ,FA FB,FD ,FF,F H,FK, FS-FV GA-GD ,GG,G H,GL, GM	1

78-31-41

ILLUSTRATED PARTS LIST
01.1 Page 1016W
Nov 01/03

FIG. & ITEM	PART NO.	AIRLINE PART NUMBER	NOMENCLATURE 1234567	EFF CODE	QTY PER ASSY
01- -56A	315T4705-2		..BRACKET ASSY-ATTACH (USED ON ITEM 23A)	HB,HD	1
-56B	315T4705-2		..BRACKET ASSY-ATTACH (NHA 315T4295, REF COLLECTOR CMM 78-31-47) (NHA 315U4295, REF COLLECTOR CMM 78-31-48)	HB,HD	1
-56C	315T4705-74		..BRACKET ASSY-ATTACH (NHA 315T4295, REF COLLECTOR CMM 78-31-47)	HB	1
-56D	315T4705-76		..BRACKET ASSY-ATTACH (NHA 315T4295, REF COLLECTOR CMM 78-31-47)	HB	1
-56E	315T4705-58		..BRACKET ASSY-ATTACH (NHA 315U4295, REF COLLECTOR CMM 78-31-48)	HD	1
-56F	315T4705-60		..BRACKET ASSY-ATTACH (NHA 315U4295, REF COLLECTOR CMM 78-31-48)	HD	1
-56G	315T4705-62		..BRACKET ASSY-ATTACH (NHA 315U4295, REF COLLECTOR CMM 78-31-48)	HD	1
-56H	315T4705-64		..BRACKET ASSY-ATTACH (NHA 315U4295, REF COLLECTOR CMM 78-31-48)	HD	1
57	BACR15BA5AD		...RIVET- (SIZE DETERMINE ON INST)	A-FK, FM-FQ ,FS-G M,H A-HD	14

78-31-41

 ILLUSTRATED PARTS LIST
 01.1 Page 1016X
 Nov 01/03

 **BOEING**
COMPONENT
MAINTENANCE MANUAL

FIG. & ITEM	PART NO.	AIRLINE PART NUMBER	NOMENCLATURE 1234567	EFF CODE	QTY PER ASSY
01-57H	BRF200C4M		...NUTPLATE- (V52828) (SPEC BACN10JR4CFM) (OPT F5001-4BAC (V15653)) (OPT NS103203SE048 (V80539)) (OPT VN152D1-048 (V92215)) (OPT 109F9201-4 (V72962)) (OPT T8092C428 (V11815))	A-FK, FM-FQ ,FS-G M,H A-HD	2
57P	BRF100C4M		...NUTPLATE- (V52828) (SPEC BACN10KB4CFM) (OPT NS103185SE048 (V80539)) (OPT T8113C428C (V11815)) (OPT VN151D1-048 (V92215)) (OPT 109F9207-4 (V72962)) (OPT F2001-4 (V15653))	A-FK, FM-FQ ,FS-G M,H A-HD	1
58	BRF100C4M		...NUTPLATE- (V52828) (SPEC BACN10KB4CFM) (OPT NS103185SE048 (V80539)) (OPT T8113C428C (V11815)) (OPT VN151D1-048 (V92215)) (OPT 109F9207-4 (V72962)) (OPT F2001-4 (V15653)) (OPT ITEM 58A)	A-FK, FM-FQ ,FS-G M,H A-HD	1

78-31-41

ILLUSTRATED PARTS LIST
01.1 Page 1016Y
Nov 01/03

FIG. & ITEM	PART NO.	AIRLINE PART NUMBER	NOMENCLATURE 1234567	EFF CODE	QTY PER ASSY
01- -58A	BRF200C4M		...NUTPLATE- (V52828) (SPEC BACN10JR4CFM) (OPT F5001-4BAC (V15653)) (OPT NS103203SE048 (V80539)) (OPT VN152D1-048 (V92215)) (OPT 109F9201-4 (V72962)) (OPT T8092C428 (V11815)) (OPT ITEM 58)	A-FK, FM-FQ ,FS-G M,H A-HD	1
58H	BRF200C3M		...NUTPLATE- (V52828) (SPEC BACN10JR3CFM) (OPT F5001-3BAC (V15653)) (OPT NS103203SE02 (V80539)) (OPT VN152D1-02 (V92215)) (OPT 109F9201-3 (V72962)) (OPT T8092C1032 (V11815))	A-FK, FM-FQ ,FS-G M,H A-HD	3
58P	BACR15CE5D		...RIVET- (SIZE DETERMINE ON INST)	A-FK, FM-FQ ,FS-G M,H A-HD	5
59 59A	BACR15BA5AD BACR15CE6D		DELETED ...RIVET- (SIZE DETERMINE ON INST)	A-FK, FM-FQ ,FS-G M,H A-HD	2
59H	BACF3T05E9C9		...FILLER	A-FK, FM-FQ ,FS-G M,H A-HD	1

78-31-41

 ILLUSTRATED PARTS LIST
 01.1 Page 1016Z
 Nov 01/03

FIG. & ITEM	PART NO.	AIRLINE PART NUMBER	NOMENCLATURE 1234567	EFF CODE	QTY PER ASSY
01-60	315T4705-27		...BRACKET	A-E,G ,K, M-X,A R-AZ, BQ,BS BU-BW ,CA-C C,C G-CK, CQ-CU DA,DC ,DE,D G,DJ, DL,DN ,DQ DS,DU ,DW,D Y,EA, EC,EE ,EG EJ,EL ,EN,E Q,ES, EU,EV ,EY EZ,FC ,FE,F G,FJ, FM-FQ FW-FZ ,GE, GF,GJ ,GK, HA,HC	1

78-31-41

ILLUSTRATED PARTS LIST

01.1

Page 1017

Nov 01/03

FIG. & ITEM	PART NO.	AIRLINE PART NUMBER	NOMENCLATURE	EFF CODE	QTY PER ASSY
01-60H	315T4705-28		1234567 ...BRACKET	F,H,J L, Y-AL, BA-BP BR,B T BX-BZ CD-C G,C L-CP, CV-CZ DB,DD DF,D H,DK, DM,DP DR DT,DV DX,D Z,EB, ED,EF EH EK,EM EP,E R,ET, EW,EX FA FB,FD FF,F H,FK, FS-FV GA-GD GG,G H,GL, GM,HB HD	1

78-31-41

 ILLUSTRATED PARTS LIST
 01.1 Page 1018
 Nov 01/03

BOEING
COMPONENT
MAINTENANCE MANUAL

FIG. & ITEM	PART NO.	AIRLINE PART NUMBER	NOMENCLATURE	EFF CODE	QTY PER ASSY
01-61	315T4705-13		1234567 ...PAD	A-FK, FM-FQ ,FS-G M,H A-HD	1
62 62H	BRF200C4M 315T4705-9		DELETED ...ANGLE	A-E,G ,K, M-X,A R-AZ, BQ,BS BU-BW ,CA-C C,C G-CK, CQ-CU DA,DC ,DE,D G,DJ, DL,DN ,DQ DS,DU ,DW,D Y,EA, EC,EE ,EG EJ,EL ,EN,E Q,ES, EU,EV ,EY EZ,FC ,FE,F G,FJ, FM-FQ FW-FZ ,GE, GF,GJ ,GK, HA,HC	1

78-31-41

ILLUSTRATED PARTS LIST
01.1 Page 1018A
Nov 01/03

FIG. & ITEM	PART NO.	AIRLINE PART NUMBER	NOMENCLATURE	EFF CODE	QTY PER ASSY
01-62P	315T4705-10		1234567 ... ANGLE	F, H, J L, Y-AL, BA-BP BR, B T BX-BZ CD-C G, C L-CP, CV-CZ DB, DD DF, D H, DK, DM, DP DR DT, DV DX, D Z, EB, ED, EF EH EK, EM EP, E R, ET, EW, EX FA FB, FD FF, F H, FK, FS-FV GA-GD GG, G H, GL, GM, HB HD	1

78-31-41

 ILLUSTRATED PARTS LIST
 01.1 Page 1018B
 Nov 01/03

BOEING
COMPONENT
MAINTENANCE MANUAL

FIG. & ITEM	PART NO.	AIRLINE PART NUMBER	NOMENCLATURE	EFF CODE	QTY PER ASSY
01- 63 64	BRF100C4M 315T4705-7		1234567 DELETED ...BRACKET	A-E,G ,K, M-X,A R-AZ, BQ,BS BU-BW ,CA-C C,C G-CK, CQ-CU DA,DC ,DE,D G,DJ, DL,DN ,DQ DS,DU ,DW,D Y,EA, EC,EE ,EG EJ,EL ,EN,E Q,ES, EU,EV ,EY EZ,FC ,FE,F G,FJ, FM-FQ FW-FZ ,GE, GF,GJ ,GK, HA,HC	1

78-31-41

ILLUSTRATED PARTS LIST
01.1 Page 1018C
Nov 01/03

FIG. & ITEM	PART NO.	AIRLINE PART NUMBER	NOMENCLATURE	EFF CODE	QTY PER ASSY
01-64H	315T4705-8		1234567 ...BRACKET	F,H,J ,L, Y-AL, BA-BP ,BR,B T BX-BZ ,CD-C G,C L-CP, CV-CZ DB,DD ,DF,D H,DK, DM,DP ,DR DT,DV ,DX,D Z,EB, ED,EF ,EH EK,EM ,EP,E R,ET, EW,EX ,FA FB,FD ,FF,F H,FK, FS-FV GA-GD ,GG,G H,GL, GM,HB ,HD	1

78-31-41

 ILLUSTRATED PARTS LIST
 01.1 Page 1018D
 Nov 01/03

 **BOEING**
COMPONENT
MAINTENANCE MANUAL

FIG. & ITEM	PART NO.	AIRLINE PART NUMBER	NOMENCLATURE 1234567	EFF CODE	QTY PER ASSY
01-65	BRF200C3M		DELETED		
66	BACR15BA5B		DELETED		
66A	BACR15BA5A		..RIVET- (LIMITED) (SIZE DETERMINE ON INST) (USED WITH ITEM 67)	A-FK, FM-FQ ,FS-G M	4
-66B	BACR15BA5AD		..RIVET- (LIMITED) (SIZE DETERMINE ON INST) (USED WITH ITEM 67A)	A-FK, FM-FQ ,FS-G M	4
-66C	BACR15BA5AD		..RIVET- (SIZE DETERMINE ON INST)	HA-HD	4
67	315T3529-19		..STRIP-RUB (LIMITED) (USED WITH ITEM 66A)	A-FK, FM-FQ ,FS-G M	1
-67A	315T4579-6		..STRIP-RUB (LIMITED) (ITEM 105 AND ITEM 67A OPT TO ITEM 105A) (ITEM 106 AND ITEM 67A OPT TO ITEM 106A) (USED WITH ITEM 66B)	A-FK, FM-FQ ,FS-G M	1
-67B	315T4579-6		..STRIP-RUB (ITEM 105B AND ITEM 67B OPT TO ITEM 105C) (ITEM 106B AND ITEM 67B OPT TO ITEM 106C) (USED ON ITEMS 20A, 23A)	HA-HD	1
-67M	315T4579-13		..KIT ASSY-SUB (OPT ITEM 105D) (USED ON ITEMS 20B, 20C, 20D, 20E, 20F, 20G, 20H)	HA,HC	1

78-31-41

ILLUSTRATED PARTS LIST
01.1 Page 1018E
Nov 01/03

FIG. & ITEM	PART NO.	AIRLINE PART NUMBER	NOMENCLATURE 1234567	EFF CODE	QTY PER ASSY
01- -67P	315T4579-14		..KIT ASSY-SUB (OPT ITEM 106D) (USED ON ITEMS 23B, 23C, 23D, 23E, 23F, 23G, 23H)	HB,HD	1
67R	BACR15BA5AD		...RIVET- (SIZE DETERMINE ON INST)	HA-HD	4
67T	315T4579-6		...STRIP-RUB	HA-HD	1
67V	315T4531-1		...FAIRING	HA,HC	1
-67X	315T4531-2		...FAIRING	HB,HD	1
68	315T4529-1		..FAIRING ASSY- (REPLD BY ITEM 87) (315T4531-3 TOGETHER WITH 315T3705-59 CLIP I/W 315T4529-1)	A-E,G ,K, M-X,A R-AZ, BQ,BS BU-BW ,CA-C C,C G-CK, CQ-CU DA,DC ,DE,D G,DJ, DL,DN ,DQ DS,DU ,DW,D Y,EA, EC,EE ,EG EJ,EL ,EN,E Q,ES, EU,EV ,EY EZ,FC ,FE,F G,FJ, FM-FQ FW-FZ ,GE, GF,GJ ,GK	1

78-31-41

 ILLUSTRATED PARTS LIST
 01.1 Page 1018F
 Nov 01/03

BOEING
COMPONENT
MAINTENANCE MANUAL

FIG. & ITEM	PART NO.	AIRLINE PART NUMBER	NOMENCLATURE	EFF CODE	QTY PER ASSY
01-71	315T4529-2		1234567 ..FAIRING ASSY- (REPLD BY ITEM 88) (315T4531-4 TOGETHER WITH 315T3705-60 CLIP I/W 315T4529-2)	F,H,J ,L, Y-AL, BA-BP ,BR,B T BX-BZ ,CD-C G,C L-CP, CV-CZ DB,DD ,DF,D H,DK, DM,DP ,DR DT,DV ,DX,D Z,EB, ED,EF ,EH EK,EM ,EP,E R,ET, EW,EX ,FA FB,FD ,FF,F H,FK, FS-FV GA-GD ,GG,G H,GL, GM	1
74	BACB30LL3-3		...BOLT	A-FK, FM-FQ ,FS-G M	4
75	BACR15BA3AD		...RIVET- (SIZE DETERMINE ON INST)	A-FK, FM-FQ ,FS-G M	8

78-31-41

ILLUSTRATED PARTS LIST
01.1 Page 1018G
Nov 01/03

FIG. & ITEM	PART NO.	AIRLINE PART NUMBER	NOMENCLATURE 1234567	EFF CODE	QTY PER ASSY
01-76	BRF200C3M		...NUTPLATE- (V52828) (SPEC BACN10JR3CFM) (OPT F5001-3BAC (V15653)) (OPT NS103203SE02 (V80539)) (OPT T8092C1032 (V11815)) (OPT VN152D1-02 (V92215)) (OPT 109F9201-3 (V72962))	A-FK, FM-FQ, FS-G M	4

78-31-41

ILLUSTRATED PARTS LIST
 01.1 Page 1018H
 Nov 01/03

 **BOEING**
COMPONENT
MAINTENANCE MANUAL

FIG. & ITEM	PART NO.	AIRLINE PART NUMBER	NOMENCLATURE	EFF CODE	QTY PER ASSY
01-77	315T3705-59		1234567 ...CLIP	A-E,G ,K, M-X,A R-AZ, BQ,BS BU-BW ,CA-C C,C G-CK, CQ-CU DA,DC ,DE,D G,DJ, DL,DN ,DQ DS,DU ,DW,D Y,EA, EC,EE ,EG EJ,EL ,EN,E Q,ES, EU,EV ,EY EZ,FC ,FE,F G,FJ, FM-FQ FW-FZ ,GE, GF,GJ ,GK	1

78-31-41

ILLUSTRATED PARTS LIST

01.1 Page 1018I

Nov 01/03

FIG. & ITEM	PART NO.	AIRLINE PART NUMBER	NOMENCLATURE	EFF CODE	QTY PER ASSY
01-80	315T3705-60		1234567 ...CLIP	F,H,J L, Y-AL, BA-BP BR,B T BX-BZ CD-C G,C L-CP, CV-CZ DB,DD DF,D H,DK, DM,DP DR DT,DV DX,D Z,EB, ED,EF EH EK,EM EP,E R,ET, EW,EX FA FB,FD FF,F H,FK, FS-FV GA-GD GG,G H,GL, GM	1

78-31-41

 ILLUSTRATED PARTS LIST
 01.1 Page 1018J
 Nov 01/03

 **BOEING**
COMPONENT
MAINTENANCE MANUAL

FIG. & ITEM	PART NO.	AIRLINE PART NUMBER	NOMENCLATURE	EFF CODE	QTY PER ASSY
01-83	315T4529-3		1234567 ...BOND ASSY	A-E,G ,K, M-X,A R-AZ, BQ,BS BU-BW ,CA-C C,C G-CK, CQ-CU DA,DC ,DE,D G,DJ, DL,DN ,DQ DS,DU ,DW,D Y,EA, EC,EE ,EG EJ,EL ,EN,E Q,ES, EU,EV ,EY EZ,FC ,FE,F G,FJ, FM-FQ FW-FZ ,GE, GF,GJ ,GK	1

78-31-41

ILLUSTRATED PARTS LIST
01.1 Page 1018K
Nov 01/03

FIG. & ITEM	PART NO.	AIRLINE PART NUMBER	NOMENCLATURE	EFF CODE	QTY PER ASSY
01-86	315T4529-4		1234567 ...BOND ASSY	F,H,J ,L, Y-AL, BA-BP ,BR,B T BX-BZ ,CD-C G,C L-CP, CV-CZ DB,DD ,DF,D H,DK, DM,DP ,DR DT,DV ,DX,D Z,EB, ED,EF ,EH EK,EM ,EP,E R,ET, EW,EX ,FA FB,FD ,FF,F H,FK, FS-FV GA-GD ,GG,G H,GL, GM	1

78-31-41

 ILLUSTRATED PARTS LIST
 01.1 Page 1018L
 Nov 01/03

 **BOEING**
COMPONENT
MAINTENANCE MANUAL

FIG. & ITEM	PART NO.	AIRLINE PART NUMBER	NOMENCLATURE	EFF CODE	QTY PER ASSY
01-87	315T4531-3		1234567 ..FAIRING- (REPLS ITEM 68) (315T4531-3 TOGETHER WITH 315T3705-59 CLIP I/W 315T4529-1)	A-E,G ,K, M-X,A R-AZ, BQ,BS BU-BW ,CA-C C,C G-CK, CQ-CU DA,DC ,DE,D G,DJ, DL,DN ,DQ DS,DU ,DW,D Y,EA, EC,EE ,EG EJ,EL ,EN,E Q,ES, EU,EV ,EY EZ,FC ,FE,F G,FJ, FM-FQ FW-FZ ,GE, GF,GJ ,GK	1

78-31-41

ILLUSTRATED PARTS LIST
01.1 Page 1018M
Nov 01/03

FIG. & ITEM	PART NO.	AIRLINE PART NUMBER	NOMENCLATURE	EFF CODE	QTY PER ASSY
01-87A	315T4531-3		1234567 ..FAIRING- (315T4531-3 TOGETHER WITH 315T3705-59 CLIP I/W 315T4529-1)	HA,HC	1
-88	315T4531-4		..FAIRING- (REPLS ITEM 71) (315T4531-4 TOGETHER WITH 315T3705-60 CLIP I/W 315T3429-2)	F,H,J ,L, Y-AL, BA-BP ,BR,B T BX-BZ ,CD-C G,C L-CP, CV-CZ DB,DD ,DF,D H,DK, DM,DP ,DR DT,DV ,DX,D Z,EB, ED,EF ,EH EK,EM ,EP,E R,ET, EW,EX ,FA FB,FD ,FF,F H,FK, FS-FV GA-GD ,GG,G H,GL, GM	1

78-31-41

 ILLUSTRATED PARTS LIST
 01.1 Page 1018N
 Nov 01/03

BOEING
COMPONENT
MAINTENANCE MANUAL

FIG. & ITEM	PART NO.	AIRLINE PART NUMBER	NOMENCLATURE	EFF CODE	QTY PER ASSY
01-88A	315T4531-4		1234567 ..FAIRING- (315T4531-4 TOGETHER WITH 315T3705-60 CLIP I/W 315T3429-2)	HB,HD	1
89	315T3529-15		..FAIRING ASSY- (REPLD BY ITEM 105) (315T4531-1 TOGETHER WITH 315T3529-19 RUB STRIP I/W 315T3529-15)	A-E,G ,K, M-X,A R-AZ, BQ,BS BU-BW ,CA-C C,C G-CK, CQ-CU DA,DC ,DE,D G,DJ, DL,DN ,DQ DS,DU ,DW,D Y,EA, EC,EE ,EG EJ,EL ,EN,E Q,ES, EU,EV ,EY EZ,FC ,FE,F G,FJ, FM-FQ FW-FZ ,GE, GF,GJ ,GK	1

78-31-41

ILLUSTRATED PARTS LIST
01.1 Page 10180
Nov 01/03

FIG. & ITEM	PART NO.	AIRLINE PART NUMBER	NOMENCLATURE	EFF CODE	QTY PER ASSY
01-92	315T3529-24		1234567 ..FAIRING ASSY- (REPLD BY ITEM 106) (315T4531-2 TOGETHER WITH 315T3529-19 RUB STRIP I/W 315T3529-24)	F,H,J ,L, Y-AL, BA-BP ,BR,B T BX-BZ ,CD-C G,C L-CP, CV-CZ DB,DD ,DF,D H,DK, DM,DP ,DR DT,DV ,DX,D Z,EB, ED,EF ,EH EK,EM ,EP,E R,ET, EW,EX ,FA FB,FD ,FF,F H,FK, FS-FV GA-GD ,GG,G H,GL, GM	1

78-31-41

 ILLUSTRATED PARTS LIST
 01.1 Page 1018P
 Nov 01/03



BOEING
COMPONENT
MAINTENANCE MANUAL

FIG. & ITEM	PART NO.	AIRLINE PART NUMBER	NOMENCLATURE 1234567	EFF CODE	QTY PER ASSY
01-95	BACR15BA5B		...RIVET- (SIZE DETERMINE ON INST)	A-FK, FM-FQ, FS-G M	11
98	315T3529-19		...STRIP-RUB	A-FK, FM-FQ, FS-G M	1
101	315T3529-17		...BOND ASSY	A-E,G ,K, M-X,A R-AZ, BQ,BS BU-BW ,CA-C C,C G-CK, CQ-CU DA,DC ,DE,D G,DJ, DL,DN ,DQ DS,DU ,DW,D Y,EA, EC,EE ,EG EJ,EL ,EN,E Q,ES, EU,EV ,EY EZ,FC ,FE,F G,FJ, FM-FQ FW-FZ ,GE, GF,GJ ,GK	1

78-31-41

ILLUSTRATED PARTS LIST
01.1 Page 1018Q
Nov 01/03

FIG. & ITEM	PART NO.	AIRLINE PART NUMBER	NOMENCLATURE	EFF CODE	QTY PER ASSY
01-104	315T3529-25		1234567 ...BOND ASSY	F,H,J ,L, Y-AL, BA-BP ,BR,B T BX-BZ ,CD-C G,C L-CP, CV-CZ DB,DD ,DF,D H,DK, DM,DP ,DR DT,DV ,DX,D Z,EB, ED,EF ,EH EK,EM ,EP,E R,ET, EW,EX ,FA FB,FD ,FF,F H,FK, FS-FV GA-GD ,GG,G H,GL, GM	1

78-31-41

 ILLUSTRATED PARTS LIST
 01.1 Page 1018R
 Nov 01/03

 **BOEING**
COMPONENT
MAINTENANCE MANUAL

FIG. & ITEM	PART NO.	AIRLINE PART NUMBER	NOMENCLATURE	EFF CODE	QTY PER ASSY
01-105	315T4531-1		1234567 ..FAIRING- (REPLS ITEM 89) (REPLD BY ITEM 105A) (315T4531-1 TOGETHER WITH 315T3529-19 RUB STRIP I/W 315T3529-15) (315T4531-9 I/W 315T4531-1 T/W 315T4579-6 RUBSTRIP) (ITEM 105 AND ITEM 67A OPT TO ITEM 105A)	A-E,G ,K, M-X,A R-AZ, BQ,BS BU-BW ,CA-C C,C G-CK, CQ-CU DA,DC ,DE,D G,DJ, DL,DN ,DQ DS,DU ,DW,D Y,EA, EC,EE ,EG EJ,EL ,EN,E Q,ES, EU,EV ,EY EZ,FC ,FE,F G,FJ, FM-FQ FW-FZ ,GE, GF,GJ ,GK	1

78-31-41

ILLUSTRATED PARTS LIST
01.1 Page 1018S
Nov 01/03

FIG. & ITEM	PART NO.	AIRLINE PART NUMBER	NOMENCLATURE	EFF CODE	QTY PER ASSY
01-105A	315T4531-9		1234567 ..FAIRING- (REPLS ITEM 105) (315T4531-9 I/W 315T4531-1 T/W 315T4579-6 RUBSTRIP) (ITEM 105 AND ITEM 67A OPT TO ITEM 105A)	A-E,G ,K, M-X,A R-AZ, BQ,BS BU-BW ,CA-C C,C G-CK, CQ-CU DA,DC ,DE,D G,DJ, DL,DN ,DQ DS,DU ,DW,D Y,EA, EC,EE ,EG EJ,EL ,EN,E Q,ES, EU,EV ,EY EZ,FC ,FE,F G,FJ, FM-FQ FW-FZ ,GE, GF,GJ ,GK	1

78-31-41

ILLUSTRATED PARTS LIST
01.1 Page 1018T
Nov 01/03

 **BOEING**
COMPONENT
MAINTENANCE MANUAL

FIG. & ITEM	PART NO.	AIRLINE PART NUMBER	NOMENCLATURE 1234567	EFF CODE	QTY PER ASSY
01- -105B	315T4531-1		..FAIRING- (315T4531-9 I/W 315T4531-1 T/W 315T4579-6 RUBSTRIP) (ITEM 105B AND ITEM 67B OPT TO ITEM 105B) (USED ON ITEM 20A)	HA,HC	1
-105C	315T4531-9		..FAIRING- (315T4531-9 I/W 315T4531-1 T/W 315T4579-6 RUBSTRIP) (ITEM 105B AND ITEM 67B OPT TO ITEM 105B) (USED ON ITEM 20A)	HA,HC	1
-105D	315T4531-9		..FAIRING- (315T4531-9 I/W 315T4531-1 T/W 315T4579-6 RUBSTRIP) (OPT ITEM 67M) (USED ON ITEMS 20B, 20C, 20D, 20E, 20F, 20G, 20H)	HA,HC	1

78-31-41

ILLUSTRATED PARTS LIST
01.1 Page 1018U
Nov 01/03

FIG. & ITEM	PART NO.	AIRLINE PART NUMBER	NOMENCLATURE	EFF CODE	QTY PER ASSY
01-106	315T4531-2		1234567 ..FAIRING- (REPLS ITEM 92) (REPLD BY ITEM 106A) (315T4531-2 TOGETHER WITH 315T3529-19 RUB STRIP I/W 315T3529-24) (315T4531-10 I/W 315T4531-2 T/W 315T4579-6 RUBSTRIP) (ITEM 106 AND ITEM 67A OPT TO ITEM 106A)	F,H,J ,L, Y-AL, BA-BP ,BR,B T BX-BZ ,CD-C G,C L-CP, CV-CZ DB,DD ,DF,D H,DK, DM,DP ,DR DT,DV ,DX,D Z,EB, ED,EF ,EH EK,EM ,EP,E R,ET, EW,EX ,FA FB,FD ,FF,F H,FK, FS-FV GA-GD ,GG,G H,GL, GM	1

78-31-41

 ILLUSTRATED PARTS LIST
 01.1 Page 1018V
 Nov 01/03

BOEING
COMPONENT
MAINTENANCE MANUAL

FIG. & ITEM	PART NO.	AIRLINE PART NUMBER	NOMENCLATURE	EFF CODE	QTY PER ASSY
01-106A	315T4531-10		1234567 ..FAIRING- (REPLS ITEM 106) (315T4531-10 I/W 315T4531-2 T/W 315T4579-6 RUBSTRIP) (ITEM 106 AND ITEM 67A OPT TO ITEM 106A)	F,H,J ,L, Y-AL, BA-BP ,BR,B T BX-BZ ,CD-C G,C L-CP, CV-CZ DB,DD ,DF,D H,DK, DM,DP ,DR DT,DV ,DX,D Z,EB, ED,EF ,EH EK,EM ,EP,E R,ET, EW,EX ,FA FB,FD ,FF,F H,FK, FS-FV GA-GD ,GG,G H,GL, GM	1

78-31-41

ILLUSTRATED PARTS LIST
01.1 Page 1018W
Nov 01/03

FIG. & ITEM	PART NO.	AIRLINE PART NUMBER	NOMENCLATURE 1234567	EFF CODE	QTY PER ASSY
01- -106B	315T4531-2		..FAIRING- (315T4531-10 I/W 315T4531-2 T/W 315T4579-6 RUBSTRIP) (ITEM 106B AND ITEM 67B OPT TO ITEM 106C) (USED ON ITEM 23A)	HB,HD	1
-106C	315T4531-10		..FAIRING- (315T4531-10 I/W 315T4531-2 T/W 315T4579-6 RUBSTRIP) (ITEM 106B AND ITEM 67B OPT TO ITEM 106C) (USED ON ITEM 23A)	HB,HD	1
-106D	315T4531-10		..FAIRING- (315T4531-10 I/W 315T4531-2 T/W 315T4579-6 RUBSTRIP) (OPT ITEM 67P) (USED ON ITEMS 23B, 23C, 23D, 23E, 23F, 23G, 23H)	HB,HD	1

78-31-41

ILLUSTRATED PARTS LIST
01.1 Page 1018X
Nov 01/03

 **BOEING**
COMPONENT
MAINTENANCE MANUAL

FIG. & ITEM	PART NO.	AIRLINE PART NUMBER	NOMENCLATURE	EFF CODE	QTY PER ASSY
01-107	315T4579-3		1234567 .FAIRING INSTL-UPR TRACK	A-E,G ,K, M-X,A R-AZ, BQ,BS BU-BW ,CA-C C,C G-CK, CQ-CU DA,DC ,DE,D G,DJ, DL,DN ,DQ DS,DU ,DW,D Y,EA, EC,EE ,EG EJ,EL ,EN,E Q,ES, EU,EV ,EY EZ,FC ,FE,F G,FJ, FM-FQ FW-FZ ,GE, GF,GL ,GM	1

78-31-41

ILLUSTRATED PARTS LIST
01.1 Page 1018Y
Nov 01/03

FIG. & ITEM	PART NO.	AIRLINE PART NUMBER	NOMENCLATURE 1234567	EFF CODE	QTY PER ASSY
01- -107A	315T4579-11		.FAIRING INSTL-UPR TRACK (NHA 315T4295, REF COLLECTOR CMM 78-31-47) (NHA 315U4295, REF COLLECTOR CMM 78-31-48)	HA,HC	1
-107B	315T4579-19		.FAIRING INSTL-UPR TRACK (NHA 315T4295, REF COLLECTOR CMM 78-31-47) (NHA 315U4295, REF COLLECTOR CMM 78-31-48)	HA,HC	1
-107C	315T4579-43		.FAIRING INSTL-UPR TRACK (NHA 315T4295, REF COLLECTOR CMM 78-31-47)	HA	1
-107D	315T4579-45		.FAIRING INSTL-UPR TRACK (NHA 315T4295, REF COLLECTOR CMM 78-31-47)	HA	1
-107E	315T4579-31		.FAIRING INSTL-UPR TRACK (NHA 315U4295, REF COLLECTOR CMM 78-31-48)	HC	1
-107F	315T4579-33		.FAIRING INSTL-UPR TRACK (NHA 315U4295, REF COLLECTOR CMM 78-31-48)	HC	1
-107G	315T4579-35		.FAIRING INSTL-UPR TRACK (NHA 315U4295, REF COLLECTOR CMM 78-31-48)	HC	1
-107H	315T4579-37		.FAIRING INSTL-UPR TRACK (NHA 315U4295, REF COLLECTOR CMM 78-31-48)	HC	1

78-31-41

 ILLUSTRATED PARTS LIST
 01.1 Page 1018Z
 Nov 01/03

BOEING
COMPONENT
MAINTENANCE MANUAL

FIG. & ITEM	PART NO.	AIRLINE PART NUMBER	NOMENCLATURE	EFF CODE	QTY PER ASSY
01-110	315T4579-4		1234567 .FAIRING INSTL-UPR TRACK	F,H,J ,L, Y-AL, BA-BP ,BR,B T BX-BZ ,CD-C G,C L-CP, CV-CZ DB,DD ,DF,D H,DK, DM,DP ,DR DT,DV ,DX,D Z,EB, ED,EF ,EH EK,EM ,EP,E R,ET, EW,EX ,FA FB,FD ,FF,F H,FK, FS-FV GA-GD ,GG,G H,GL, GM	1

78-31-41

ILLUSTRATED PARTS LIST

01.1

Page 1019

Nov 01/03

FIG. & ITEM	PART NO.	AIRLINE PART NUMBER	NOMENCLATURE 1234567	EFF CODE	QTY PER ASSY
01- -110A	315T4579-12		.FAIRING INSTL-UPR TRACK (NHA 315T4295, REF COLLECTOR CMM 78-31-47) (NHA 315U4295, REF COLLECTOR CMM 78-31-48)	HB,HD	1
-110B	315T4579-20		.FAIRING INSTL-UPR TRACK (NHA 315T4295, REF COLLECTOR CMM 78-31-47) (NHA 315U4295, REF COLLECTOR CMM 78-31-48)	HB,HD	1
-110C	315T4579-44		.FAIRING INSTL-UPR TRACK (NHA 315T4295, REF COLLECTOR CMM 78-31-47)	HB	1
-110D	315T4579-46		.FAIRING INSTL-UPR TRACK (NHA 315T4295, REF COLLECTOR CMM 78-31-47)	HB	1
-110E	315T4579-32		.FAIRING INSTL-UPR TRACK (NHA 315U4295, REF COLLECTOR CMM 78-31-48)	HD	1
-110F	315T4579-34		.FAIRING INSTL-UPR TRACK (NHA 315U4295, REF COLLECTOR CMM 78-31-48)	HD	1
-110G	315T4579-36		.FAIRING INSTL-UPR TRACK (NHA 315U4295, REF COLLECTOR CMM 78-31-48)	HD	1
-110H	315T4579-38		.FAIRING INSTL-UPR TRACK (NHA 315U4295, REF COLLECTOR CMM 78-31-48)	HD	1
113	NAS6703-7		..BOLT- (USED WITH ITEMS 137A, 137B, 140A, 140B)	A-FK, FM-FQ ,FS-G M	2

78-31-41

 ILLUSTRATED PARTS LIST
 01.1 Page 1020
 Nov 01/03



BOEING
COMPONENT
MAINTENANCE MANUAL

FIG. & ITEM	PART NO.	AIRLINE PART NUMBER	NOMENCLATURE 1234567	EFF CODE	QTY PER ASSY
01- -113A	BACB30NM3K5		..BOLT- (USED WITH ITEMS 137C, 140C)	A-FK, FM-FQ ,FS-G M	2
-113B	BACB30NM3K5		..BOLT	HA-HD	2
113H	BACB30VF3K9		..BOLT- (USED WITH ITEMS 137A, 140A)	A-FK, FM-FQ ,FS-G M	1
113P	BACB30NM3K6		..BOLT- (OPT ITEM 113Q) (USED WITH ITEMS 137B, 137C, 140B, 140C)	A-FK, FM-FQ ,FS-G M	1
-113Q	BACB30NT3K6		..BOLT- (OPT ITEM 113P) (USED WITH ITEMS 137B, 137C, 140B, 140C)	A-FK, FM-FQ ,FS-G M	1
-113R	BACB30NM3K6		..BOLT- (OPT ITEM 113S)	HA-HD	1
-113S	BACB30NT3K6		..BOLT- (OPT ITEM 113R)	HA-HD	1
114	315T4579-5		..SHIM- (LIMITED)	A-FK, FM-FQ ,FS-G M	1
115	315T4579-7		..SHIM- (LIMITED)	A-FK, FM-FQ ,FS-G M	1
-115A	315T4579-7		..SHIM	HA-HD	1
116	BACB30LL3-3		..BOLT	A-FK, FM-FQ ,FS-G M,H A-HD	3
119	BACS40R10C28F		DELETED		
119A	BACS40R010C028F		..SHIM	A-FK, FM-FQ ,FS-G M,H A-HD	AR

78-31-41

FIG. & ITEM	PART NO.	AIRLINE PART NUMBER	NOMENCLATURE 1234567	EFF CODE	QTY PER ASSY
01-122	BACB30NN4K4		..BOLT	A-FK, FM-FQ ,FS-G M,H A-HD	6
125	BACB30LL3-8		..BOLT- (USED WITH ITEMS 155, 158)	A-FK, FM-FQ ,FS-G M	2
-125A	BACB30LL3-5		..BOLT- (USED WITH ITEMS 155A, 155B, 158A, 158B)	A-FK, FM-FQ ,FS-G M	2
-125B	BACB30LL3-5		..BOLT	HA-HD	2
128	BACF3F010T021NN		..FILLER- (LIMITED)	A-FK, FM-FQ ,FS-G M	1
-128A	BACS40R010E021F		..SHIM- (LIMITED)	A-FK, FM-FQ ,FS-G M	1
-128B	BACF3F010T021NN		..FILLER	HA-HD	1
131	BACB30NN4K2		..BOLT	A-FK, FM-FQ ,FS-G M,H A-HD	2
134	BACB30NN4K3		DELETED		
134A	BACB30NN4K4		..BOLT	A-FK, FM-FQ ,FS-G M,H A-HD	6

78-31-41

 **BOEING**
COMPONENT
MAINTENANCE MANUAL

FIG. & ITEM	PART NO.	AIRLINE PART NUMBER	NOMENCLATURE	EFF CODE	QTY PER ASSY
01- 137 137A	315T4705-3 315T4705-29		1234567 DELETED ..BRACKET ASSY-ATTACH (LIMITED)	A-E,G ,K, M-X,A R-AZ, BQ,BS BU-BW ,CA-C C,C G-CK, CQ-CU DA,DC ,DE,D G,DJ, DL,DN ,DQ DS,DU ,DW,D Y,EA, EC,EE ,EG EJ,EL ,EN,E Q,ES, EU,EV ,EY EZ,FC ,FE,F G,FJ, FM-FQ FW-FZ ,GE, GF,GJ ,GK	1

78-31-41

ILLUSTRATED PARTS LIST
01.1 Page 1020C
Nov 01/03

FIG. & ITEM	PART NO.	AIRLINE PART NUMBER	NOMENCLATURE	EFF CODE	QTY PER ASSY
01-137B	315T4705-35		1234567 ..BRACKET ASSY-ATTACH (LIMITED)	A-E,G ,K, M-X,A R-AZ, BQ,BS BU-BW ,CA-C C,C G-CK, CQ-CU DA,DC ,DE,D G,DJ, DL,DN ,DQ DS,DU ,DW,D Y,EA, EC,EE ,EG EJ,EL ,EN,E Q,ES, EU,EV ,EY EZ,FC ,FE,F G,FJ, FM-FQ FW-FZ ,GE, GF,GJ ,GK	1

78-31-41

 ILLUSTRATED PARTS LIST
 01.1 Page 1020D
 Nov 01/03

 **BOEING**
COMPONENT
MAINTENANCE MANUAL

FIG. & ITEM	PART NO.	AIRLINE PART NUMBER	NOMENCLATURE 1234567	EFF CODE	QTY PER ASSY
01- -137C	315T4705-37		..BRACKET ASSY-ATTACH (LIMITED)	A-E,G ,K, M-X,A R-AZ, BQ,BS BU-BW ,CA-C C,C G-CK, CQ-CU DA,DC ,DE,D G,DJ, DL,DN ,DQ DS,DU ,DW,D Y,EA, EC,EE ,EG EJ,EL ,EN,E Q,ES, EU,EV ,EY EZ,FC ,FE,F G,FJ, FM-FQ FW-FZ ,GE, GF,GJ ,GK	1
-137D	315T4705-37		..BRACKET ASSY-ATTACH	HA,HC	1

78-31-41

ILLUSTRATED PARTS LIST
01.1 Page 1020E
Nov 01/03

FIG. & ITEM	PART NO.	AIRLINE PART NUMBER	NOMENCLATURE 1234567	EFF CODE	QTY PER ASSY
01- -140 -140A	315T4705-4 315T4705-30		DELETED ..BRACKET ASSY-ATTACH (LIMITED)	F,H,J ,L, Y-AL, BA-BP ,BR,B T BX-BZ ,CD-C G,C L-CP, CV-CZ DB,DD ,DF,D H,DK, DM,DP ,DR DT,DV ,DX,D Z,EB, ED,EF ,EH EK,EM ,EP,E R,ET, EW,EX ,FA FB,FD ,FF,F H,FK, FS-FV GA-GD ,GG,G H,GL, GM	1

78-31-41

 ILLUSTRATED PARTS LIST
 01.1 Page 1020F
 Nov 01/03

 **BOEING**
COMPONENT
MAINTENANCE MANUAL

FIG. & ITEM	PART NO.	AIRLINE PART NUMBER	NOMENCLATURE	EFF CODE	QTY PER ASSY
01-140B	315T4705-36		1234567 ..BRACKET ASSY-ATTACH (LIMITED)	F,H,J ,L, Y-AL, BA-BP ,BR,B T BX-BZ ,CD-C G,C L-CP, CV-CZ DB,DD ,DF,D H,DK, DM,DP ,DR DT,DV ,DX,D Z,EB, ED,EF ,EH EK,EM ,EP,E R,ET, EW,EX ,FA FB,FD ,FF,F H,FK, FS-FV GA-GD ,GG,G H,GL, GM	1

78-31-41

ILLUSTRATED PARTS LIST
01.1 Page 1020G
Nov 01/03

FIG. & ITEM	PART NO.	AIRLINE PART NUMBER	NOMENCLATURE 1234567	EFF CODE	QTY PER ASSY
01- -140C	315T4705-38		..BRACKET ASSY-ATTACH (LIMITED)	F,H,J ,L, Y-AL, BA-BP ,BR,B T BX-BZ ,CD-C G,C L-CP, CV-CZ DB,DD ,DF,D H,DK, DM,DP ,DR DT,DV ,DX,D Z,EB, ED,EF ,EH EK,EM ,EP,E R,ET, EW,EX ,FA FB,FD ,FF,F H,FK, FS-FV GA-GD ,GG,G H,GL, GM	1
-140D	315T4705-38		..BRACKET ASSY-ATTACH	HB,HD	1

78-31-41

 ILLUSTRATED PARTS LIST
 01.1 Page 1020H
 Nov 01/03

 **BOEING**
COMPONENT
MAINTENANCE MANUAL

FIG. & ITEM	PART NO.	AIRLINE PART NUMBER	NOMENCLATURE 1234567	EFF CODE	QTY PER ASSY
01-143	315T4705-25		...PAD-RUBBER (USED ON ITEMS 137A, 137B, 140A, 140B)	A-FK, FM-FQ ,FS-G M	1
-143A	315T4705-45		...PAD-RUBBER (USED ON ITEMS 137C, 140C)	A-FK, FM-FQ ,FS-G M	1
-143B	315T4705-45		...PAD-RUBBER	HA-HD	1
146	BACR15BA3AD		...RIVET- (SIZE DETERMINE ON INST)	A-FK, FM-FQ ,FS-G M,H	14
149	BRF200C3M		...NUTPLATE- (V52828) (SPEC BACN10JR3CFM) (OPT F5001-3BAC (V15653)) (OPT NS103203SE02 (V80539)) (OPT T8092C1032 (V11815)) (OPT VN152D1-02 (V92215)) (OPT 109F9201-3 (V72962))	A-FK, FM-FQ ,FS-G M,H A-HD	3
152	BRF200C4M		...NUTPLATE- (V52828) (SPEC BACN10JR4CFM) (OPT F5001-4BAC (V15653)) (OPT NS103203SE048 (V80539)) (OPT T8092C428 (V11815)) (OPT VN152D1-048 (V92215)) (OPT 109F9201-4 (V72962))	A-FK, FM-FQ ,FS-G M,H A-HD	4

78-31-41

ILLUSTRATED PARTS LIST
01.1 Page 1020I
Nov 01/03

FIG. & ITEM	PART NO.	AIRLINE PART NUMBER	NOMENCLATURE	EFF CODE	QTY PER ASSY
01-155	315T4705-5		1234567 ..CLIP ASSY- (LIMITED)	A-E,G ,K, M-X,A R-AZ, BQ,BS BU-BW ,CA-C C,C G-CK, CQ-CU DA,DC ,DE,D G,DJ, DL,DN ,DQ DS,DU ,DW,D Y,EA, EC,EE ,EG EJ,EL ,EN,E Q,ES, EU,EV ,EY EZ,FC ,FE,F G,FJ, FM-FQ FW-FZ ,GE, GF,GJ ,GK	1

78-31-41

 ILLUSTRATED PARTS LIST
 01.1 Page 1020J
 Nov 01/03

 **BOEING**
COMPONENT
MAINTENANCE MANUAL

FIG. & ITEM	PART NO.	AIRLINE PART NUMBER	NOMENCLATURE 1234567	EFF CODE	QTY PER ASSY
01- -155A	315T4705-49		..CLIP ASSY- (LIMITED)	A-E,G ,K, M-X,A R-AZ, BQ,BS BU-BW ,CA-C C,C G-CK, CQ-CU DA,DC ,DE,D G,DJ, DL,DN ,DQ DS,DU ,DW,D Y,EA, EC,EE ,EG EJ,EL ,EN,E Q,ES, EU,EV ,EY EZ,FC ,FE,F G,FJ, FM-FQ FW-FZ ,GE, GF,GJ ,GK	1

78-31-41

ILLUSTRATED PARTS LIST
01.1 Page 1020K
Nov 01/03

FIG. & ITEM	PART NO.	AIRLINE PART NUMBER	NOMENCLATURE 1234567	EFF CODE	QTY PER ASSY
01- -155B	315T4705-53		..CLIP ASSY- (LIMITED)	A-E,G ,K, M-X,A R-AZ, BQ,BS BU-BW ,CA-C C,C G-CK, CQ-CU DA,DC ,DE,D G,DJ, DL,DN ,DQ DS,DU ,DW,D Y,EA, EC,EE ,EG EJ,EL ,EN,E Q,ES, EU,EV ,EY EZ,FC ,FE,F G,FJ, FM-FQ FW-FZ ,GE, GF,GJ ,GK HA,HC	1
-155C	315T4705-53		..CLIP ASSY- (USED ON ITEM 107A)		1

78-31-41

 ILLUSTRATED PARTS LIST
 01.1 Page 1020L
 Nov 01/03

FIG. & ITEM	PART NO.	AIRLINE PART NUMBER	NOMENCLATURE 1234567	EFF CODE	QTY PER ASSY
01- -155D	315T4705-53		..CLIP ASSY- (NHA 315T4295, REF COLLECTOR CMM 78-31-47) (NHA 315U4295, REF COLLECTOR CMM 78-31-48)	HA,HC	1
-155E	315T4705-77		..CLIP ASSY- (NHA 315T4295, REF COLLECTOR CMM 78-31-47)	HA	1
-155F	315T4705-79		..CLIP ASSY- (NHA 315T4295, REF COLLECTOR CMM 78-31-47)	HA	1
-155G	315T4705-65		..CLIP ASSY- (NHA 315U4295, REF COLLECTOR CMM 78-31-48)	HC	1
-155H	315T4705-67		..CLIP ASSY- (NHA 315U4295, REF COLLECTOR CMM 78-31-48)	HC	1
-155J	315T4705-69		..CLIP ASSY- (NHA 315U4295, REF COLLECTOR CMM 78-31-48)	HC	1
-155K	315T4705-71		..CLIP ASSY- (NHA 315U4295, REF COLLECTOR CMM 78-31-48)	HC	1

78-31-41

FIG. & ITEM	PART NO.	AIRLINE PART NUMBER	NOMENCLATURE	EFF CODE	QTY PER ASSY
01-158	315T4705-6		1234567 ..CLIP ASSY- (LIMITED)	F,H,J ,L, Y-AL, BA-BP ,BR,B T BX-BZ ,CD-C G,C L-CP, CV-CZ DB,DD ,DF,D H,DK, DM,DP ,DR DT,DV ,DX,D Z,EB, ED,EF ,EH EK,EM ,EP,E R,ET, EW,EX ,FA FB,FD ,FF,F H,FK, FS-FV GA-GD ,GG,G H,GL, GM	1

78-31-41

 ILLUSTRATED PARTS LIST
 01.1 Page 1020N
 Nov 01/03

BOEING
COMPONENT
MAINTENANCE MANUAL

FIG. & ITEM	PART NO.	AIRLINE PART NUMBER	NOMENCLATURE	EFF CODE	QTY PER ASSY
01-158A	315T4705-50		1234567 ..CLIP ASSY- (LIMITED)	F,H,J ,L, Y-AL, BA-BP ,BR,B T BX-BZ ,CD-C G,C L-CP, CV-CZ DB,DD ,DF,D H,DK, DM,DP ,DR DT,DV ,DX,D Z,EB, ED,EF ,EH EK,EM ,EP,E R,ET, EW,EX ,FA FB,FD ,FF,F H,FK, FS-FV GA-GD ,GG,G H,GL, GM	1

78-31-41

ILLUSTRATED PARTS LIST
01.1 Page 10200
Nov 01/03

FIG. & ITEM	PART NO.	AIRLINE PART NUMBER	NOMENCLATURE	EFF CODE	QTY PER ASSY
01-158B	315T4705-54		1234567 ..CLIP ASSY- (LIMITED)	F,H,J ,L, Y-AL, BA-BP ,BR,B T BX-BZ ,CD-C G,C L-CP, CV-CZ DB,DD ,DF,D H,DK, DM,DP ,DR DT,DV ,DX,D Z,EB, ED,EF ,EH EK,EM ,EP,E R,ET, EW,EX ,FA FB,FD ,FF,F H,FK, FS-FV GA-GD ,GG,G H,GL, GM	1

78-31-41

 ILLUSTRATED PARTS LIST
 01.1 Page 1020P
 Nov 01/03

BOEING
COMPONENT
MAINTENANCE MANUAL

FIG. & ITEM	PART NO.	AIRLINE PART NUMBER	NOMENCLATURE 1234567	EFF CODE	QTY PER ASSY
01- -158C	315T4705-54		..CLIP ASSY- (USED ON ITEM 110A)	HB,HD	1
-158D	315T4705-54		..CLIP ASSY- (NHA 315T4295, REF COLLECTOR CMM 78-31-47) (NHA 315U4295, REF COLLECTOR CMM 78-31-48)	HB,HD	1
-158E	315T4705-78		..CLIP ASSY- (NHA 315T4295, REF COLLECTOR CMM 78-31-47)	HB	1
-158F	315T4705-80		..CLIP ASSY- (NHA 315T4295, REF COLLECTOR CMM 78-31-47)	HB	1
-158G	315T4705-66		..CLIP ASSY- (NHA 315U4295, REF COLLECTOR CMM 78-31-48)	HD	1
-158H	315T4705-68		..CLIP ASSY- (NHA 315U4295, REF COLLECTOR CMM 78-31-48)	HD	1
-158J	315T4705-70		..CLIP ASSY- (NHA 315U4295, REF COLLECTOR CMM 78-31-48)	HD	1
-158K	315T4705-72		..CLIP ASSY- (NHA 315U4295, REF COLLECTOR CMM 78-31-48)	HD	1
161	BACR15BA3AD		...RIVET- (SIZE DETERMINE ON INST)	A-FK, FM-FQ ,FS-G M	8
162	BRF200C3M		...NUTPLATE- (V52828) (SPEC BACN10JR3CFM) (OPT F5001-3BAC (V15653)) (OPT NS103203SE02 (V80539)) (OPT VN152D1-02 (V92215)) (OPT 109F9201-3 (V72962)) (OPT T8092C1032 (V11815))	A-FK, FM-FQ ,FS-G M,H A-HD	2

78-31-41

ILLUSTRATED PARTS LIST
01.1 Page 1020Q
Nov 01/03

FIG. & ITEM	PART NO.	AIRLINE PART NUMBER	NOMENCLATURE 1234567	EFF CODE	QTY PER ASSY
01-164	BRF200C4M		...NUTPLATE- (V52828) (SPEC BACN10JR4CFM) (OPT F5001-4BAC (V15653)) (OPT NS103203SE048 (V80539)) (OPT T8092C428 (V11815)) (OPT VN152D1-048 (V92215)) (OPT 109F9201-4 (V72962)) (USED ON ITEMS 155, 158)	A-FK, FM-FQ ,FS-G M	2
-164A	BRFM20C4D		...NUTPLATE- (V52828) (SPEC BACN10JN4CD) (OPT T8301C428CD (V11815)) (OPT 102F9201M4 (V72962)) (OPT NS202487-048 (V80539)) (OPT MF51637-4 (V15653)) (OPT MF53050-4CD (V15653)) (USED ON ITEMS 155A, 155B, 158A, 158B)	A-FK, FM-FQ ,FS-G M	2

78-31-41

ILLUSTRATED PARTS LIST
01.1 Page 1020R
Nov 01/03

 **BOEING**
COMPONENT
MAINTENANCE MANUAL

FIG. & ITEM	PART NO.	AIRLINE PART NUMBER	NOMENCLATURE 1234567	EFF CODE	QTY PER ASSY
01- -164B	BRFM20C4D		...NUTPLATE- (V52828) (SPEC BACN10JN4CD) (OPT T8301C428CD (V11815)) (OPT 102F9201M4 (V72962)) (OPT NS202487-048 (V80539)) (OPT MF51637-4 (V15653)) (OPT MF53050-4CD (V15653))	HA-HD	2

78-31-41

ILLUSTRATED PARTS LIST
01.1 Page 1020S
Nov 01/03

FIG. & ITEM	PART NO.	AIRLINE PART NUMBER	NOMENCLATURE	EFF CODE	QTY PER ASSY
01-164G	315T4705-23		1234567 ...CLIP- (USED ON ITEM 155)	A-E,G ,K, M-X,A R-AZ, BQ,BS BU-BW ,CA-C C,C G-CK, CQ-CU DA,DC ,DE,D G,DJ, DL,DN ,DQ DS,DU ,DW,D Y,EA, EC,EE ,EG EJ,EL ,EN,E Q,ES, EU,EV ,EY EZ,FC ,FE,F G,FJ, FM-FQ FW-FZ ,GE, GF,GJ ,GK	1

78-31-41

 ILLUSTRATED PARTS LIST
 01.1 Page 1020T
 Nov 01/03

FIG. & ITEM	PART NO.	AIRLINE PART NUMBER	NOMENCLATURE	EFF CODE	QTY PER ASSY
01-164H	315T4705-51		1234567 ...CLIP- (USED ON ITEM 155A)	A-E,G ,K, M-X,A R-AZ, BQ,BS BU-BW ,CA-C C,C G-CK, CQ-CU DA,DC ,DE,D G,DJ, DL,DN ,DQ DS,DU ,DW,D Y,EA, EC,EE ,EG EJ,EL ,EN,E Q,ES, EU,EV ,EY EZ,FC ,FE,F G,FJ, FM-FQ FW-FZ ,GE, GF,GJ ,GK	1

78-31-41

ILLUSTRATED PARTS LIST
01.1 Page 1020U
Nov 01/03

FIG. & ITEM	PART NO.	AIRLINE PART NUMBER	NOMENCLATURE	EFF CODE	QTY PER ASSY
01- -164J	315T4705-55		1234567 ...CLIP- (USED ON ITEM 155B)	A-E,G ,K, M-X,A R-AZ, BQ,BS BU-BW ,CA-C C,C G-CK, CQ-CU DA,DC ,DE,D G,DJ, DL,DN ,DQ DS,DU ,DW,D Y,EA, EC,EE ,EG EJ,EL ,EN,E Q,ES, EU,EV ,EY EZ,FC ,FE,F G,FJ, FM-FQ FW-FZ ,GE, GF,GJ ,GK HA,HC	1
-164K	315T4705-55		...CLIP		1

78-31-41

 ILLUSTRATED PARTS LIST
 01.1 Page 1020V
 Nov 01/03

BOEING
COMPONENT
MAINTENANCE MANUAL

FIG. & ITEM	PART NO.	AIRLINE PART NUMBER	NOMENCLATURE	EFF CODE	QTY PER ASSY
01-164M	315T4705-24		1234567 ...CLIP- (USED ON ITEM 158)	F,H,J ,L, Y-AL, BA-BP ,BR,B T BX-BZ ,CD-C G,C L-CP, CV-CZ DB,DD ,DF,D H,DK, DM,DP ,DR DT,DV ,DX,D Z,EB, ED,EF ,EH EK,EM ,EP,E R,ET, EW,EX ,FA FB,FD ,FF,F H,FK, FS-FV GA-GD ,GG,G H,GL, GM	1

78-31-41

ILLUSTRATED PARTS LIST
01.1 Page 1020W
Nov 01/03

FIG. & ITEM	PART NO.	AIRLINE PART NUMBER	NOMENCLATURE	EFF CODE	QTY PER ASSY
01-164N	315T4705-52		1234567 ...CLIP- (USED ON ITEM 158A)	F,H,J ,L, Y-AL, BA-BP ,BR,B T BX-BZ ,CD-C G,C L-CP, CV-CZ DB,DD ,DF,D H,DK, DM,DP ,DR DT,DV ,DX,D Z,EB, ED,EF ,EH EK,EM ,EP,E R,ET, EW,EX ,FA FB,FD ,FF,F H,FK, FS-FV GA-GD ,GG,G H,GL, GM	1

78-31-41

 ILLUSTRATED PARTS LIST
 01.1 Page 1020X
 Nov 01/03

BOEING
COMPONENT
MAINTENANCE MANUAL

FIG. & ITEM	PART NO.	AIRLINE PART NUMBER	NOMENCLATURE	EFF CODE	QTY PER ASSY
01- -164P	315T4705-56		1234567 ...CLIP- (USED ON ITEM 158B)	F,H,J ,L, Y-AL, BA-BP ,BR,B T BX-BZ ,CD-C G,C L-CP, CV-CZ DB,DD ,DF,D H,DK, DM,DP ,DR DT,DV ,DX,D Z,EB, ED,EF ,EH EK,EM ,EP,E R,ET, EW,EX ,FA FB,FD ,FF,F H,FK, FS-FV GA-GD ,GG,G H,GL, GM	1
-164Q 165	315T4705-56 BACR15BA5B		...CLIP ..RIVET- (LIMITED) (SIZE DETERMINE ON INST)	HB,HD A-FK, FM-FQ ,FS-G M	1 12

78-31-41

FIG. & ITEM	PART NO.	AIRLINE PART NUMBER	NOMENCLATURE	EFF CODE	QTY PER ASSY
			1234567		
01- -165A	BACR15BA5B		..RIVET- (SIZE DETERMINE ON INST) (USED ON ITEMS 107A, 110A)	HA-HD	12
166	315T3530-5		..STRIP-RUB (LIMITED) (ITEM 186 AND ITEM 166 OPT TO ITEM 186A)	A-E,G ,K, M-X,A R-AZ, BQ,BS BU-BW ,CA-C C,C G-CK, CQ-CU DA,DC ,DE,D G,DJ, DL,DN ,DQ DS,DU ,DW,D Y,EA, EC,EE ,EG EJ,EL ,EN,E Q,ES, EU,EV ,EY EZ,FC ,FE,F G,FJ, FM-FQ FW-FZ ,GE, GF,GJ ,GK	1

78-31-41

 ILLUSTRATED PARTS LIST
 01.1 Page 1020Z
 Nov 01/03

 **BOEING**
COMPONENT
MAINTENANCE MANUAL

FIG. & ITEM	PART NO.	AIRLINE PART NUMBER	NOMENCLATURE	EFF CODE	QTY PER ASSY
01- -166A	315T3530-5		1234567 ..STRIP-RUB (ITEM 186B AND ITEM 166A OPT TO ITEM 186C) (USED ON ITEM 107A)	HA,HC	1
-166F	315T3530-6		..STRIP-RUB (LIMITED) (ITEM 187 AND ITEM 166F OPT TO ITEM 187A)	F,H,J ,L, Y-AL, BA-BP ,BR,B T BX-BZ ,CD-C G,C L-CP, CV-CZ DB,DD ,DF,D H,DK, DM,DP ,DR DT,DV ,DX,D Z,EB, ED,EF ,EH EK,EM ,EP,E R,ET, EW,EX ,FA FB,FD ,FF,F H,FK, FS-FV GA-GD ,GG,G H,GL, GM	1

78-31-41

ILLUSTRATED PARTS LIST
01.1 Page 1021
Nov 01/03

FIG. & ITEM	PART NO.	AIRLINE PART NUMBER	NOMENCLATURE 1234567	EFF CODE	QTY PER ASSY
01- -166G	315T3530-6		..STRIP-RUB (ITEM 186B AND ITEM 166G OPT TO ITEM 187C) (USED ON ITEM 110A)	HB,HD	1
-166L	315T4579-15		..KIT ASSY-SUB (OPT ITEM 186D) (USED ON ITEMS 107B, 107C, 107D, 107E, 107F, 107G, 107H)	HA,HC	1
-166N	315T4579-16		..KIT ASSY-SUB (OPT ITEM 187D) (USED ON ITEMS 110B, 110C, 110D, 110E, 110F, 110G, 110H)	HB,HD	1
166Q	BACR15BA5AD		...RIVET- (SIZE DETERMINE ON INST)	HA-HD	12
166S	315T3530-5		...STRIP-RUB	HA,HC	1
-166U	315T3530-6		...STRIP-RUB	HB,HD	1
166W	315T4531-5		...FAIRING	HA,HC	1

78-31-41

 ILLUSTRATED PARTS LIST
 01.1 Page 1022
 Nov 01/03

FIG. & ITEM	PART NO.	AIRLINE PART NUMBER	NOMENCLATURE	EFF CODE	QTY PER ASSY
01- -166Y 167	315T4531-6 315T3530-7		1234567 ...FAIRING ..FAIRING ASSY- (REPLD BY ITEMS 167A, 186) (315T4531-5 TOGETHER WITH 315T3530-5 RUB STRIP I/W 315T3530-7)	HB,HD A-E,G ,K, M-X,A R-AZ, BQ,BS BU-BW ,CA-C C,C G-CK, CQ-CU DA,DC ,DE,D G,DJ, DL,DN ,DQ DS,DU ,DW,D Y,EA, EC,EE ,EG EJ,EL ,EN,E Q,ES, EU,EV ,EY EZ,FC ,FE,F G,FJ, FM-FQ FW-FZ ,GE, GF,GJ ,GK	1 1

78-31-41

FIG. & ITEM	PART NO.	AIRLINE PART NUMBER	NOMENCLATURE	EFF CODE	QTY PER ASSY
01-167A	315T3530-15		1234567 ..FAIRING ASSY- (REPLS ITEM 167) (315T4531-5 T/W 315T3530-5 RUBSTRIP I/W 315T3530-7)	A-E,G ,K, M-X,A R-AZ, BQ,BS BU-BW ,CA-C C,C G-CK, CQ-CU DA,DC ,DE,D G,DJ, DL,DN ,DQ DS,DU ,DW,D Y,EA, EC,EE ,EG EJ,EL ,EN,E Q,ES, EU,EV ,EY EZ,FC ,FE,F G,FJ, FM-FQ FW-FZ ,GE, GF,GJ ,GK	1

78-31-41

 ILLUSTRATED PARTS LIST
 01.1 Page 1022B
 Nov 01/03

 **BOEING**
COMPONENT
MAINTENANCE MANUAL

FIG. & ITEM	PART NO.	AIRLINE PART NUMBER	NOMENCLATURE	EFF CODE	QTY PER ASSY
01-170	315T3530-8		1234567 ..FAIRING ASSY- (REPLD BY ITEMS 170B, 187) (315T4531-6 TOGETHER WITH 315T3530-6 RUB STRIP I/W 315T3530-8)	F,H,J ,L, Y-AL, BA-BP ,BR,B T BX-BZ ,CD-C G,C L-CP, CV-CZ DB,DD ,DF,D H,DK, DM,DP ,DR DT,DV ,DX,D Z,EB, ED,EF ,EH EK,EM ,EP,E R,ET, EW,EX ,FA FB,FD ,FF,F H,FK, FS-FV GA-GD ,GG,G H,GL, GM	1

78-31-41

ILLUSTRATED PARTS LIST
01.1 Page 1022C
Nov 01/03

FIG. & ITEM	PART NO.	AIRLINE PART NUMBER	NOMENCLATURE	EFF CODE	QTY PER ASSY
01- -170A -170B	315T3530-8 315T3530-16		1234567 DELETED ..FAIRING ASSY- (REPLS ITEM 170) (315T4531-6 T/W 315T3530-6 RUBSTRIP I/W 315T3530-16)	F,H,J ,L, Y-AL, BA-BP ,BR,B T BX-BZ ,CD-C G,C L-CP, CV-CZ DB,DD ,DF,D H,DK, DM,DP ,DR DT,DV ,DX,D Z,EB, ED,EF ,EH EK,EM ,EP,E R,ET, EW,EX ,FA FB,FD ,FF,F H,FK, FS-FV GA-GD ,GG,G H,GL, GM	1

78-31-41

 ILLUSTRATED PARTS LIST
 01.1 Page 1022D
 Nov 01/03

 **BOEING**
COMPONENT
MAINTENANCE MANUAL

FIG. & ITEM	PART NO.	AIRLINE PART NUMBER	NOMENCLATURE 1234567	EFF CODE	QTY PER ASSY
01-173	315T3530-9		...BOND ASSY- (USED ON ITEM 167)	A-E,G ,K, M-X,A R-AZ, BQ,BS BU-BW ,CA-C C,C G-CK, CQ-CU DA,DC ,DE,D G,DJ, DL,DN ,DQ DS,DU ,DW,D Y,EA, EC,EE ,EG EJ,EL ,EN,E Q,ES, EU,EV ,EY EZ,FC ,FE,F G,FJ, FM-FQ FW-FZ ,GE, GF,GJ ,GK	1

78-31-41

ILLUSTRATED PARTS LIST
01.1 Page 1022E
Nov 01/03

FIG. & ITEM	PART NO.	AIRLINE PART NUMBER	NOMENCLATURE	EFF CODE	QTY PER ASSY
01-173A	315T3530-17		1234567 ...BOND ASSY- (USED ON ITEM 167A)	A-E,G ,K, M-X,A R-AZ, BQ,BS BU-BW ,CA-C C,C G-CK, CQ-CU DA,DC ,DE,D G,DJ, DL,DN ,DQ DS,DU ,DW,D Y,EA, EC,EE ,EG EJ,EL ,EN,E Q,ES, EU,EV ,EY EZ,FC ,FE,F G,FJ, FM-FQ FW-FZ ,GE, GF,GJ ,GK	1

78-31-41

 ILLUSTRATED PARTS LIST
 01.1 Page 1022F
 Nov 01/03

 **BOEING**
COMPONENT
MAINTENANCE MANUAL

FIG. & ITEM	PART NO.	AIRLINE PART NUMBER	NOMENCLATURE	EFF CODE	QTY PER ASSY
01-176	315T3530-10		1234567 ...BOND ASSY- (USED ON ITEM 170)	F,H,J ,L, Y-AL, BA-BP ,BR,B T BX-BZ ,CD-C G,C L-CP, CV-CZ DB,DD ,DF,D H,DK, DM,DP ,DR DT,DV ,DX,D Z,EB, ED,EF ,EH EK,EM ,EP,E R,ET, EW,EX ,FA FB,FD ,FF,F H,FK, FS-FV GA-GD ,GG,G H,GL, GM	1

78-31-41

ILLUSTRATED PARTS LIST
01.1 Page 1022G
Nov 01/03

FIG. & ITEM	PART NO.	AIRLINE PART NUMBER	NOMENCLATURE	EFF CODE	QTY PER ASSY
01-176A	315T3530-18		1234567 ...BOND ASSY- (USED ON ITEM 170A)	F,H,J ,L, Y-AL, BA-BP ,BR,B T BX-BZ ,CD-C G,C L-CP, CV-CZ DB,DD ,DF,D H,DK, DM,DP ,DR DT,DV ,DX,D Z,EB, ED,EF ,EH EK,EM ,EP,E R,ET, EW,EX ,FA FB,FD ,FF,F H,FK, FS-FV GA-GD ,GG,G H,GL, GM	1

78-31-41

ILLUSTRATED PARTS LIST
01.1 Page 1022H
Nov 01/03

FIG. & ITEM	PART NO.	AIRLINE PART NUMBER	NOMENCLATURE 1234567	EFF CODE	QTY PER ASSY
01-179	BACR15BA5AD		...RIVET- (SIZE DETERMINE ON INST)	A-FK, FM-FQ, ,FS-G M	12
182	315T3530-5		...STRIP-RUB	A-E,G ,K, M-X,A R-AZ, BQ,BS BU-BW ,CA-C C,C G-CK, CQ-CU DA,DC ,DE,D G,DJ, DL,DN ,DQ DS,DU ,DW,D Y,EA, EC,EE ,EG EJ,EL ,EN,E Q,ES, EU,EV ,EY EZ,FC ,FE,F G,FJ, FM-FQ FW-FZ ,GE, GF,GJ ,GK	1

78-31-41

ILLUSTRATED PARTS LIST
01.1 Page 1022I
Nov 01/03

FIG. & ITEM	PART NO.	AIRLINE PART NUMBER	NOMENCLATURE	EFF CODE	QTY PER ASSY
01-185	315T3530-6		1234567 ...STRIP-RUB	F,H,J ,L, Y-AL, BA-BP ,BR,B T BX-BZ ,CD-C G,C L-CP, CV-CZ DB,DD ,DF,D H,DK, DM,DP ,DR DT,DV ,DX,D Z,EB, ED,EF ,EH EK,EM ,EP,E R,ET, EW,EX ,FA FB,FD ,FF,F H,FK, FS-FV GA-GD ,GG,G H,GL, GM	1

78-31-41

 ILLUSTRATED PARTS LIST
 01.1 Page 1022J
 Nov 01/03

 **BOEING**
COMPONENT
MAINTENANCE MANUAL

FIG. & ITEM	PART NO.	AIRLINE PART NUMBER	NOMENCLATURE	EFF CODE	QTY PER ASSY
01-186	315T4531-5		1234567 ..FAIRING- (REPLS ITEM 167) (REPLD BY ITEM 186A) (315T4531-5 TOGETHER WITH 315T3530-5 RUB STRIP I/W 315T3530-7) (315T4531-11 I/W 315T4531-5 T/W 315T3530-5 RUBSTRIP) (ITEM 186 AND ITEM 166 OPT TO ITEM 186A)	A-E,G ,K, M-X,A R-AZ, BQ,BS BU-BW ,CA-C C,C G-CK, CQ-CU DA,DC ,DE,D G,DJ, DL,DN ,DQ DS,DU ,DW,D Y,EA, EC,EE ,EG EJ,EL ,EN,E Q,ES, EU,EV ,EY EZ,FC ,FE,F G,FJ, FM-FQ FW-FZ ,GE, GF,GJ ,GK	1

78-31-41

ILLUSTRATED PARTS LIST
01.1 Page 1022K
Nov 01/03

FIG. & ITEM	PART NO.	AIRLINE PART NUMBER	NOMENCLATURE	EFF CODE	QTY PER ASSY
01-186A	315T4531-11		1234567 ..FAIRING- (REPLS ITEM 186) (315T4531-11 I/W 315T4531-5 T/W 315T3530-5 RUBSTRIP) (ITEM 186 AND ITEM 166 OPT TO ITEM 186A)	A-E,G ,K, M-X,A R-AZ, BQ,BS BU-BW ,CA-C C,C G-CK, CQ-CU DA,DC ,DE,D G,DJ, DL,DN ,DQ DS,DU ,DW,D Y,EA, EC,EE ,EG EJ,EL ,EN,E Q,ES, EU,EV ,EY EZ,FC ,FE,F G,FJ, FM-FQ FW-FZ ,GE, GF,GJ ,GK	1

78-31-41

 ILLUSTRATED PARTS LIST
 01.1 Page 1022L
 Nov 01/03

 **BOEING**
COMPONENT
MAINTENANCE MANUAL

FIG. & ITEM	PART NO.	AIRLINE PART NUMBER	NOMENCLATURE 1234567	EFF CODE	QTY PER ASSY
01- -186B	315T4531-5		..FAIRING- (315T4531-11 I/W 315T4531-5 T/W 315T3530-5 RUBSTRIP) (ITEM 186B AND ITEM 166A OPT TO ITEM 186C) (USED ON ITEM 107A)	HA,HC	1
-186C	315T4531-11		..FAIRING- (315T4531-11 I/W 315T4531-5 T/W 315T3530-5 RUBSTRIP) (ITEM 186B AND ITEM 166A OPT TO ITEM 186C) (USED ON ITEM 107A)	HA,HC	1
-186D	315T4531-11		..FAIRING- (315T4531-11 I/W 315T4531-5 T/W 315T3530-5 RUBSTRIP) (OPT ITEM 166L) (USED ON ITEMS 107B, 107C, 107D, 107E, 107F, 107G, 107H)	HA,HC	1

78-31-41

ILLUSTRATED PARTS LIST
01.1 Page 1022M
Nov 01/03

FIG. & ITEM	PART NO.	AIRLINE PART NUMBER	NOMENCLATURE 1234567	EFF CODE	QTY PER ASSY
01-187	315T4531-6		..FAIRING- (REPLS ITEM 170) (REPLD BY ITEM 187A) (315T4531-6 TOGETHER WITH 315T3530-6 RUB STRIP I/W 315T3530-8) (315T4531-12 I/W 315T4531-6 T/W 315T3530-6 RUBSTRIP) (315T4531-6 T/W 315T3530-6 RUBSTRIP I/W 315T3530-16) (ITEM 187 AND ITEM 166F OPT TO ITEM 187A)	F,H,J ,L, Y-AL, BA-BP ,BR,B T BX-BZ ,CD-C G,C L-CP, CV-CZ DB,DD ,DF,D H,DK, DM,DP ,DR DT,DV ,DX,D Z,EB, ED,EF ,EH EK,EM ,EP,E R,ET, EW,EX ,FA FB,FD ,FF,F H,FK, FS-FV GA-GD ,GG,G H,GL, GM	1

78-31-41

 **BOEING**
COMPONENT
MAINTENANCE MANUAL

FIG. & ITEM	PART NO.	AIRLINE PART NUMBER	NOMENCLATURE	EFF CODE	QTY PER ASSY
01-187A	315T4531-12		1234567 ..FAIRING- (REPLS ITEM 187) (315T4531-12 I/W 315T4531-6 T/W 315T3530-6 RUBSTRIP) (ITEM 187 AND ITEM 166F OPT TO ITEM 187A)	F,H,J ,L, Y-AL, BA-BP ,BR,B T BX-BZ ,CD-C G,C L-CP, CV-CZ DB,DD ,DF,D H,DK, DM,DP ,DR DT,DV ,DX,D Z,EB, ED,EF ,EH EK,EM ,EP,E R,ET, EW,EX ,FA FB,FD ,FF,F H,FK, FS-FV GA-GD ,GG,G H,GL, GM	1

78-31-41

ILLUSTRATED PARTS LIST
01.1 Page 10220
Nov 01/03

FIG. & ITEM	PART NO.	AIRLINE PART NUMBER	NOMENCLATURE 1234567	EFF CODE	QTY PER ASSY
01- -187B	315T4531-6		..FAIRING- (315T4531-12 I/W 315T4531-6 T/W 315T3530-6 RUBSTRIP) (ITEM 187B AND ITEM 166G OPT TO ITEM 187C) (USED ON ITEM 110A)	HB,HD	1
-187C	315T4531-12		..FAIRING- (315T4531-12 I/W 315T4531-6 T/W 315T3530-6 RUBSTRIP) (ITEM 187B AND ITEM 166G OPT TO ITEM 187C) (USED ON ITEM 110A)	HB,HD	1
-187D	315T4531-12		..FAIRING- (315T4531-12 I/W 315T4531-6 T/W 315T3530-6 RUBSTRIP) (OPT ITEM 166N) (USED ON ITEMS 110B, 110C, 110D, 110E, 110F, 110G, 110H)	HB,HD	1

78-31-41

 ILLUSTRATED PARTS LIST
 01.1 Page 1022P
 Nov 01/03

 **BOEING**
COMPONENT
MAINTENANCE MANUAL

FIG. & ITEM	PART NO.	AIRLINE PART NUMBER	NOMENCLATURE	EFF CODE	QTY PER ASSY
01-188	315T4530-1		1234567 ..FAIRING ASSY- (REPLD BY ITEM 189)	A-E,G ,K, M-X,A R-AZ, BQ,BS BU-BW ,CA-C C,C G-CK, CQ-CU DA,DC ,DE,D G,DJ, DL,DN ,DQ DS,DU ,DW,D Y,EA, EC,EE ,EG EJ,EL ,EN,E Q,ES, EU,EV ,EY EZ,FC ,FE,F G,FJ, FM-FQ FW-FZ ,GE, GF,GJ ,GK	1

78-31-41

ILLUSTRATED PARTS LIST
01.1 Page 1022Q
Nov 01/03

FIG. & ITEM	PART NO.	AIRLINE PART NUMBER	NOMENCLATURE	EFF CODE	QTY PER ASSY
01-189	315T4531-7		1234567 ..FAIRING- (REPLS ITEM 188)	A-E,G ,K, M-X,A R-AZ, BQ,BS BU-BW ,CA-C C,C G-CK, CQ-CU DA,DC ,DE,D G,DJ, DL,DN ,DQ DS,DU ,DW,D Y,EA, EC,EE ,EG EJ,EL ,EN,E Q,ES, EU,EV ,EY EZ,FC ,FE,F G,FJ, FM-FQ FW-FZ ,GE, GF,GJ ,GK	1

78-31-41

 ILLUSTRATED PARTS LIST
 01.1 Page 1022R
 Nov 01/03

BOEING
COMPONENT
MAINTENANCE MANUAL

FIG. & ITEM	PART NO.	AIRLINE PART NUMBER	NOMENCLATURE	EFF CODE	QTY PER ASSY
			1234567		
01-					
-189A	315T4531-7		..FAIRING	HA,HC	1
-191	315T4530-2		..FAIRING ASSY- (REPLD BY ITEM 192)	F,H,J ,L, Y-AL, BA-BP ,BR,B T BX-BZ ,CD-C G,C L-CP, CV-CZ DB,DD ,DF,D H,DK, DM,DP ,DR DT,DV ,DX,D Z,EB, ED,EF ,EH EK,EM ,EP,E R,ET, EW,EX ,FA FB,FD ,FF,F H,FK, FS-FV GA-GD ,GG,G H,GL, GM	1

78-31-41

ILLUSTRATED PARTS LIST
01.1 Page 1022S
Nov 01/03

FIG. & ITEM	PART NO.	AIRLINE PART NUMBER	NOMENCLATURE	EFF CODE	QTY PER ASSY
01-192	315T4531-8		1234567 ..FAIRING- (REPLS ITEM 191)	F,H,J ,L, Y-AL, BA-BP ,BR,B T BX-BZ ,CD-C G,C L-CP, CV-CZ DB,DD ,DF,D H,DK, DM,DP ,DR DT,DV ,DX,D Z,EB, ED,EF ,EH EK,EM ,EP,E R,ET, EW,EX ,FA FB,FD ,FF,F H,FK, FS-FV GA-GD ,GG,G H,GL, GM HB,HD	1
-192A	315T4531-8		..FAIRING		1

78-31-41

 ILLUSTRATED PARTS LIST
 01.1 Page 1022T
 Nov 01/03

 **BOEING**
COMPONENT
MAINTENANCE MANUAL

FIG. & ITEM	PART NO.	AIRLINE PART NUMBER	NOMENCLATURE 1234567	EFF CODE	QTY PER ASSY
01- -194	315T3703-11		.INDICATION INSTL-POSITION	B-E,G ,N-U, W,X,A N-AX, AZ,BQ BS,BV ,BW, CA-CC ,CG-C K CR-CU ,DE,D G,EG, EJ,EL ,EN EQ,ES ,EU,E V,EY, EZ	1
-194A	315T3703-11		.INDICATION INSTL-POSITION (LIMITED)	V,AY, CQ,DA ,DC,D J,DL, DN,DY EA,EC ,EE	1
-194B	315T3703-13		.INDICATION INSTL-POSITION (LIMITED)	V,AY, CQ,DA ,DC,D J,DL, DN,DY EA,EC ,EE	1

78-31-41

ILLUSTRATED PARTS LIST
01.1 Page 1022U
Nov 01/03

FIG. & ITEM	PART NO.	AIRLINE PART NUMBER	NOMENCLATURE 1234567	EFF CODE	QTY PER ASSY
01- -194C	315T3703-13		.INDICATION INSTL-POSITION	A,K,M ,AM,D Q,DS, DU,DW ,FC FE,FG ,FJ,F M-FQ, FW-FZ ,GE GH,GL ,GM	1
-194D	315T3703-17		.INDICATION INSTL-POSITION (NHA 315T4295, REF COLLECTOR CMM 78-31-47) (NHA 315U4295, REF COLLECTOR CMM 78-31-48)	HA,HC	1
-194E	315T3703-27		.INDICATION INSTL-POSITION (NHA 315T4295, REF COLLECTOR CMM 78-31-47)	HA	1
-194F	315T3703-29		.INDICATION INSTL-POSITION (NHA 315T4295, REF COLLECTOR CMM 78-31-47)	HA	1
-194G	315T3703-19		.INDICATION INSTL-POSITION (NHA 315U4295, REF COLLECTOR CMM 78-31-48)	HC	1
-194H	315T3703-21		.INDICATION INSTL-POSITION (NHA 315U4295, REF COLLECTOR CMM 78-31-48)	HC	1
-194J	315T3703-23		.INDICATION INSTL-POSITION (NHA 315U4295, REF COLLECTOR CMM 78-31-48)	HC	1
-194K	315T3703-25		.INDICATION INSTL-POSITION (NHA 315U4295, REF COLLECTOR CMM 78-31-48)	HC	1

78-31-41

 ILLUSTRATED PARTS LIST
 01.1 Page 1022V
 Nov 01/03

BOEING
COMPONENT
MAINTENANCE MANUAL

FIG. & ITEM	PART NO.	AIRLINE PART NUMBER	NOMENCLATURE 1234567	EFF CODE	QTY PER ASSY
01- -197	315T3703-12		.INDICATION INSTL-POSITION	F,H,Z ,AA-A H,AK, AL,B B-BM BP,BR ,BT,B X-BZ, CD-CF CL-CP ,CV-C Y,DF, DH,EH ,EK EM,EP ,ER,E T,EW, EX,FA ,FB	1
-197A	315T3703-12		.INDICATION INSTL-POSITION (LIMITED)	AJ,BN ,CZ, DB,DD ,DK,D M,DP DZ,EB ,ED,E F	1
-197B	315T3703-14		.INDICATION INSTL-POSITION (LIMITED)	AJ,BN ,CZ, DB,DD ,DK,D M,DP DZ,EB ,ED,E F	1

78-31-41

ILLUSTRATED PARTS LIST
01.1 Page 1022W
Nov 01/03

FIG. & ITEM	PART NO.	AIRLINE PART NUMBER	NOMENCLATURE 1234567	EFF CODE	QTY PER ASSY
01- -197C	315T3703-14		.INDICATION INSTL-POSITION	J,L,Y ,BA,D R,DT, DV,DX ,FD FF,FH ,FK,F S-FV, GA-GD ,GG GH,GL ,GM	1
-197D	315T3703-18		.INDICATION INSTL-POSITION (NHA 315T4295, REF COLLECTOR CMM 78-31-47) (NHA 315U4295, REF COLLECTOR CMM 78-31-48)	HB,HD	1
-197E	315T3703-28		.INDICATION INSTL-POSITION (NHA 315T4295, REF COLLECTOR CMM 78-31-47)	HB	1
-197F	315T3703-30		.INDICATION INSTL-POSITION (NHA 315T4295, REF COLLECTOR CMM 78-31-47)	HB	1
-197G	315T3703-20		.INDICATION INSTL-POSITION (NHA 315U4295, REF COLLECTOR CMM 78-31-48)	HD	1
-197H	315T3703-22		.INDICATION INSTL-POSITION (NHA 315U4295, REF COLLECTOR CMM 78-31-48)	HD	1

78-31-41

 ILLUSTRATED PARTS LIST
 01.1 Page 1022X
 Nov 01/03

 **BOEING**
COMPONENT
MAINTENANCE MANUAL

FIG. & ITEM	PART NO.	AIRLINE PART NUMBER	NOMENCLATURE 1234567	EFF CODE	QTY PER ASSY
01- -197J	315T3703-24		.INDICATION INSTL-POSITION (NHA 315U4295, REF COLLECTOR CMM 78-31-48)	HD	1
-197K	315T3703-26		.INDICATION INSTL-POSITION (NHA 315U4295, REF COLLECTOR CMM 78-31-48)	HD	1
200	MS21340-05		..NUT	A-FK, FM-FQ ,FS-G M,H A-HD	2
203	MS21340-05		DELETED		
206	AN960PD1016L		DELETED		
206A	NAS1149D1016J		..WASHER	A-FK, FM-FQ ,FS-G M,H A-HD	2
209	8-348-02		DELETED		
-209A	8-716-01		DELETED		
212	8-348-02		DELETED		

78-31-41

ILLUSTRATED PARTS LIST
01.1 Page 1022Y
Nov 01/03

FIG. & ITEM	PART NO.	AIRLINE PART NUMBER	NOMENCLATURE	EFF CODE	QTY PER ASSY
01- -212A 215	8-716-01 8-344-03		1234567 DELETED ..SENSOR- (V08748) (S176) (SPEC S283T006-7) (OPT 8-344-02 (V08748)) (FOR SPARES PROCURE 8-345-03 (V08748))	A-E,G ,K, M-X,A M-AZ, BQ,BS BV,BW ,CA-C C,C G-CK, CQ-CU DA,DC ,DE,D G,DJ, DL,DN ,DQ DS,DU ,DW,D Y,EA, EC,EE ,EG EJ,EL ,EN,E Q,ES, EU,EV ,EY EZ,FC ,FE,F G,FJ, FM-FQ FW-FZ ,GE, GF,GJ ,GK, HA,HC	1

78-31-41

 ILLUSTRATED PARTS LIST
 01.1 Page 1022Z
 Nov 01/03

 **BOEING**
COMPONENT
MAINTENANCE MANUAL

FIG. & ITEM	PART NO.	AIRLINE PART NUMBER	NOMENCLATURE	EFF CODE	QTY PER ASSY
01-218	8-344-03		1234567 ..SENSOR- (V08748) (S177) (SPEC S283T006-7) (OPT 8-344-02 (V08748)) (FOR SPARES PROCURE 8-345-03 (V08748))	F,H,J ,Y-AL ,BA-B P,BR, BT BX-BZ ,CD-C F,C L-CP, CV-CZ DB,DD ,DF,D H,DK, DM,DP ,DR DT,DU ,DW,D Z,EB, ED,EF ,EH EK,EM ,EP,E R,ET, EW,EX ,FA FB,FD ,FF,F H,FK, FS-FV GA-GD ,GG,G H,GL, GM,HB ,HD	1

78-31-41

ILLUSTRATED PARTS LIST
01.1 Page 1023
Nov 01/03

FIG. & ITEM	PART NO.	AIRLINE PART NUMBER	NOMENCLATURE 1234567	EFF CODE	QTY PER ASSY
01-221	BACS12CK3-7		..SCREW	A-FK, FM-FQ FS-G M,H A-HD	2
224	BACW10BP3DP		..WASHER	A-FK, FM-FQ FS-G M,H A-HD	2
227	AN3053-4		..FERRULE	A-FK, FM-FQ FS-G M,H A-HD	1
230	AN3054-4		..NUT	A-FK, FM-FQ FS-G M,H A-HD	1
233	AN3055-12-4		..CONNECTOR	A-FK, FM-FQ FS-G M,H A-HD	1
236	NAS603-8P		..SCREW	A-FK, FM-FQ FS-G M,H A-HD	1

78-31-41

 ILLUSTRATED PARTS LIST
 01.1 Page 1024
 Nov 01/03

 **BOEING**
COMPONENT
MAINTENANCE MANUAL

FIG. & ITEM	PART NO.	AIRLINE PART NUMBER	NOMENCLATURE 1234567	EFF CODE	QTY PER ASSY
01- 239 239A	AN960-10L NAS1149F0332P		DELETED ..WASHER	A-FK, FM-FQ FS-G M,H A-HD	1
242 242A	AN960-10L NAS1149F0332P		DELETED ..WASHER	A-FK, FM-FQ FS-G M,H A-HD	AR
245 245A	H10-3BAC BRH10C3D		DELETED ..NUT- (V52828) (SPEC BACN10JC3CD) (OPT T6C1032JCD (V11815)) (OPT NS202486-02 (V80539)) (OPT 102LH9075-3W (V72962)) (OPT H51650-3BAC (V15653))	A-FK, FM-FQ FS-G M,H A-HD	1
248	AN742D4		..CLAMP	A-FK, FM-FQ FS-G M,H A-HD	1

78-31-41

ILLUSTRATED PARTS LIST
01.1 Page 1024A
Nov 01/03

FIG. & ITEM	PART NO.	AIRLINE PART NUMBER	NOMENCLATURE	EFF CODE	QTY PER ASSY
01-251	315T3703-5		1234567 ..CONDUIT	A-E,G ,K, M-X,A M-AZ, BQ,BS BV,BW ,CA-C C,C G-CK, CQ-CU DA,DC ,DE,D G,DJ, DL,DN ,DQ DS,DU ,DW,D Y,EA, EC,EE ,EG EJ,EL ,EN,E Q,ES, EU,EV ,EY EZ,FC ,FE,F G,FJ, FM-FQ FW-FZ ,GE, GF,GJ ,GK, HA,HC	1

78-31-41

 ILLUSTRATED PARTS LIST
 01.1 Page 1024B
 Nov 01/03

FIG. & ITEM	PART NO.	AIRLINE PART NUMBER	NOMENCLATURE	EFF CODE	QTY PER ASSY
01- -254	315T3703-6		1234567 ..CONDUIT	F,H,J ,L, Y-AL, BA-BP ,BR,B T BX-BZ ,CD-C F,C L-CP, CV-CZ DB,DD ,DF,D H,DK, DM,DP ,DR DT,DV ,DX,D Z,EB, ED,EF ,EH EK,EM ,EP,E R,ET, EW,EX ,FA FB,FD ,FF,F H,FK, FS-FV GA-GD ,GG,G H,GL, GM,HB ,HD	1

78-31-41

ILLUSTRATED PARTS LIST
01.1 Page 1024C
Nov 01/03

FIG. & ITEM	PART NO.	AIRLINE PART NUMBER	NOMENCLATURE	EFF CODE	QTY PER ASSY
01-257	315T3703-9		1234567 ..ANGLE	A-E,G ,K, M-X,A M-AZ, BQ,BS BV,BW ,CA-C C,C G-CK, CQ-CU DA,DC ,DE,D G,DJ, DL,DN ,DQ DS,DU ,DW,D Y,EA, EC,EE ,EG EJ,EL ,EN,E Q,ES, EU,EV ,EY EZ,FC ,FE,F G,FJ, FM-FQ FW-FZ ,GE, GF,GJ ,GK, HA,HC	1

78-31-41

 ILLUSTRATED PARTS LIST
 01.1 Page 1024D
 Nov 01/03

BOEING
COMPONENT
MAINTENANCE MANUAL

FIG. & ITEM	PART NO.	AIRLINE PART NUMBER	NOMENCLATURE	EFF CODE	QTY PER ASSY
01-260	315T3703-10		1234567 ..ANGLE	F,H,J ,L, Y-AL, BA-BP ,BR,B T BX-BZ ,CD-C F,C L-CP, CV-CZ DB,DD ,DF,D H,DK, DM,DP ,DR DT,DV ,DX,D Z,EB, ED,EF ,EH EK,EM ,EP,E R,ET, EW,EX ,FA FB,FD ,FF,F H,FK, FS-FV GA-GD ,GG,G H,GL, GM,HB ,HD	1

78-31-41

ILLUSTRATED PARTS LIST
01.1 Page 1024E
Nov 01/03

FIG. & ITEM	PART NO.	AIRLINE PART NUMBER	NOMENCLATURE 1234567	EFF CODE	QTY PER ASSY
01-263	NAS1801-3-12		..SCREW	A-FK, FM-FQ ,FS-G M,H A-HD	2
266 266A	AN960PD10L NAS1149D0316J		DELETED ..WASHER	A-FK, FM-FQ ,FS-G M,H A-HD	2
269 -269A 269B	AN960PD10 AN960PD10L NAS1149D0316J		DELETED DELETED ..WASHER- (OPT ITEM 269C)	A-FK, FM-FQ ,FS-G M,H A-HD	AR
-269C	NAS1149D0363J		..WASHER- (OPT ITEM 269B)	A-FK, FM-FQ ,FS-G M,H A-HD	AR
272 272A	BACN10GW3 NAS1805-3L		DELETED ..NUT	A-FK, FM-FQ ,FS-G M,H A-HD	2

78-31-41

 ILLUSTRATED PARTS LIST
 01.1 Page 1024F
 Nov 01/03

 **BOEING**
COMPONENT
MAINTENANCE MANUAL

FIG. & ITEM	PART NO.	AIRLINE PART NUMBER	NOMENCLATURE 1234567	EFF CODE	QTY PER ASSY
01-275	315T3723-3		..TARGET- (USED ON ITEMS 194, 194A, 197, 197A)	B-H, N-X, Z-AL, AN-AZ ,BB-B T BV-DP ,DY- FB	1
-275A	315T3723-6		..TARGET- (USED ON ITEMS 194B, 194C, 197B, 197C)	A,J-M ,V,Y, AJ,AM ,AY, BA,BN CQ,CN Z-DD, DJ-EF ,FC-F K FM-FQ ,FS-G M	1
-275B 278	315T3723-6 BAC27TTR0017		..TARGET ..MARKER-ALUMINUM FOIL- DEPLOY	HA,HB A-FK, FM-FQ ,FS-G M,H A-HD	1 1

78-31-41

ILLUSTRATED PARTS LIST
01.1 Page 1024G
Nov 01/03

FIG. & ITEM	PART NO.	AIRLINE PART NUMBER	NOMENCLATURE	EFF CODE	QTY PER ASSY
01-281 281A	BAC27TTR0028 BAC27TTR0049		1234567 DELETED ..MARKER-ALUMINUM FOIL- S-1609 (USED ON ITEMS 194, 194A)	B-E,G ,N-X, AN-AZ ,BQ,B S,BV BW,C A-CC, CG-CK ,CQ-C U,DA DC,DE ,DG,D J,DL, DN,DY ,EA EC,EE ,EG,E J,EL, EN,EQ ,ES EU,EV ,EY,E Z	1
-281B	BAC27TTR0049		..MARKER-ALUMINUM FOIL- S-1609 (LIMITED) (USED ON ITEM 194B 194C)	A,K,M ,V,AM ,AY,C Q,DA, DC,DJ DL,DN ,DQ,D S,DU, DW,DY ,EA EC,EE ,FC, FE,FG ,FJ,F M-FQ FW-FZ ,GE, GF,GJ ,GK	1

78-31-41

 ILLUSTRATED PARTS LIST
 01.1 Page 1024H
 Nov 01/03

 **BOEING**
COMPONENT
MAINTENANCE MANUAL

FIG. & ITEM	PART NO.	AIRLINE PART NUMBER	NOMENCLATURE	EFF CODE	QTY PER ASSY
01- -281C	BAC27TTR72		1234567 ..MARKER-ALUMINUM FOIL- S-1609 L.H. S-1610 R.H. (LIMITED) (USED ON ITEM 194B 194C)	A,K,M ,V,AM ,AY,C Q,DA, DC,DJ DL,DN ,DQ,D S,DU, DW,DY ,EA EC,EE ,FC, FE,FG ,FJ,F M-FQ FW-FZ ,GE, GF,GJ ,GK HA,HC	1
-281D	BAC27TTR72		..MARKER-ALUMINUM FOIL- S-1609 L.H. S-1610 R.H. DELETED		1
-284	BAC27TTR0029		..MARKER-WLUMINUM FOIL- S-1610 (USED ON ITEMS 197, 197A)	F,H, Z-AL, BB-BP ,BR,B T BX-BZ ,CD-C F,C L-CP, CV-CZ DB,DD ,DF,D H,DK, DM,DP ,DZ EB,ED ,EF,E H,EK, EM,EP ,ER ET,EW ,EX, FA,FB	1
-284A	BAC27TTR0050				

78-31-41

ILLUSTRATED PARTS LIST
01.1 Page 1024I
Nov 01/03

FIG. & ITEM	PART NO.	AIRLINE PART NUMBER	NOMENCLATURE	EFF CODE	QTY PER ASSY
01- -284B	BAC27TTR0050		1234567 ..MARKER-ALUMINUM FOIL- S-1610 (LIMITED) (USED ON ITEM 197B 197C)	J,L,Y ,AJ, BA,BN ,CZ, DB,DD DK,DM ,DP,D R,DT, DV,DX ,DZ EB,ED ,EF, FD,FF ,FH,F K FS-FV ,GA- GD,GG ,GH,G L,GM	1
-284C	BAC27TTR72		..MARKER-ALUMINUM FOIL- S-1609 L.H. S-1610 R.H. (LIMITED) (USED ON ITEM 197B 197C)	J,L,Y ,AJ, BA,BN ,CZ, DB,DD DK,DM ,DP,D R,DT, DV,DX ,DZ EB,ED ,EF, FD,FF ,FH,F K FS-FV ,GA- GD,GG ,GH,G L,GM	1

78-31-41

 ILLUSTRATED PARTS LIST
 01.1 Page 1024J
 Nov 01/03

BOEING
COMPONENT
MAINTENANCE MANUAL

FIG. & ITEM	PART NO.	AIRLINE PART NUMBER	NOMENCLATURE 1234567	EFF CODE	QTY PER ASSY
01- -284D	BAC27TTR72		..MARKER-ALUMINUM FOIL- S-1609 L.H. S-1610 R.H.	HB,HD	1
287	BAC27TTR0018		..MARKER-ALUMINUM FOIL- ACTR UNLOCK	A-FK, FM-FQ ,FS-G M,HA, HB	1
290 290A	BAC27TTR0026 BAC27TTR0047		DELETED ..MARKER-ALUMINUM FOIL- S-1607 (USED ON ITEMS 194, 194A)	B-E,G ,N-X, AN-AZ ,BQ,B S,BV BW,C A-CC, CG-CK ,CQ-C U,DA DC,DE ,DG,D J,DL, DN,DY ,EA EC,EE ,EG,E J,EL, EN,EQ ,ES EU,EV ,EY,E Z	1

78-31-41

ILLUSTRATED PARTS LIST
01.1 Page 1024K
Nov 01/03

FIG. & ITEM	PART NO.	AIRLINE PART NUMBER	NOMENCLATURE	EFF CODE	QTY PER ASSY
01- -290B	BAC27TTR0047		..MARKER-ALUMINUM FOIL- S-1607 (LIMITED) (USED ON ITEM 194B 194C)	A,K,M ,V,AM ,AY,C Q,DA, DC,DJ DL,DN ,DQ,D S,DU, DW,DY ,EA EC,EE ,FC, FE,FG ,FJ,F M-FQ FW-FZ ,GE, GF,GJ ,GK	1
-290C	BAC27TTR71		..MARKER-ALUMINUM FOIL- S-1607 L.H. S-1608 R.H. (LIMITED) (USED ON ITEM 194B 194C)	A,K,M ,V,AM ,AY,C Q,DA, DC,DJ DL,DN ,DQ,D S,DU, DW,DY ,EA EC,EE ,FC, FE,FG ,FJ,F M-FQ FW-FZ ,GE, GF,GJ ,GK	1
-290D	BAC27TTR71		..MARKER-ALUMINUM FOIL- S-1607 L.H. S-1608 R.H.	HA,HC	1
-293	BAC27TTR0027		DELETED		

78-31-41

 ILLUSTRATED PARTS LIST
 01.1 Page 1024L
 Nov 01/03

BOEING
COMPONENT
MAINTENANCE MANUAL

FIG. & ITEM	PART NO.	AIRLINE PART NUMBER	NOMENCLATURE	EFF CODE	QTY PER ASSY
01- -293A	BAC27TTR0048		1234567 ..MARKER-ALUMINUM FOIL- S-1608 (USED ON ITEMS 197, 197A)	F,H, Z-AL, BB-BP ,BR,B T BX-BZ ,CD-C F,C L-CP, CV-CZ DB,DD ,DF,D H,DK, DM,DP ,DZ EB,ED ,EF,E H,EK, EM,EP ,ER ET,EW ,EX, FA,FB	1
-293B	BAC27TTR0048		..MARKER-ALUMINUM FOIL- S-1608 (LIMITED) (USED ON ITEM 197B 197C)	J,L,Y ,AJ, BA,BN ,CZ, DB,DD DK,DM ,DP,D R,DT, DV,DX ,DZ EB,ED ,EF, FD,FF ,FH,F K FS-FV ,GA- GD,GG ,GH,G L,GM	1

78-31-41

ILLUSTRATED PARTS LIST
01.1 Page 1024M
Nov 01/03

FIG. & ITEM	PART NO.	AIRLINE PART NUMBER	NOMENCLATURE	EFF CODE	QTY PER ASSY
			1234567		
01- -293C	BAC27TTR71		..MARKER-ALUMINUM FOIL- S-1608 (LIMITED) (USED ON ITEM 197B 197C)	J,L,Y ,AJ, BA,BN ,CZ, DB,DD DK,DM ,DP,D R,DT, DV,DX ,DZ EB,ED ,EF, FD,FF ,FH,F K FS-FV ,GA- GD,GG ,GH,G L,GM HB,HD	1
-293D	BAC27TTR71		..MARKER-ALUMINUM FOIL- S-1607 L.H. S-1608 R.H.		1
296	BAC27TTR0016		..MARKER-ALUMINUM FOIL- AUTO RESTOW	A-FK, FM-FQ ,FS-G M,H A-HD	1

78-31-41

 ILLUSTRATED PARTS LIST
 01.1 Page 1024N
 Nov 01/03

 **BOEING**
COMPONENT
MAINTENANCE MANUAL

FIG. & ITEM	PART NO.	AIRLINE PART NUMBER	NOMENCLATURE	EFF CODE	QTY PER ASSY
01- 299 299A	BAC27TTR0030 BAC27TTR0045		1234567 DELETED ..MARKER-ALUMINUM FOIL- S-1604	A-E,G ,K, M-X,A M-AZ, BQ,BS BV,BW ,CA-C C,C G-CK, CQ-CU DA,DC ,DE,D G,DJ, DL,DN ,DQ DS,DU ,DW,D Y,EA, EC,EE ,EG EJ,EL ,EN,E Q,ES, EU,EV ,EY EZ,FC ,FE,F G,FJ, FM-FQ FW-FZ ,GE, GF,GJ ,GK, HA,HC	1

78-31-41

ILLUSTRATED PARTS LIST
01.1 Page 10240
Nov 01/03

FIG. & ITEM	PART NO.	AIRLINE PART NUMBER	NOMENCLATURE	EFF CODE	QTY PER ASSY
01- -302 -302A	BAC27TTR0031 BAC27TTR0046		1234567 DELETED ..MARKER-ALUMINUM FOIL- S-1605	F,H,J ,L, Y-AL, BA-BP ,BR,B T BX-BZ ,CD-C F,C L-CP, CV-CZ DB,DD ,DF,D H,DK, DM,DP ,DR DT,DV ,DX,D Z,EB, ED,EF ,EH EK,EM ,EP,E R,ET, EW,EX ,FA FB,FD ,FF,F G,FJ, FS-FV GA-GD ,GG,G H,GL, GM,HB ,HD	1

78-31-41

 ILLUSTRATED PARTS LIST
 01.1 Page 1024P
 Nov 01/03

 **BOEING**
COMPONENT
MAINTENANCE MANUAL

FIG. & ITEM	PART NO.	AIRLINE PART NUMBER	NOMENCLATURE 1234567	EFF CODE	QTY PER ASSY
01-					
305	BACB30LL4-12		DELETED		
305A	BACB30LH3-7		.BOLT		2
308	315T3556-19		.BUMPER-UPR STOP		1
311	315T3556-15		.BUMPER ASSY-LWR STOP	B-E,G ,P,R, W,A P-AR, AT,AU BQ,BS ,CA,C G,CR, EG,EJ ,EU EV,EY ,EZ	1
-311A	315T3556-21		.BUMPER ASSY-LWR STOP	N,Q,S ,T,AN ,AS,A V,AW, BV,BW CB,CC ,CH-C K,C S-CU, EL,EN EQ,ES	1
-311B	315T3556-25		.BUMPER ASSY-LWR STOP	DA,DC ,DE,D G,DQ, DS,FC ,FE FG,FJ ,FL-F Q,F W-FZ, GE,GF GJ,GK ,GN-G S,GY	1
-311C	315T3556-21		.BUMPER ASSY-LWR STOP (LIMITED)	U,V,X ,AX-A Z	1
-311D	315T3556-25		.BUMPER ASSY-LWR STOP (LIMITED)	U,V,A X,AY	1

78-31-41

ILLUSTRATED PARTS LIST
01.1 Page 1024Q
Nov 01/03

FIG. & ITEM	PART NO.	AIRLINE PART NUMBER	NOMENCLATURE 1234567	EFF CODE	QTY PER ASSY
01- -314	315T3556-16		.BUMPER ASSY-LWR STOP	F,H,A A-AC, AE,AK ,BB-B D,BF BH,BJ ,BR,B T,BX, CD,CL ,CV EH,EK ,EW,E X,FA, FB	1
-314A	315T3556-22		.BUMPER ASSY-LWR STOP	Z,AD, AF,AG ,BE,B G,BK, BL,BY BZ,CE ,CF,C M-CP, CW,CY ,EM EP,ER ,ET	1
-314B	315T3556-26		.BUMPER ASSY-LWR STOP	DB,DD ,DF,D H,DR, DT,FD ,FF FH,FK ,FR-F V,G A-GD, GG,GH GL,GM ,GT-G X,GZ	1

78-31-41

 ILLUSTRATED PARTS LIST
 01.1 Page 1024R
 Nov 01/03

 **BOEING**
COMPONENT
MAINTENANCE MANUAL

FIG. & ITEM	PART NO.	AIRLINE PART NUMBER	NOMENCLATURE 1234567	EFF CODE	QTY PER ASSY
01- -314C	315T3556-22		.BUMPER ASSY-LWR STOP (LIMITED)	AH,AJ ,AL,B M,BN, BP	1
-314D	315T3556-26		.BUMPER ASSY-LWR STOP (LIMITED)	AH,AJ ,AL,B M,BN, BP	1
317 317A	BACB30LL3-12 BACB30LH3-11		ATTACHING PARTS DELETED .BOLT -----*-----		2
320	BACR15BA3AD		..RIVET- (SIZE DETERMINE ON INST)		4
323	BRFM20A3		..NUTPLATE- (V52828) (SPEC BACN10JN3) (OPT MF1000-3BAC (V15653)) (OPT NS103218-02 (V80539)) (OPT RMF9201M3 (V72962)) (OPT VN252A02 (V92215)) (OPT MF1000-3BAC (V15653)) (OPT MF53049-3 (V15653))		2

78-31-41

ILLUSTRATED PARTS LIST
01.1 Page 1024S
Nov 01/03

FIG. & ITEM	PART NO.	AIRLINE PART NUMBER	NOMENCLATURE	EFF CODE	QTY PER ASSY
01-326	315T3556-17		..BUMPER	B-E,G ,P,R, W,A P-AR, AT,AU BQ,BS ,CA,C G,CR, EG,EJ ,EU EV,EY ,EZ	1
-326A	315T3556-23		..BUMPER- (USED ON ITEMS 311A, 311C)	N,Q,S ,T,V, X,AN, AS,AV ,AW AY,AZ ,BV,B W,CB, CC,C H-CK CS-CU ,DA, DC,DE ,DG,E L,EN EQ,ES	1
-326B	315T3556-27		..BUMPER- (USED ON ITEMS 311B, 311D)	U,V,X ,AX-A Z,DA, DC,DE ,DG DQ,DS ,FC, FE,FG ,FJ,F L-FQ FW-FZ ,GE, GF,GJ ,GK,G N-GS GYGS	1

78-31-41

 ILLUSTRATED PARTS LIST
 01.1 Page 1024T
 Nov 01/03

FIG. & ITEM	PART NO.	AIRLINE PART NUMBER	NOMENCLATURE 1234567	EFF CODE	QTY PER ASSY
01- -329	315T3556-18		..BUMPER	F,H,A A-AC, AE,AK ,BB-B D,BF BH,BJ ,BR,B T,BX, CD,CL ,CV EH,EK ,EW,E X,FA, FB,F R-FV GA-GD ,GT-G X	1
-329A	315T3556-24		..BUMPER- (USED ON ITEMS 314A, 314C)	Z,AD, AF-AJ ,AL,B E,BG, BK BL,BM ,BN,B P,BY, BZ,CE ,CF CM-CP ,CW-C Y,DB, DD,DF ,DH EM,EP ,ER,E T	1

78-31-41

ILLUSTRATED PARTS LIST
01.1 Page 1024U
Nov 01/03

FIG. & ITEM	PART NO.	AIRLINE PART NUMBER	NOMENCLATURE 1234567	EFF CODE	QTY PER ASSY
01- -329B	315T3556-28		. .BUMPER- (USED ON ITEMS 314B, 314D)	AH,AJ ,AL,B M,BN, BP,DB ,DD DF,DH ,DR,D T,FD, FF,FH ,FK GG,GH ,GL,G M,GZ	1
332	315T1604-2		.PIN-DEACTIVATION (PRE SB 747-78A2165) (PRE SB 767-78A0080) (PRE SB 767-78A0089)	B,D,F ,H,Q, U,V,Z ,AH,A J,AN AX,AY ,BG,B M,BN, BV,BY ,CB CE,D A-DD	1
-332A	315T1604-2		.PIN-DEACTIVATION (OPT ITEM 332B) (PRE SB 747-78A2165) (PRE SB 767-78A0080) (PRE SB 767-78A0089)	A,J,K ,L,D Q-DT, FC-FK	1
-332B	315T1604-5		.PIN-DEACTIVATION (OPT ITEM 332A) (PRE SB 747-78A2165) (PRE SB 767-78A0080) (PRE SB 767-78A0089)	A,J,K ,L,D Q-DT, FC-FK	1
-332C	315T1604-6		.PIN-DEACTIVATION	FL-GZ	1

78-31-41

 ILLUSTRATED PARTS LIST
 01.1 Page 1024V
 Nov 01/03

 **BOEING**
COMPONENT
MAINTENANCE MANUAL

FIG. & ITEM	PART NO.	AIRLINE PART NUMBER	NOMENCLATURE	EFF CODE	QTY PER ASSY
01-332D	315T1604-6		1234567 .PIN-DEACTIVATION (POST SB 747-78A2165) (POST SB 767-78A0080) (POST SB 767-78A0089)	A,B,D ,F, H-L,Q ,U,V, Z,AH, AJ AN,AX ,AY,B G,BM, BN,BV ,BY CB,CE ,DA-D D,D Q-DT, FC-FK	1

78-31-41

ILLUSTRATED PARTS LIST
01.1 Page 1024W
Nov 01/03

FIG. & ITEM	PART NO.	AIRLINE PART NUMBER	NOMENCLATURE	EFF CODE	QTY PER ASSY
01-335	315T3605-1		.ROD INSTL-HOLD OPEN	A-E,G ,K, M-X,A R-AZ, BQ,BS BU-BW ,CA-C C,C G-CK, CQ-CU DA,DC ,DE,D G,DJ, DL,DN ,DQ DS,DU ,DW,D Y,EA, EC,EE ,EG EJ,EL ,EN,E Q,ES, EU,EV ,EY EZ,FC ,FE,F G,FJ, FM-FQ FW-FZ ,GE, GF,GJ ,GK	1

78-31-41

 ILLUSTRATED PARTS LIST
 01.1 Page 1024X
 Nov 01/03

 **BOEING**
COMPONENT
MAINTENANCE MANUAL

FIG. & ITEM	PART NO.	AIRLINE PART NUMBER	NOMENCLATURE	EFF CODE	QTY PER ASSY
01-338	315T3605-2		1234567 .ROD INSTL-HOLD OPEN	F,H,J ,L, Y-AL, BA-BP ,BR,B T BX-BZ ,CD-C G,C L-CP, CV-CZ DB,DD ,DF,D H,DK, DM,DP ,DR DT,DV ,DX,D Z,EB, ED,EF ,EH EK,EM ,EP,E R,ET, EW,EX ,FA FB,FD ,FF,F H,FK, FS-FV GA-GD ,GG,G H,GL, GM	1

78-31-41

ILLUSTRATED PARTS LIST
01.1 Page 1024Y
Nov 01/03

FIG. & ITEM	PART NO.	AIRLINE PART NUMBER	NOMENCLATURE 1234567	EFF CODE	QTY PER ASSY
01-341	315T3605-7001		...COLLECTOR-COMMON PARTS	A-FK, FM-FQ ,FS-G M	1
344	BACB30LJ5-18		...BOLT	A-FK, FM-FQ ,FS-G M	1
347	BACB28X7M020		...BUSHING	A-FK, FM-FQ ,FS-G M	1
350	BACB28AK05-036		...BUSHING	A-FK, FM-FQ ,FS-G M	1
353	NAS577-5A		...NUT	A-FK, FM-FQ ,FS-G M	1
356	NAS578-5A		...RETAINER	A-FK, FM-FQ ,FS-G M	1
359	BACB30LM4-4		...BOLT	A-FK, FM-FQ ,FS-G M	2
362	RC1108		...RECEIVER- (V08844) (SPEC S314T220-3)	A-FK, FM-FQ ,FS-G M	1

78-31-41

 ILLUSTRATED PARTS LIST
 01.1 Page 1024Z
 Nov 01/03

 **BOEING**
COMPONENT
MAINTENANCE MANUAL

FIG. & ITEM	PART NO.	AIRLINE PART NUMBER	NOMENCLATURE 1234567	EFF CODE	QTY PER ASSY
01-365	315T3605-4		...FILLER-RADIUS (MFD FROM SHEET AL 2024-T3 QQ-A-25/4 F-18.13 0.125 IN. 0.70 IN. 1.20 IN.)	A-FK, FM-FQ ,FS-G M	2
-368	315T3605-5001		..COLLECTOR-LIMITED PARTS	A-FK, FM-FQ ,FS-G M	1
-368A	315T3605-5002		..COLLECTOR-LIMITED PARTS (REWORK)	A-FK, FM-FQ ,FS-G M	1
-368B	315T3605-5003		..COLLECTOR-LIMITED PARTS	A-FK, FM-FQ ,FS-G M	1
371	A2724-3		...STRUT ASSY-THRUST REVERSER DOOR (V08844) (SPEC S315T366-2) (USED ON ITEM 368)	A-FK, FM-FQ ,FS-G M	1
-371A	S315T366-5		DELETED		
-371B	315T3159-1		...ROD ASSY-HOLD OPEN (REWORK) (USED ON ITEM 368A) (FOR DETAILS SEE FIG. 2)	A-FK, FM-FQ ,FS-G M	1
-371C	A6501-1		DELETED		
-371E	A6501-2		DELETED		
-371F	S315T366-9		DELETED		
-371G	A6501-3		...STRUT ASSY- (V08844) (SPEC S315T366-9) (USED ON ITEM 368B)	A-FK, FM-FQ ,FS-G M	1

78-31-41

ILLUSTRATED PARTS LIST
01.1 Page 1025
Nov 01/03

FIG. & ITEM	PART NO.	AIRLINE PART NUMBER	NOMENCLATURE	EFF CODE	QTY PER ASSY
01-374	315T3602-15		.ACTUATOR AND TUBING INSTL- (FOR DETAILS SEE FIG. 3)	B-E,G ,N-T, V-X,A N-AU, AW-AZ BQ,BS ,BU-B W,C A-CC, CG-CK CQ-CU ,DA, DC,DE ,DG,D J,DL DN,DQ ,DS,D Y,EA, EC,EE ,EG EJ,EL ,EN,E Q,ES, EU,EV ,EY EZY	1
-374A	315T3602-17		.ACTUATOR AND TUBING INSTL- (FOR DETAILS SEE FIG. 3)	A,K, FC,FE ,FG,F J,F M-FQ FW-FZ ,GE, GF,GJ ,GK	1

78-31-41

 ILLUSTRATED PARTS LIST
 01.1 Page 1026
 Nov 01/03

 **BOEING**
COMPONENT
MAINTENANCE MANUAL

FIG. & ITEM	PART NO.	AIRLINE PART NUMBER	NOMENCLATURE	EFF CODE	QTY PER ASSY
			1234567		
01-					
-374B	315T3602-5023		DELETED		
-374C	315T3602-5025		DELETED		
-374D	315T3602-5027		DELETED		
-374E	315T3602-5031		DELETED		
-374F	315T3602-5035		DELETED		
-377	315T3602-14		DELETED		
-377A	315T3602-16		.ACTUATOR AND TUBING INSTL- (FOR DETAILS SEE FIG. 3)	F,H,Z ,AA-A L,B B-BP, BR,BT BX-BZ ,CD,C E,C L-CP, CV-CZ DB,DD ,DF,D H,DK, DM,DR ,DT DZ,EB ,ED,E F,EH, EK,EM ,EP ER,ET ,EW,E X,FA, FB	1

78-31-41

ILLUSTRATED PARTS LIST
01.1 Page 1026A
Nov 01/03

FIG. & ITEM	PART NO.	AIRLINE PART NUMBER	NOMENCLATURE	EFF CODE	QTY PER ASSY
			1234567		
01- -377B	315T3602-18		.ACTUATOR AND TUBING INSTL- (FOR DETAILS SEE FIG. 3)	J,L, FD,FF ,FH,F K,F S-FV GA-GD ,GG,G H,GL, GM	1
-377C	315T3602-5024		DELETED		
-377D	315T3602-5026		DELETED		
-377E	315T3602-5028		DELETED		
-377F	315T3602-5032		DELETED		
378	315T3208-4		.LATCH INSTL-VEE GROOVE	Z,AA, AD,AE ,AG-A J,AL, BB BE,BG ,BJ,B L-BP, BX-BZ ,CD CE,C L-CP, CV-CZ ,DB,D D,DF DH,DK ,DP,D Z,EB, ED,EF ,EM EP,ER ,ET	1

78-31-41

 ILLUSTRATED PARTS LIST
 01.1 Page 1026B
 Nov 01/03

BOEING
COMPONENT
MAINTENANCE MANUAL

FIG. & ITEM	PART NO.	AIRLINE PART NUMBER	NOMENCLATURE	EFF CODE	QTY PER ASSY
01-378J	NAS6703-3		1234567 ..BOLT	Z,AA, AD,AE ,AG-A J,AL, BB BE,BG ,BJ,B L-BP, BX-BZ ,CD CE,C L-CP, CV-CZ ,DB,D D,DF DH,DK ,DP,D Z,EB, ED,EF ,EM EP,ER ,ET	12
378M	AN960C10L		..WASHER	Z,AA, AD,AE ,AG-A J,AL, BB BE,BG ,BJ,B L-BP, BX-BZ ,CD CE,C L-CP, CV-CZ ,DB,D D,DF DH,DK ,DP,D Z,EB, ED,EF ,EM EP,ER ,ET	12

78-31-41

ILLUSTRATED PARTS LIST
01.1 Page 1026C
Nov 01/03

FIG. & ITEM	PART NO.	AIRLINE PART NUMBER	NOMENCLATURE 1234567	EFF CODE	QTY PER ASSY
01-378R	315T3251-1		..RETAINER-BAND	Z,AA, AD,AE ,AG-A J,AL, BB BE,BG ,BJ,B L-BP, BX-BZ ,CD CE,C L-CP, CV-CZ ,DB,D D,DF DH,EB ,ED,E F	12
-378S	315T3251-2		..BRACKET ASSY-BAND	CZ,DK ,DM,D P,EM, EP,ER ,ET	12
379	315T3250-6		..BAND ASSY-LATCH	Z,AA, AD,AE ,AG-A J,AL, BB BE,BG ,BJ,B L-BP, BX-BZ ,CD CE,C L-CP, CV-CZ ,DB,D D,DF DH,DK ,DP,D Z,EB, ED,EF ,EM EP,ER ,ET	1

78-31-41

 ILLUSTRATED PARTS LIST
 01.1 Page 1026D
 Nov 01/03

BOEING
COMPONENT
MAINTENANCE MANUAL

FIG. & ITEM	PART NO.	AIRLINE PART NUMBER	NOMENCLATURE 1234567	EFF CODE	QTY PER ASSY
01-379C	HL441UC5-4		...BOLT- (V97928) (SPEC BACB30FN5A4) (OPT HL441UC5-4 (V73197)) (OPT HL441UC5-4 (V92215)) (OPT HL41PY5-4 (V80539)) (OPT HL441N5-4 (V80539)) (OPT HL441UC5-4 (V80539)) (OPT 67068-5A4 (V56878)) (OPT HL441UC5-4 (V08524)) (OPT HL19-5A4 (V06725)) (OPT L839-5A4 (V06725)) (OPT HL441UC5-4 (V56878))	Z,AA, AD,AE ,AG-A J,AL, BB BE,BG ,BJ,B L-BP, BX-BZ ,CD CE,C L-CP, CV-CZ ,DB,D D,DF DH,DK ,DP,D Z,EB, ED,EF ,EM EP,ER ,ET	6
379G	AN960-8L		...WASHER	Z,AA, AD,AE ,AG-A J,AL, BB BE,BG ,BJ,B L-BP, BX-BZ ,CD CE,C L-CP, CV-CZ ,DB,D D,DF DH,DK ,DP,D Z,EB, ED,EF ,EM EP,ER ,ET	6

78-31-41

ILLUSTRATED PARTS LIST
01.1 Page 1026E
Nov 01/03

FIG. & ITEM	PART NO.	AIRLINE PART NUMBER	NOMENCLATURE	EFF CODE	QTY PER ASSY
01-379K	HL79-5		1234567 ...COLLAR- (V5M902) (SPEC BACC30M5) (OPT HL70-5 (V73197)) (OPT HL70-5 (V92215)) (OPT 66014-5 (V56878)) (OPT HL70-5 (V56878))	Z,AA, AD,AE ,AG-A J,AL, BB BE,BG ,BJ,B L-BP, BX-BZ ,CD CE,C L-CP, CV-CZ ,DB,D D,DF DH,DK ,DP,D Z,EB, ED,EF ,EM EP,ER ,ET	6
379N	315T3252-2		...FITTING	Z,AA, AD,AE ,AG-A J,AL, BB BE,BG ,BJ,B L-BP, BX-BZ ,CD CE,C L-CP, CV-CZ ,DB,D D,DF DH,DK ,DP,D Z,EB, ED,EF ,EM EP,ER ,ET	1

78-31-41

 ILLUSTRATED PARTS LIST
 01.1 Page 1026F
 Nov 01/03

BOEING
COMPONENT
MAINTENANCE MANUAL

FIG. & ITEM	PART NO.	AIRLINE PART NUMBER	NOMENCLATURE	EFF CODE	QTY PER ASSY
01-379Q	NAS1200-6-8		1234567 ...RIVET	Z,AA, AD,AE ,AG-A J,AL, BB BE,BG ,BJ,B L-BP, BX-BZ ,CD CE,C L-CP, CV-CZ ,DB,D D,DF DH,DK ,DP,D Z,EB, ED,EF ,EM EP,ER ,ET	8
379U	H2865-17		...RECEIVER- (V83014) (SPEC S315T101-4) (OPT H2865-19 (V83014))	Z,AA, AD,AE ,AG-A J,AL, BB BE,BG ,BJ,B L-BP, BX-BZ ,CD CE,C L-CP, CV-CZ ,DB,D D,DF DH,DK ,DP,D Z,EB, ED,EF ,EM EP,ER ,ET	1

78-31-41

ILLUSTRATED PARTS LIST
01.1 Page 1026G
Nov 01/03

FIG. & ITEM	PART NO.	AIRLINE PART NUMBER	NOMENCLATURE	EFF CODE	QTY PER ASSY
01- -379V	H2865-19		1234567 ...RECEIVER- (V83014) (SPEC S315T101-4) (OPT H2865-17 (V83014))	Z,AA, AD,AE ,AG-A J,AL, BB BE,BG ,BJ,B L-BP, BX-BZ ,CD CE,C L-CP, CV-CZ ,DB,D D,DF DH,DK ,DP,D Z,EB, ED,EF ,EM EP,ER ,ET	1
379X	315T3250-4		...BAND	Z,AA, AD,AE ,AG-A J,AL, BB BE,BG ,BJ,B L-BP, BX-BZ ,CD CE,C L-CP, CV-CZ ,DB,D D,DF DH,DK ,DP,D Z,EB, ED,EF ,EM EP,ER ,ET	1

78-31-41

 ILLUSTRATED PARTS LIST
 01.1 Page 1026H
 Nov 01/03

 **BOEING**
COMPONENT
MAINTENANCE MANUAL

FIG. & ITEM	PART NO.	AIRLINE PART NUMBER	NOMENCLATURE 1234567	EFF CODE	QTY PER ASSY
01- -380	315T3208-1		.LATCH INSTL-VEE GROOVE	B-E,G ,N, Q-X,A N-AZ, BQ,BS BU-BW ,CA-C C,C G-CK, CQ-CU DA,DC ,DE,D G,EA, EC,EE ,EG EJ,EL ,EN,E Q,ES, EU,EV ,EY EZY	1
-380A	315T3208-5		.LATCH INSTL-VEE GROOVE (FOR DETAILS SEE FIG. 8)	FC,FE ,FG,F J,GE, GF,GJ ,GK	1
-380B	315T3208-7		.LATCH INSTL-VEE GROOVE (FOR DETAILS SEE FIG. 8)	DQ,DS	1
-383	315T3208-2		.LATCH INSTL-VEE GROOVE	F,H,A B,AC, AK,BC ,BD,B H,BR BT,EH ,EK,E W,EX, FA,FB	1

78-31-41

ILLUSTRATED PARTS LIST
01.1 Page 1026I
Nov 01/03

FIG. & ITEM	PART NO.	AIRLINE PART NUMBER	NOMENCLATURE 1234567	EFF CODE	QTY PER ASSY
01- -383A	315T3208-8		.LATCH INSTL-VEE GROVE (FOR DETAILS SEE FIG. 8)	DR,DT	1
-383B	315T3208-6		.LATCH INSTL-VEE GROVE (FOR DETAILS SEE FIG. 8)	FD,FF ,FH,F K,GG, GH,GL ,GM	1
-386	315T3208-5001		..LATCH INSTL- (REPLD BY ITEM 386A)	B-E,G ,N, Q-X,A N-AZ, BQ,BS BU-BW ,CA-C C,C G-CK, CQ-CU DA,DC ,DE,D G,EA, EC,EE ,EG EJ,EL ,EN,E Q,ES, EU,EV ,EY EZY	1

78-31-41

 ILLUSTRATED PARTS LIST
 01.1 Page 1026J
 Nov 01/03

FIG. & ITEM	PART NO.	AIRLINE PART NUMBER	NOMENCLATURE 1234567	EFF CODE	QTY PER ASSY
01- -386A	315T3208-5003		..LATCH INSTL- (REPLS ITEM 386)	B-E,G ,N, Q-X,A N-AZ, BQ,BS BU-BW ,CA-C C,C G-CK, CQ-CU DA,DC ,DE,D G,EA, EC,EE ,EG EJ,EL ,EN,E Q,ES, EU,EV ,EY EZY	1
-389	315T3208-5002		..LATCH INSTL- (REPLD BY ITEM 389A)	F,H,A B,AC, AK,BC ,BD,B H,BR BT,EH ,EK,E W,EX, FA,FB	1
-389A	315T3208-5004		..LATCH INSTL- (REPLS ITEM 389)	F,H,A B,AC, AK,BC ,BD,B H,BR BT,EH ,EK,E W,EX, FA,FB	1

78-31-41

ILLUSTRATED PARTS LIST
01.1 Page 1026K
Nov 01/03

FIG. & ITEM	PART NO.	AIRLINE PART NUMBER	NOMENCLATURE	EFF CODE	QTY PER ASSY
01-392	NAS6703-3		...BOLT	B-H,N ,Q-X, AB,AC ,AK,A N-AZ BC,BD ,BH,B Q-BW, CA-CC CG-CK ,CQ-C U,DA, DC,DE ,DG EA,EC ,EE,E G-EL, EN,EQ ,ES EU-FB	11
395	AN960C10L		...WASHER	B-H,N ,Q-X, AB,AC ,AK,A N-AZ BC,BD ,BH,B Q-BW, CA-CC CG-CK ,CQ-C U,DA, DC,DE ,DG EA,EC ,EE,E G,EJ, EL,EN ,EQ ES,EU ,EV,E Y,EZ	11

78-31-41

 ILLUSTRATED PARTS LIST
 01.1 Page 1026L
 Nov 01/03

 **BOEING**
COMPONENT
MAINTENANCE MANUAL

FIG. & ITEM	PART NO.	AIRLINE PART NUMBER	NOMENCLATURE 1234567	EFF CODE	QTY PER ASSY
01-398	315T3251-1		...RETAINER-BAND	B-H,N ,Q-X, AB,AC ,AK,A N-AZ BC,BD ,BH,B Q-BW, CA-CC CG-CK ,CR-C U,DA, DC,DE ,DG EA,EC ,EE	11
-398A	315T3251-2		...BRACKET ASSY-BAND	CQ,DJ ,DL,D N,E G-EL, EN,EQ ES,EQ U-FB	11
401	315T3250-1		...BAND ASSY-LATCH (USED ON ITEM 386)	B-E,G ,N, Q-X,A N-AZ, BQ,BS BU-BW ,CA-C C,C G-CK, CQ-CU DA,DC ,DE,D G,EA, EC,EE ,EG EJ,EL ,EN,E Q,ES, EU,EV ,EY EZY	1

78-31-41

ILLUSTRATED PARTS LIST
01.1 Page 1026M
Nov 01/03

FIG. & ITEM	PART NO.	AIRLINE PART NUMBER	NOMENCLATURE 1234567	EFF CODE	QTY PER ASSY
01- -401A	315T3250-5		...BAND ASSY-LATCH (USED ON ITEM 386A)	B-E,G ,N, Q-X,A N-AZ, BQ,BS BU-BW ,CA-C C,C G-CK, CQ-CU DA,DC ,DE,D G,EA, EC,EE ,EG EJ,EL ,EN,E Q,ES, EU,EV ,EY EZY	1
-404	315T3250-2		...BAND ASSY-LATCH (USED ON ITEM 389)	F,H,A B,AC, AK,BC ,BD,B H,BR BT,EH ,EK,E W,EX, FA,FB	1

78-31-41

 ILLUSTRATED PARTS LIST
 01.1 Page 1026N
 Nov 01/03

 **BOEING**
COMPONENT
MAINTENANCE MANUAL

FIG. & ITEM	PART NO.	AIRLINE PART NUMBER	NOMENCLATURE	EFF CODE	QTY PER ASSY
01-404A	315T3250-6		1234567 ...BAND ASSY-LATCH (USED ON ITEM 389A)	F,H,A B,AC, AK,BC ,BD,B H,BR BT,EH ,EK,E W,EX, FA,FB	1
407	HL441UC5-4	BOLT- (V97928) (SPEC BACB30FN5A4) (OPT HL441UC5-4 (V73197)) (OPT HL441UC5-4 (V92215)) (OPT HL41PY5-4 (V80539)) (OPT HL441N5-4 (V80539)) (OPT HL441UC5-4 (V80539)) (OPT 67068-5A4 (V56878)) (OPT HL441UC5-4 (V08524)) (OPT HL19-5A4 (V06725)) (OPT L839-5A4 (V06725)) (OPT HL441UC5-4 (V56878))	B-H,N ,Q-X, AB,AC ,AK,A N-AZ BC,BD ,BH,B Q-BW, CA-CC CG-CK ,CQ-C U,DA, DC,DE ,DG EA,EC ,EE,E G-EL, EN,EQ ,ES EU-FB	6

78-31-41

ILLUSTRATED PARTS LIST
01.1 Page 10260
Nov 01/03

FIG. & ITEM	PART NO.	AIRLINE PART NUMBER	NOMENCLATURE 1234567	EFF CODE	QTY PER ASSY
01-410	AN960-8L	WASHER	B-H,N ,Q-X, AB,AC ,AK,A N-AZ BC,BD ,BH,B Q-BW, CA-CC CG-CK ,CQ-C U,DA, DC,DE ,DG EA,EC ,EE,E G-EL, EN,EQ ,ES EU-FB	6
413	HL79-5	COLLAR- (V5M902) (SPEC BACC30M5) (OPT HL70-5 (V73197)) (OPT HL70-5 (V92215)) (OPT 66014-5 (V56878)) (OPT HL70-5 (V56878))	B-H,N ,Q-X, AB,AC ,AK,A N-AZ BC,BD ,BH,B Q-BW, CA-CC CG-CK ,CQ-C U,DA, DC,DE ,DG EA,EC ,EE,E G-EL, EN,EQ ,ES EU-FB	6

78-31-41

 ILLUSTRATED PARTS LIST
 01.1 Page 1026P
 Nov 01/03

BOEING
COMPONENT
MAINTENANCE MANUAL

FIG. & ITEM	PART NO.	AIRLINE PART NUMBER	NOMENCLATURE	EFF CODE	QTY PER ASSY
01-416	315T3252-1		1234567FITTING- (USED ON ITEMS 401, 404)	B-H,N ,Q-X, AB,AC ,AK,A N-AZ BC,BD ,BH,B Q-BW, CA-CC CG-CK ,CQ-C U,DA, DC,DE ,DG EA,EC ,EE,E G-EL, EN,EQ ,ES EU-FB	1
-416A	315T3252-2	FITTING- (USED ON ITEMS 401A, 404A)	B-H,N ,Q-X, AB,AC ,AK,A N-AZ BC,BD ,BH,B Q-BW, CA-CC CG-CK ,CQ-C U,DA, DC,DE ,DG EA,EC ,EE,E G-EL, EN,EQ ,ES EU-FB	1

78-31-41

ILLUSTRATED PARTS LIST
01.1 Page 1026Q
Nov 01/03

FIG. & ITEM	PART NO.	AIRLINE PART NUMBER	NOMENCLATURE	EFF CODE	QTY PER ASSY
01-419 419A	NAS1200-6 NAS1200-6-8		1234567 DELETEDRIVET	B-H,N ,Q-X, AB,AC ,AK,A N-AZ BC,BD ,BH,B Q-BW, CA-CC CG-CK ,CQ-C U,DA, DC,DE ,DG EA,EC ,EE,E G-EL, EN,EQ ,ES EU-FB	8
422	H2626-35	RECEIVER- (V83014) (SPEC S315T101-2)	B-E,G ,N, Q-X,A N-AZ, BQ,BS BU-BW ,CA-C C,C G-CK, CQ-CU DA,DC ,DE,D G,EA, EC,EE ,EG EJ,EL ,EN,E Q,ES, EU,EV ,EY EZY	1

78-31-41

 ILLUSTRATED PARTS LIST
 01.1 Page 1026R
 Nov 01/03

BOEING
COMPONENT
MAINTENANCE MANUAL

FIG. & ITEM	PART NO.	AIRLINE PART NUMBER	NOMENCLATURE 1234567	EFF CODE	QTY PER ASSY
01- -425 -425A	H2626-17 H2865-17		DELETEDRECEIVER- (V83014) (SPEC S315T101-4) (OPT H2865-19 (V83014))	F,H,A B,AC, AK,BC ,BD,B H,BR BT,EH ,EK,E W,EX, FA,FB	1
-425B	H2865-19	RECEIVER- (V83014) (SPEC S315T101-4) (OPT H2865-17 (V83014))	F,H,A B,AC, AK,BC ,BD,B H,BR BT,EH ,EK,E W,EX, FA,FB	1
428	315T3250-3	BAND	B-E,G ,N, Q-X,A N-AZ, BQ-BS BU-BW ,CA-C C,C G-CK, CQ-CU DA,DC ,DE,D G,EA, EC,EE ,EG EJ,EL ,EN,E Q,ES, EU,EV ,EY EZY	1

78-31-41

ILLUSTRATED PARTS LIST
01.1 Page 1026S
Nov 01/03

FIG. & ITEM	PART NO.	AIRLINE PART NUMBER	NOMENCLATURE	EFF CODE	QTY PER ASSY
01-431	315T3250-4		1234567BAND	F,H,A B,AC, AK,BC ,BD,B H,BR BT,EH ,EK,E W,EX, FA,FB	1
433 434	MS244665-151 315T3539-1		.PIN .PIN-DRAG LINK	B-G,P ,R,W, AA-AC ,AE,A K AP-AR ,AT,A U,B B-BE, BH,BJ BR-BU ,BW,B X,BZ, CA,CC ,CD CG,CH ,CL,C M,CR, CS,CV EG-EK ,EP,E W-FB	6 6

78-31-41

 ILLUSTRATED PARTS LIST
 01.1 Page 1026T
 Nov 01/03

BOEING
COMPONENT
MAINTENANCE MANUAL

FIG. & ITEM	PART NO.	AIRLINE PART NUMBER	NOMENCLATURE 1234567	EFF CODE	QTY PER ASSY
01- -434A	315T3539-1		.PIN-DRAG LINK (LIMITED)	N,Q,T ,AD,A G,AN, AS,AW ,BG BN,BP ,EL-E N,E Q-ES	6
437	BACS12BP3AP9		.SCREW	B-G,P ,R,W, AA-AC ,AE,A K AP-AR ,AT,A U,B B-BE, BH,BJ BR-BU ,BW,B X,BZ, CA,CC ,CD CG,CH ,CL,C M,CR, CS,CV EG-EK ,EP,E W-FB	6
-437A	BACS12BP3AP9		.SCREW- (LIMITED)	N,Q,T ,Z,AD ,AG,A N,AS, AW,BG BN,BP ,EL-E N,E Q-ES	6
437B -437C	BACB30NR4DK21 BACB30NR4DK21		DELETED DELETED		

78-31-41

ILLUSTRATED PARTS LIST
01.1 Page 1026U
Nov 01/03

FIG. & ITEM	PART NO.	AIRLINE PART NUMBER	NOMENCLATURE 1234567	EFF CODE	QTY PER ASSY
01-438	BACB30NR4DK21		.BOLT- (LIMITED)	N,Q,T ,Z,AD ,AG,A N,AS, AW,BG BN,BP ,EL-E N,E Q-ES	6
-438A	BACB30NR4DK21		.BOLT	A,J-M ,S,U, V,X,Y ,AF,A H,AJ AL,AM ,AV,A X-BA, BK,BM ,BV BY,CB ,CE,C J,CK, CN-CQ ,CT CU,C X-EF, FC-GZ	6

78-31-41

 ILLUSTRATED PARTS LIST
 01.1 Page 1026V
 Nov 01/03

FIG. & ITEM	PART NO.	AIRLINE PART NUMBER	NOMENCLATURE 1234567	EFF CODE	QTY PER ASSY
01-440	315T3539-3		.WASHER-DRAG LINK	B-G,P ,R,W, AA-AC ,AE,A K AP-AR ,AT,A U,B B-BE, BH,BJ BR-BU ,BW,B X,BZ, CA,CC ,CD CG,CH ,CL,C M,CR, CS,CV EG-EK ,EP,E W-FB	6
-440A	315T3539-3		.WASHER-DRAG LINK (LIMITED)	N,Q,T ,Z,AD ,AG,A N,AS, AW,BG BN,BP ,EL-E N,E Q-ES	6

78-31-41

ILLUSTRATED PARTS LIST
01.1 Page 1026W
Nov 01/03

FIG. & ITEM	PART NO.	AIRLINE PART NUMBER	NOMENCLATURE	EFF CODE	QTY PER ASSY
01-441	BACW10P186C		.WASHER	A, J-M , S, U, V, X, Y , AF, A H, AJ AL, AM , AV, A X-BA, BK, BM , BV BY, CB , CE, C J, CK, CN-CQ , CT CU, C X-EF, FC-GM	6
442	BACN10JD4AU		.NUT	A, J-M , S, U, V, X, Y , AF, A H, AJ AL, AM , AV, A X-BA, BK, BM , BV BY, CB , CE, C J, CK, CN-CQ , CT CU, C X-EF, FC-GM	6

78-31-41

 ILLUSTRATED PARTS LIST
 01.1 Page 1026X
 Nov 01/03

 **BOEING**
COMPONENT
MAINTENANCE MANUAL

FIG. & ITEM	PART NO.	AIRLINE PART NUMBER	NOMENCLATURE	EFF CODE	QTY PER ASSY
01-443	315T3001-13		1234567 .SHIM	C,R,U ,AA,A E,AH, AK,AP ,AU AX,BM ,BU-C C,CE, CG-CP CR-CY ,DA-D D,D Q-EF, FC-FL FP-FR ,FU,F V,FY, FZ,G C-GZ	12
-443A	315T3001-13		.SHIM- (ITEM 452A TRIMMED TO CONTOUR OF ITEM 455 OPT ITEM 443A)	A,B, D-Q,T ,V-Z, AB-AD ,AG AJ-AN ,AQ-A T,AW, AZ-BE BG-BJ ,BN-B T,CD, CQ,CZ DJ-DP ,EG-E S,E U-FB, FM,FN FS,FT ,FW,F X,GA, GB	12

78-31-41

ILLUSTRATED PARTS LIST
01.1 Page 1026Y
Nov 01/03

FIG. & ITEM	PART NO.	AIRLINE PART NUMBER	NOMENCLATURE 1234567	EFF CODE	QTY PER ASSY
01-446	HL13VAZ8-22		.BOLT- (V56878) (SPEC BACB30NY8K22) (OPT HL13VAZ8-22 (V73197)) (OPT HL13VAZ8-22 (V92215)) (OPT HL13VAZ8-22 (V97928)) (OPT L801-8K22 (V06725)) (OPT HL13VAZ8-22 (V08524)) (OPT HL13V22 (V06725)) (OPT HL13VAZ8-22 (V17446))		24
449	HL79-8		.COLLAR- (V5M902) (SPEC BACC30M8) (OPT HL79-8 (V73197)) (OPT HL79-8 (V92215)) (OPT 66014-8 (V56878)) (OPT HL79-8 (V56878))		24

78-31-41

 ILLUSTRATED PARTS LIST
 01.1 Page 1026Z
 Nov 01/03

 **BOEING**
COMPONENT
MAINTENANCE MANUAL

FIG. & ITEM	PART NO.	AIRLINE PART NUMBER	NOMENCLATURE	EFF CODE	QTY PER ASSY
01- 452 452A	BACS40R13D52F BACS40R13D52F		1234567 DELETED .SHIM- (ITEM 452A TRIMMED TO CONTOUR OF ITEM 455 OPT ITEM 443A)	A,B, D-Q,T ,V-Z, AB-AD ,AG AJ-AN ,AQ-A T,AW, AZ-BE BG-BJ ,BN-B T,CD, CQ,CZ DJ-DP ,EG-E S,E U-FB, FM,FN FS,FT ,FW,F X,GA, GB	6

78-31-41

ILLUSTRATED PARTS LIST
01.1 Page 1027
Nov 01/03

FIG. & ITEM	PART NO.	AIRLINE PART NUMBER	NOMENCLATURE 1234567	EFF CODE	QTY PER ASSY
01-455	315T3102-1		.FITTING ASSY-HINGE	B-H,P ,R,U, W,A A-AE, AK AP-AU ,AZ,B B-BE, BH,BJ BP-BT ,BW,B X,BZ, CA,CC ,CD CG,CH ,CL,C M,CR, CS,CV ,CW EG-EK ,EM-E P,E U-FB	6
-455A	315T3102-1		.FITTING ASSY-HINGE (REPLD BY ITEM 455B)	N,T,A G,AW, BL,EL ,EQ-E T	6
-455B	315T3102-6		.FITTING ASSY-HINGE (REPLS ITEM 455A)	N,T,A G,AW, BL,EL ,EQ-E T	6

78-31-41

 ILLUSTRATED PARTS LIST
 01.1 Page 1028
 Nov 01/03

 **BOEING**
COMPONENT
MAINTENANCE MANUAL

FIG. & ITEM	PART NO.	AIRLINE PART NUMBER	NOMENCLATURE	EFF CODE	QTY PER ASSY
01-455C	315T3102-6		.FITTING ASSY-HINGE	S,V,X ,AF,A J,AL, AV,AY ,BK BN,CJ ,CK,C N,CP, CT,CU ,CX CY,D A-DH, DQ-DT ,FC-G Z	6
458	315T3517-1		..BUSHING- (USED ON ITEMS 455, 455A)	B-H, P-R,T ,U, Z-AE, AG,AK AN-AU ,AW,A Z,B B-BE, BG-BJ BL,BJ P-BT, BW,BX ,BZ, CA,CC CD,CG ,CH,C L,CM, CR,CS ,CV CW,E G-FB	2

78-31-41

ILLUSTRATED PARTS LIST
01.1 Page 1028A
Nov 01/03

FIG. & ITEM	PART NO.	AIRLINE PART NUMBER	NOMENCLATURE	EFF CODE	QTY PER ASSY
01- -458A 459	315T3517-5 315T3517-5		1234567 DELETED ..BUSHING- (USED ON ITEMS 455B, 455C)	N,S,T ,V,X, AF,AG ,AJ,A L,AV AW,AY ,BA,B L,BN, CJ,CK ,CN CP,CT ,CU,C X,CY, DA-DH DQ-DT ,EQ-E T,F C-GZ	2
461 464	315T3102-2 315T4500-1		..FITTING .SLEEVE ASSY- (PRE SB 747-78A2165) (PRE SB 767-78A0080) (PRE SB 767-78A0089) (REF CMM 78-31-45)	G,N,T ,AR,A S,AW, AZ,BQ ,BS CG,CH ,CJ,C R-CT, EG,EJ ,EL EN,EQ ,ES,E U,EV, EY,EZ	1 1

78-31-41

 ILLUSTRATED PARTS LIST
 01.1 Page 1028B
 Nov 01/03



BOEING
COMPONENT
MAINTENANCE MANUAL

FIG. & ITEM	PART NO.	AIRLINE PART NUMBER	NOMENCLATURE 1234567	EFF CODE	QTY PER ASSY
01- -464A	315T4500-1		. SLEEVE ASSY- (LIMITED) (PRE SB 747-78A2165) (PRE SB 767-78A0080) (PRE SB 767-78A0089) (REF CMM 78-31-45)	V,X,A Y,CK, CU	1
-464B	315T4500-7		. SLEEVE ASSY- (LIMITED) (PRE SB 747-78A2165) (PRE SB 767-78A0080) (PRE SB 767-78A0089) (REF CMM 78-31-45)	U,V,X ,AX,A Y,CK, CQ,CU ,DJ DL,DN	1
-464C	315T4500-9		. SLEEVE ASSY- (LIMITED) (PRE SB 747-78A2165) (PRE SB 767-78A0080) (PRE SB 767-78A0089)	U,V,X ,AX,A Y,CK, CQ,CU ,DJ DL,DN	1
-464D	315T4500-9		. SLEEVE ASSY- (PRE SB 747-78A2165) (PRE SB 767-78A0080) (PRE SB 767-78A0089) (REF CMM 78-31-45)	A,K,M ,AM, DA,DC ,DQ,D S,DU DW,DY ,EA, EC,EE ,FC, FE,FG FJ,FG M-FQ, FW-FZ ,GE, GF,GJ GK,GJ	1

78-31-41

ILLUSTRATED PARTS LIST
01.1 Page 1028C
Nov 01/03

FIG. & ITEM	PART NO.	AIRLINE PART NUMBER	NOMENCLATURE 1234567	EFF CODE	QTY PER ASSY
01- -464E	315T4026-11		.SLEEVE ASSY- (POST SB 747-78A2165) (POST SB 767-78A0080) (REF CMM 78-31-45)	G,N,T ,AR,A ,S,AW, ,AZ,BQ ,BS ,CG,CH ,CJ,C ,R-CT, ,EG,EJ ,EL ,EN,EQ ,ES,E ,U,EV, ,EY,EZ	1
-464F	315T4026-11		.SLEEVE ASSY- (LIMITED) (POST SB 747-78A2165) (POST SB 767-78A0080) (REF CMM 78-31-45)	V,X,A ,Y,CK, ,CU	1
-464G	315T4026-13		.SLEEVE ASSY- (LIMITED) (POST SB 747-78A2165) (POST SB 767-78A0080) (REF CMM 78-31-45)	U,V,X ,AX,A ,Y,CK, ,CQ,CU ,DJ ,DL,DN	1
-464H	315T4026-15		.SLEEVE ASSY- (LIMITED) (POST SB 747-78A2165) (POST SB 767-78A0080)	U,V,X ,AX,A ,Y,CK, ,CQ,CU ,DJ ,DL,DN	1

78-31-41

 **BOEING**
COMPONENT
MAINTENANCE MANUAL

FIG. & ITEM	PART NO.	AIRLINE PART NUMBER	NOMENCLATURE	EFF CODE	QTY PER ASSY
01- -464J	315T4026-15		1234567 .SLEEVE ASSY- (POST SB 747-78A2165) (POST SB 767-78A0080) (REF CMM 78-31-45)	A,K,M ,AM, DA,DC ,DQ,D S,DU DW,DY ,EA, EC,EE ,FC, FE,FG FJ,FG M-FQ, FW-FZ ,GE, GF,GJ GK,GJ	1
-464K	315T4026-18		.SLEEVE ASSY- (POST SB 767-78A0089) (REF CMM 78-31-45)	G,N,T ,AR,A S,AW, AZ,BQ ,BS CG,CH ,CJ,C R-CT, EG,EJ ,EL EN,EQ ,ES,E U,EV, EY,EZ	1

78-31-41

ILLUSTRATED PARTS LIST
01.1 Page 1028E
Nov 01/03

FIG. & ITEM	PART NO.	AIRLINE PART NUMBER	NOMENCLATURE 1234567	EFF CODE	QTY PER ASSY
01- -464L	315T4026-18		.SLEEVE ASSY- (LIMITED) (POST SB 767-78A0089) (REF CMM 78-31-45)	V,X,A Y,CK, CU	1
-464M	315T4026-13		.SLEEVE ASSY- (LIMITED) (POST SB 767-78A0089) (REF CMM 78-31-45)	U,V,X ,AX,A Y,CK, CQ,CU ,DJ DL,DN	1
-464N	315T4026-15		.SLEEVE ASSY- (LIMITED) (POST SB 767-78A0089) (REF CMM 78-31-45)	U,V,X ,AX,A Y,CK, CQ,CU ,DJ DL,DN	1
-464P	315T4026-15		.SLEEVE ASSY- (POST SB 767-78A0089) (REF CMM 78-31-45)	A,K,M ,AM, DA,DC ,DQ,D S,DU DW,DY ,EA, EC,EE ,FC, FE,FG FJ,FG M-FQ, FW-FZ ,GE, GF,GJ GK,GJ	1

78-31-41

 ILLUSTRATED PARTS LIST
 01.1 Page 1028F
 Nov 01/03

 **BOEING**
COMPONENT
MAINTENANCE MANUAL

FIG. & ITEM	PART NO.	AIRLINE PART NUMBER	NOMENCLATURE 1234567	EFF CODE	QTY PER ASSY
01- -467	315T4500-2		.SLEEVE ASSY- (PRE SB 747-78A2165) (PRE SB 767-78A0080) (PRE SB 767-78A0089) (REF CMM 78-31-45)	F,H, Z-AE, AG,AK ,BB-B J,BL BP,BR ,BT,B X-BZ, CD,CE CL-CN ,CV-C X,EH, EK,EM ,EP ER,ET ,EW,E X,FA, FB	1
-467A	315T4500-2		.SLEEVE ASSY- (LIMITED) (PRE SB 747-78A2165) (PRE SB 767-78A0080) (PRE SB 767-78A0089) (REF CMM 78-31-45)	AH,AJ ,AL,B M,BN, CP,CY ,CZ DK,DM ,DP	1
-467B	315T4500-8		.SLEEVE ASSY- (LIMITED) (PRE SB 747-78A2165) (PRE SB 767-78A0080) (PRE SB 767-78A0089) (REF CMM 78-31-45)	AH,AJ ,AL,B M,BN, CP,CY ,CZ DK,DM ,DP	1
-467C	315T4500-10		.SLEEVE ASSY- (LIMITED) (PRE SB 747-78A2165) (PRE SB 767-78A0080) (PRE SB 767-78A0089) (REF CMM 78-31-45)	AH,AJ ,AL,B M,BN, CP,CY ,CZ DK,DM ,DP	1

78-31-41

ILLUSTRATED PARTS LIST
01.1 Page 1028G
Nov 01/03

FIG. & ITEM	PART NO.	AIRLINE PART NUMBER	NOMENCLATURE	EFF CODE	QTY PER ASSY
01- -467D	315T4500-10		.SLEEVE ASSY- (PRE SB 747-78A2165) (PRE SB 767-78A0080) (PRE SB 767-78A0089) (REF CMM 78-31-45)	J,L,Y ,BA, DB,DD ,DF,D H,DR DT,DV ,DX,D Z,EB, ED,EF ,FD FF,FH ,FK,F S-FV, GA-GD ,GG GH,GL ,GM	1
-467E	315T4026-12		.SLEEVE ASSY- (POST SB 747-78A2165) (POST SB 767-78A0080) (REF CMM 78-31-45)	F,H, Z-AE, AG,AK ,BB-B J,BL BP,BR ,BT,B X-BZ, CD,CE CL-CN ,CV-C X,EH, EK,EM ,EP ER,ET ,EW,E X,FA, FB	1

78-31-41

 ILLUSTRATED PARTS LIST
 01.1 Page 1028H
 Nov 01/03

FIG. & ITEM	PART NO.	AIRLINE PART NUMBER	NOMENCLATURE 1234567	EFF CODE	QTY PER ASSY
01- -467F	315T4026-12		.SLEEVE ASSY- (LIMITED) (POST SB 747-78A2165) (POST SB 767-78A0080) (REF CMM 78-31-45)	AH,AJ ,AL,B M,BN, CP,CY ,CZ DK,DM ,DP	1
-467G	315T4026-14		.SLEEVE ASSY- (LIMITED) (POST SB 747-78A2165) (POST SB 767-78A0080) (REF CMM 78-31-45)	AH,AJ ,AL,B M,BN, CP,CY ,CZ DK,DM ,DP	1
-467H	315T4026-16		.SLEEVE ASSY- (LIMITED) (POST SB 747-78A2165) (POST SB 767-78A0080) (REF CMM 78-31-45)	AH,AJ ,AL,B M,BN, CP,CY ,CZ DK,DM ,DP	1
-467J	315T4026-16		.SLEEVE ASSY- (POST SB 747-78A2165) (POST SB 767-78A0080) (REF CMM 78-31-45)	J,L,Y ,BA, DB,DD ,DF,D H,DR DT,DV ,DX,D Z,EB, ED,EF ,FD FF,FH ,FK,F S-FV, GA-GD ,GG GH,GL ,GM	1

78-31-41

ILLUSTRATED PARTS LIST
01.1 Page 1028I
Nov 01/03

FIG. & ITEM	PART NO.	AIRLINE PART NUMBER	NOMENCLATURE 1234567	EFF CODE	QTY PER ASSY
01- -467K	315T4026-12		.SLEEVE ASSY- (POST SB 767-78A0089) (REF CMM 78-31-45)	F,H, Z-AE, AG,AK ,BB-B J,BL BP,BR ,BT,B X-BZ, CD,CE CL-CN ,CV-C X,EH, EK,EM ,EP ER,ET ,EW,E X,FA, FB	1
-467L	315T4026-12		.SLEEVE ASSY- (LIMITED) (POST SB 767-78A0089) (REF CMM 78-31-45)	AH,AJ ,AL,B M,BN, CP,CY ,CZ DK,DM ,DP	1
-467M	315T4026-14		.SLEEVE ASSY- (LIMITED) (POST SB 767-78A0089) (REF CMM 78-31-45)	AH,AJ ,AL,B M,BN, CP,CY ,CZ DK,DM ,DP	1

78-31-41

 ILLUSTRATED PARTS LIST
 01.1 Page 1028J
 Nov 01/03



BOEING
COMPONENT
MAINTENANCE MANUAL

FIG. & ITEM	PART NO.	AIRLINE PART NUMBER	NOMENCLATURE 1234567	EFF CODE	QTY PER ASSY
01- -467N	315T4026-16		.SLEEVE ASSY- (LIMITED) (POST SB 767-78A0089) (REF CMM 78-31-45)	AH,AJ ,AL,B M,BN, CP,CY ,CZ DK,DM ,DP	1
-467P	315T4026-16		.SLEEVE ASSY- (POST SB 767-78A0089) (REF CMM 78-31-45)	J,L,Y ,BA, DB,DD ,DF,D H,DR DT,DV ,DX,D Z,EB, ED,EF ,FD FF,FH ,FK,F S-FV, GA-GD ,GG GH,GL ,GM	1
470	315T4013-21		DELETED		
-470A	315T4013-25		DELETED		
470B	315T4013-37		.COWL ASSY- (REF CMM 71-11-56) (OPT ITEM 470C)	B	1
-470C	315T4013-29		.COWL ASSY- (REF CMM 71-11-56) (OPT ITEM 470B)	B,G,W ,BQ,E G,EU, EV	1
-470D	315T4013-33		DELETED		
-470E	315T4013-59		.COWL ASSY-(REWORK) (REF CMM 71-11-56)	P	1
-470F	315T4013-61		DELETED		

78-31-41

ILLUSTRATED PARTS LIST
01.1 Page 1028K
Nov 01/03

FIG. & ITEM	PART NO.	AIRLINE PART NUMBER	NOMENCLATURE 1234567	EFF CODE	QTY PER ASSY
01- -470G	315T4013-67		.COWL ASSY- (LIMITED) (REF CMM 71-11-56)	V,X,C Q,DL	1
-470H	315T4013-45		DELETED		
-470J	315T4013-63		.COWL ASSY- (REF CMM 71-11-56)	U	1
-470K	315U4009-9		.COWL ASSY-(REWORK) (REF CMM 71-11-56)	C,R	1
-470L	315U4009-5		.COWL ASSY-(REWORK) (REF CMM 71-11-56)	E,G,B Q,EG, EU,EV	1
-470M	315T4013-75		.COWL ASSY- (REF CMM 71-11-56)	N,Q,T ,EL,E Q	1
-470N	315T4013-71		.COWL ASSY- (REF CMM 71-11-56)	S,BV	1
-470P	315U4009-21		.COWL ASSY-(REWORK) (REF CMM 71-11-56)	CG-CK	1
-470Q	315T4013-79		.COWL ASSY- (LIMITED) (REF CMM 71-11-56)	V,X,C Q,DL	1
-470R	315T4013-83		.COWL ASSY- (LIMITED) (REF CMM 71-11-56)	DA,DE ,DY, EC	1
-470S	315T4013-99		.COWL ASSY- (LIMITED) (REF CMM 71-11-56)	V,X,C Q,DL	1
-470T	315T4013-103		.COWL ASSY- (LIMITED) (REF CMM 71-11-56)	DA,DE ,DY, EC	1
-470U	315T4013-107		.COWL ASSY- (REF CMM 71-11-56)	A,M,F M,FN	1
-470W	315T4013-111		.COWL ASSY- (REF CMM 71-11-56)	DQ,DU ,FC,F G,FP, FQ,GE ,GF	1
-473	315T4013-22		DELETED		
-473A	315T4013-26		DELETED		
-473B	315T4013-38		.COWL ASSY- (REF CMM 71-11-56) (OPT ITEM 473C)	F	1
-473C	315T4013-30		.COWL ASSY- (REF CMM 71-11-56) (OPT ITEM 473B)	F	1

78-31-41

 ILLUSTRATED PARTS LIST
 01.1 Page 1028L
 Nov 01/03

 **BOEING**
COMPONENT
MAINTENANCE MANUAL

FIG. & ITEM	PART NO.	AIRLINE PART NUMBER	NOMENCLATURE 1234567	EFF CODE	QTY PER ASSY
01-					
-473D	315T4013-34		DELETED		
-473E	315T4013-50		DELETED		
-473F	315T4013-68		.COWL ASSY- (LIMITED) (REF CMM 71-11-56)	AJ,AL ,CZ,D M	1
-473G	315T4013-46		.COWL ASSY- (REF CMM 71-11-56)	BZ	1
-473H	315T4013-64		.COWL ASSY- (REF CMM 71-11-56)	AH	1
-473J	315U4009-10		DELETED		
-473K	315U4009-6		.COWL ASSY-(REWORK) (REF CMM 71-11-56)	AB,AC ,AK,B R,EH, EW,EX	1
-473L	315T4013-76		.COWL ASSY- (REF CMM 71-11-56)	Z,AD, AG,EM ,ER	1
-473M	315T4013-72		.COWL ASSY- (REF CMM 71-11-56)	AF,BY	1
-473N	315U4009-22		.COWL ASSY-(REWORK) (REF CMM 71-11-56)	CL-CP	1
-473P	315T4013-80		.COWL ASSY- (LIMITED) (REF CMM 71-11-56)	AJ,AL ,CZ,D M	1
-473Q	315T4013-84		.COWL ASSY- (LIMITED) (REF CMM 71-11-56)	DB,DF ,DZ, ED	1
-473R	315T4013-100		.COWL ASSY- (LIMITED) (REF CMM 71-11-56)	AJ,AL ,CZ,D M	1
-473S	315T4013-104		.COWL ASSY- (LIMITED) (REF CMM 71-11-56)	DB,DF ,DZ, ED	1
-473T	315T4013-108		.COWL ASSY- (REF CMM 71-11-56)	J,Y,F S,FT	1
-473U	315T4013-112		.COWL ASSY- (REF CMM 71-11-56)	DR,DV ,FD,F H,FU, FV,GG ,GH	1
-476	315T4013-23		DELETED		
-476A	315T4013-27		DELETED		
-476B	315T4013-39		DELETED		
-476C	315T4013-31		.COWL ASSY- (REF CMM 71-11-56)	D	1

78-31-41

ILLUSTRATED PARTS LIST
01.1 Page 1028M
Nov 01/03

FIG. & ITEM	PART NO.	AIRLINE PART NUMBER	NOMENCLATURE 1234567	EFF CODE	QTY PER ASSY
01-					
-476D	315T4013-35		DELETED		
-476E	315T4013-51		DELETED		
-476F	315T4013-69		.COWL ASSY- (LIMITED) (REF CMM 71-11-56)	AY,AZ ,DJ,D N	1
-476G	315T4013-47		.COWL ASSY- (REF CMM 71-11-56)	CC	1
-476H	315T4013-65		.COWL ASSY- (REF CMM 71-11-56)	AX	1
-476J	315U4009-11		.COWL ASSY-(REWORK) (REF CMM 71-11-56)	AP,AU ,CA	1
-476K	315U4009-7		.COWL ASSY-(REWORK) (REF CMM 71-11-56)	AQ,AR ,AT,B S,EY, EZ	1
-476L	315T4013-77		.COWL ASSY- (REF CMM 71-11-56)	AN,AS ,AW,E N,ES	1
-476M	315T4013-73		.COWL ASSY- (REF CMM 71-11-56)	AV,CB	1
-476N	315U4009-23		.COWL ASSY-(REWORK) (REF CMM 71-11-56)	CR-CT	1
-476P	315T4013-81		.COWL ASSY- (LIMITED) (REF CMM 71-11-56)	AY,AZ ,DJ,D N	1
-476Q	315T4013-85		.COWL ASSY- (LIMITED) (REF CMM 71-11-56)	DC,DG ,EA,E E	1
-476R	315T4013-101		.COWL ASSY- (LIMITED) (REF CMM 71-11-56)	AY,AZ ,DJ,D N	1
-476S	315T4013-105		.COWL ASSY- (LIMITED) (REF CMM 71-11-56)	DC,DG	1
-476T	315T4013-109		.COWL ASSY- (REF CMM 71-11-56)	K,AM, FW,FX	1
-476U	315T4013-113		.COWL ASSY- (REF CMM 71-11-56)	DS,DW ,FE,F J,FY, FZ,GJ ,GK	1
-479	315T4013-24		DELETED		
-479A	315T4013-28		DELETED		
-479B	315T4013-40		DELETED		

78-31-41

 ILLUSTRATED PARTS LIST
 01.1 Page 1028N
 Nov 01/03

 **BOEING**
COMPONENT
MAINTENANCE MANUAL

FIG. & ITEM	PART NO.	AIRLINE PART NUMBER	NOMENCLATURE 1234567	EFF CODE	QTY PER ASSY
01- -479C	315T4013-32		.COWL ASSY- (REF CMM 71-11-56)	H,BC, BD,BF ,BH	1
-479D	315T4013-36		DELETED		
-479E	315T4013-60		DELETED		
-479F	315T4013-62		DELETED		
-479G	315T4013-70		.COWL ASSY-(LIMITED) (REF CMM 71-11-56)	BN,BP ,DK,D P	1
-479H	315T4013-48		.COWL ASSY- (REF CMM 71-11-56)	CF	1
-479J	315T4013-66		.COWL ASSY- (REF CMM 71-11-56)	BM	1
-479K	315U4009-12		.COWL ASSY-(REWORK) (REF CMM 71-11-56)	BB,BJ ,CD	1
-479L	315U4009-8		.COWL ASSY-(REWORK) (REF CMM 71-11-56)	BC,BD ,BT, FA,FB	1
-479M	315T4013-78		.COWL ASSY- (REF CMM 71-11-56)	BE,BG ,BL,E P,ET	1
-479N	315T4013-74		.COWL ASSY- (REF CMM 71-11-56)	BK,CE	1
-479P	315U4009-24		.COWL ASSY- (REF CMM 71-11-56)	CV-CY	1
-479Q	315T4013-82		.COWL ASSY- (LIMITED) (REF CMM 71-11-56)	BN,BP ,DK,D P	1
-479R	315T4013-86		.COWL ASSY- (LIMITED) (REF CMM 71-11-56)	DD,DH ,EB,E F	1
-479S	315T4013-102		.COWL ASSY- (LIMITED) (REF CMM 71-11-56)	BN,BP ,DK,D P	1
-479T	315T4013-106		.COWL ASSY- (LIMITED) (REF CMM 71-11-56)	DD,DH ,EB,E F	1
-479U	315T4013-110		.COWL ASSY- (REF CMM 71-11-56)	L,BA, GA,GB	1
-479W	315T4013-114		.COWL ASSY- (REF CMM 71-11-56)	DT,DX ,FF,F K,GC, GD,GL ,GM	1
-482	315T3154-21		DELETED		

78-31-41

ILLUSTRATED PARTS LIST
01.1 Page 10280
Nov 01/03

FIG. & ITEM	PART NO.	AIRLINE PART NUMBER	NOMENCLATURE 1234567	EFF CODE	QTY PER ASSY
01- -482A	315T3154-29		.TUBING INSTL-ACTR OPENING (FOR DETAILS SEE FIG. 4)	B-D,R ,T,V, AP,AQ ,AT,A U,AW AY,BQ ,BS,B W,CA, CC,C G-CK CR-CU ,DA, DC,DY ,EA, EC,EE EQ,ES ,EU,E V,EY, EZ	1
-482B	315T3154-21		DELETED		
-482C	315T3154-29		DELETED		
-482D	315T3154-51		.TUBING INSTL-ACTR OPENING (FOR DETAILS SEE FIG. 4)	FC,FE ,FM,F P,FW, FY,GE ,GJ DQ,DS	1

78-31-41

 ILLUSTRATED PARTS LIST
 01.1 Page 1028P
 Nov 01/03

 **BOEING**
COMPONENT
MAINTENANCE MANUAL

FIG. & ITEM	PART NO.	AIRLINE PART NUMBER	NOMENCLATURE 1234567	EFF CODE	QTY PER ASSY
01- -485 -485A	315T3154-22 315T3154-30		DELETED .TUBING INSTL-ACTR OPENING (FOR DETAILS SEE FIG. 4)	F,H, Z-AB, AE-AK ,BB,B C BF-BN ,BR,B T,B X-BZ, CD-CF CL-CP ,CV-C Z,DB, DD,DK ,DM DP,DZ ,EB, ED,EF ,ER,E T,EW EX,FA ,FB	1
-485B -485C -485D	315T3154-22 315T3154-30 315T3154-52		DELETED DELETED .TUBING INSTL-ACTR OPENING (FOR DETAILS SEE FIG. 4)	FD,FF ,FS,F U,GA, GC,GG ,GL DR,DT	1

78-31-41

ILLUSTRATED PARTS LIST
01.1 Page 1028Q
Nov 01/03

FIG. & ITEM	PART NO.	AIRLINE PART NUMBER	NOMENCLATURE	EFF CODE	QTY PER ASSY
01-486	315T3655-9		.SWITCH INSTL-OVERRIDE ACTR (VARIABLE) (FOR DETAILS SEE FIG. 6)	G,N,X ,AR,A ,S,AZ, ,DE,DG ,EC ,EE,EG ,EJ,E ,L,EN, ,FG,FJ ,FN ,FQ,FX ,FZ, ,GF,GK	1
-487	315T3655-10		.SWITCH INSTL-OVERRIDE ACTR (VARIABLE) (FOR DETAILS SEE FIG. 6)	AC,AD ,AL,B ,D,BE, ,BP,DF ,DH ,ED,EF ,EH,E ,K,EM, ,EP,FH ,FK ,FT,FV ,GB, ,GD,GH ,GM	1

78-31-41

 ILLUSTRATED PARTS LIST
 01.1 Page 1028R
 Nov 01/03

 **BOEING**
COMPONENT
MAINTENANCE MANUAL

FIG. & ITEM	PART NO.	AIRLINE PART NUMBER	NOMENCLATURE	EFF CODE	QTY PER ASSY
01-488	315T3156-1		1234567 .BRACKET INSTL- DEACTIVATION PIN STOWAGE	A-E,G ,K, M-X,A M-AZ, BQ,BS BU-BW ,CA-C C,C G-CK, CQ-CU DA,DC ,DE,D G,DJ, DL,DN ,DQ DS,DY ,EA, EC,EE ,EG,E J,EL EN,EQ ,ES,E U,EV, EY,EZ ,FC FE,FG ,FJ,F M-FQ, FW-FZ	1

78-31-41

ILLUSTRATED PARTS LIST
01.1 Page 1028S
Nov 01/03

FIG. & ITEM	PART NO.	AIRLINE PART NUMBER	NOMENCLATURE 1234567	EFF CODE	QTY PER ASSY
01- -488A	315T3156-17		.BRACKET INSTL- DEACTIVATION PIN STOWAGE	GE,GF ,GJ,G K	1
-488B	315T3156-17		.BRACKET INSTL- DEACTIVATION PIN (NHA 315T4295, REF COLLECTOR CMM 78-31-47) (NHA 315U4295, REF COLLECTOR CMM 78-31-48)	HA,HC	1
-488C	315T3156-31		.BRACKET INSTL- DEACTIVATION PIN (NHA 315T4295, REF COLLECTOR CMM 78-31-47)	HA	1
-488D	315T3156-33		.BRACKET INSTL- DEACTIVATION PIN (NHA 315T4295, REF COLLECTOR CMM 78-31-47)	HA	1
-488E	315T3156-23		.BRACKET INSTL- DEACTIVATION PIN (NHA 315U4295, REF COLLECTOR CMM 78-31-48)	HC	1
-488F	315T3156-25		.BRACKET INSTL- DEACTIVATION PIN (NHA 315U4295, REF COLLECTOR CMM 78-31-48)	HC	1
-488G	315T3156-27		.BRACKET INSTL- DEACTIVATION PIN (NHA 315U4295, REF COLLECTOR CMM 78-31-48)	HC	1

78-31-41

 ILLUSTRATED PARTS LIST
 01.1 Page 1028T
 Nov 01/03

BOEING
COMPONENT
MAINTENANCE MANUAL

FIG. & ITEM	PART NO.	AIRLINE PART NUMBER	NOMENCLATURE 1234567	EFF CODE	QTY PER ASSY
01- -488H	315T3156-29		.BRACKET INSTL- DEACTIVATION PIN (NHA 315U4295, REF COLLECTOR CMM 78-31-48)	HC	1
-491	315T3156-2		.BRACKET INSTL- DEACTIVATION PIN STOWAGE	F, H, J L, Y-AA, AC-AE AG-A J AL, B A-BJ, BM-BP BR, B T BX-BZ CD-C F, C L-CP, CV-CZ DB, DD DF, D H, DK, DM, DP DR DT, DV DX, D Y, EB, ED, EF EH EK, EM EP, E R, EW, EX, FA FB FD, FF FH, F K, F S-FV, GA-GD GG, GH GL, G M	1
-491A	315T3156-18		.BRACKET INSTL- DEACTIVATION PIN STOWAGE		1

78-31-41

ILLUSTRATED PARTS LIST
01.1 Page 1028U
Nov 01/03

FIG. & ITEM	PART NO.	AIRLINE PART NUMBER	NOMENCLATURE 1234567	EFF CODE	QTY PER ASSY
01- -491B	315T3156-18		.BRACKET INSTL- DEACTIVATION PIN (NHA 315T4295, REF COLLECTOR CMM 78-31-47) (NHA 315U4295, REF COLLECTOR CMM 78-31-48)	HB,HD	1
-491C	315T3156-32		.BRACKET INSTL- DEACTIVATION PIN (NHA 315T4295, REF COLLECTOR CMM 78-31-47)	HB	1
-491D	315T3156-34		.BRACKET INSTL- DEACTIVATION PIN (NHA 315T4295, REF COLLECTOR CMM 78-31-47)	HB	1
-491E	315T3156-24		.BRACKET INSTL- DEACTIVATION PIN (NHA 315U4295, REF COLLECTOR CMM 78-31-48)	HD	1
-491F	315T3156-26		.BRACKET INSTL- DEACTIVATION PIN (NHA 315U4295, REF COLLECTOR CMM 78-31-48)	HD	1
-491G	315T3156-28		.BRACKET INSTL- DEACTIVATION PIN (NHA 315U4295, REF COLLECTOR CMM 78-31-48)	HD	1
-491H	315T3156-30		.BRACKET INSTL- DEACTIVATION PIN (NHA 315U4295, REF COLLECTOR CMM 78-31-48)	HD	1

78-31-41

 ILLUSTRATED PARTS LIST
 01.1 Page 1028V
 Nov 01/03

 **BOEING**
COMPONENT
MAINTENANCE MANUAL

FIG. & ITEM	PART NO.	AIRLINE PART NUMBER	NOMENCLATURE	EFF CODE	QTY PER ASSY
01-494	315T3156-5		1234567 ..BRACKET ASSY	A-E,G ,K, M-X,A M-AZ, BQ,BS BU-BW ,CA-C C,C G-CK, CQ-CU DA,DC ,DE,D G,DJ, DL,DN ,DQ DS,DY ,EA, EC,EE ,EG,E J,EL EN,EQ ,ES,E U,EV, EY,EZ ,FC FE,FG ,FJ,F M-FQ, FW-FZ	1

78-31-41

ILLUSTRATED PARTS LIST
01.1 Page 1028W
Nov 01/03

FIG. & ITEM	PART NO.	AIRLINE PART NUMBER	NOMENCLATURE 1234567	EFF CODE	QTY PER ASSY
01- -494A	315T3156-19		..BRACKET ASSY	GE,GF ,GJ,G K,HA, HC	1
-497	315T3156-6		..BRACKET ASSY	F,H,J ,L, Y-AA, AC-AE ,AG-A J AL,B A-BJ, BM-BP ,BR,B T BX-BZ ,CD-C F,C L-CP, CV-CZ DB,DD ,DF,D H,DK, DM,DP ,DR DT,DV ,DX,D Y,EB, ED,EF ,EH EK,EM ,EP,E R,EW, EX,FA ,FB FD,FF ,FH,F K,F S-FV, GA-GD	1

78-31-41

 ILLUSTRATED PARTS LIST
 01.1 Page 1028X
 Nov 01/03

FIG. & ITEM	PART NO.	AIRLINE PART NUMBER	NOMENCLATURE 1234567	EFF CODE	QTY PER ASSY
01-497A	315T3156-20		..BRACKET ASSY	GG, GH ,GL, G M, HB, HD	1
500	315T3245-1		...RETAINER ASSY	A-FK, FM-FQ ,FS-G M, H A-HD	1
503	HL10VAZ5-3		ATTACHING PARTS ...BOLT- (V60516) (SPEC BACB30MY5K3) (OPT B30MY5K3 (V97928))	A-FK, FM-FQ ,FS-G M, H A-HD	4
506	HL79-5		...COLLAR- (V5M902) (SPEC BACC30M5) (OPT HL70-5 (V73197)) (OPT HL70-5 (V92215)) (OPT 66014-5 (V56878)) (OPT HL70-5 (V56878)) -----*	A-FK, FM-FQ ,FS-G M, H A-HD	4
509	MS21209F8-10	INSERT	A-FK, FM-FQ ,FS-G M, H A-HD	1
512	315T3245-2	RETAINER	A-FK, FM-FQ ,FS-G M, H A-HD	1
515	HL10VAZ6-3		...BOLT- (V60516) (SPEC BACB30MY6K3) (OPT B30MY6K3 (V97928))	A-FK, FM-FQ ,FS-G M, H A-HD	4

78-31-41

ILLUSTRATED PARTS LIST
01.1 Page 1028Y
Nov 01/03

FIG. & ITEM	PART NO.	AIRLINE PART NUMBER	NOMENCLATURE 1234567	EFF CODE	QTY PER ASSY
01-518	HL79-6		...COLLAR- (V5M902) (SPEC BACC30M6) (OPT HL79-6 (V73197)) (OPT HL79-6 (V92215)) (OPT 66014-6 (V56878)) (OPT HL79-6 (V56878))	A-FK, FM-FQ ,FS-G M,H A-HD	3
521	315T3156-7		...CHANNEL	A-E,G ,K, M-X,A M-AZ, BQ,BS BU-BW ,CA-C C,C G-CK, CQ-CU DA,DC ,DE,D G,DJ, DL,DN ,DQ DS,DY ,EA, EC,EE ,EG,E J,EL EN,EQ ,ES,E U,EV, EY,EZ ,FC FE,FG ,FJ,F M-FQ, FW-FZ GE,GF ,GJ,G K,HA, HC	1
-521A	315T3156-21		...CHANNEL		1

78-31-41

 ILLUSTRATED PARTS LIST
 01.1 Page 1028Z
 Nov 01/03

FIG. & ITEM	PART NO.	AIRLINE PART NUMBER	NOMENCLATURE	EFF CODE	QTY PER ASSY
01-524	315T3156-8		1234567 ...CHANNEL	F,H,J ,L, Y-AA, AC-AE ,AG-A J AL,B A-BJ, BM-BP ,BR,B T BX-BZ ,CD-C F,C L-CP, CV-CZ DB,DD ,DF,D H,DK, DM,DP ,DR DT,DV ,DX,D Y,EB, ED,EF ,EH EK,EM ,EP,E R,EW, EX,FA ,FB FD,FF ,FH,F K,F S-FV, GA-GD	1

78-31-41

ILLUSTRATED PARTS LIST
01.1 Page 1029
Nov 01/03

FIG. & ITEM	PART NO.	AIRLINE PART NUMBER	NOMENCLATURE 1234567	EFF CODE	QTY PER ASSY
01-524A	315T3156-22		...CHANNEL	GG, GH ,GL, G M, HB, HD	1
527	BAC27TTR0006		...MARKER-ALUMINUM FOIL- PIN STORAGE	A-FK, FM-FQ ,FS-G M, H A-HD	1
530 530A	315T3157-1 315T3157-7		DELETED .PIN ASSY-GND MAINT DEACTIVATION	B-H, N-T, W ,Z-AG ,AK, A N-AW BB-BL ,BQ-C J, C L-CN, CR-CT CV-CX ,EG- FB	1
530B	315T3157-7		.PIN ASSY-GND MAINT DEACTIVATION (LIMITED)	U, V, X ,AH, A J, AL, AX-AZ BM-BP ,CK, C P, CQ, CU, CY ,CZ DJ-DP	1

78-31-41

 ILLUSTRATED PARTS LIST
 01.1 Page 1030
 Nov 01/03

 **BOEING**
COMPONENT
MAINTENANCE MANUAL

FIG. & ITEM	PART NO.	AIRLINE PART NUMBER	NOMENCLATURE 1234567	EFF CODE	QTY PER ASSY
01- -530C	315T4157-1		.PIN ASSY-GND MAINT DEACTIVATION (LIMITED)	U,V,X ,AH,A J,AL, AX-AZ BM-BP ,CK,C P,CQ, CU,CY ,CZ DJ-DP	1
-530D	315T4157-1		.PIN ASSY-GND MAINT DEACTIVATION	A,J-M ,Y,AM ,BA,D Q-EF	1
532 532A	BACB18AN3-22 BLDS3-22		DELETED ..PIN- (V84256) (SPEC BACP18AN3-22) (OPT LA3EW22 (V83014)) (OPT SLDS3R22 (V16258)) (USED ON ITEMS 530C, 530D)	A,J-M ,U,V, X,Y,A H,AJ, AL,AM AX-BA ,BM-B P,CK, CP,CQ ,CU CY-EF ,FC-G Z	1
533	AN416-1		DELETED		

78-31-41

ILLUSTRATED PARTS LIST
01.1 Page 1030A
Nov 01/03

FIG. & ITEM	PART NO.	AIRLINE PART NUMBER	NOMENCLATURE 1234567	EFF CODE	QTY PER ASSY
01-533A	NAS603-11P		..SCREW- (USED ON ITEMS 530C, 530D)	A,J-M ,U,V, X,Y,A H,AJ, AL,AM AX-BA ,BM-B P,CK, CP,CQ ,CU CY-EF ,FC-G Z	1
534	AN960C11		..WASHER- (USED ON ITEMS 530C, 530D)	A,J-M ,U,V, X,Y,A H,AJ, AL,AM AX-BA ,BM-B P,CK, CP,CQ ,CU CY-EF ,FC-G Z	3
535	BRH10C3M		..NUT- (V52828) (SPEC BACN10JC3CM) (OPT T6C1032JM (V11815)) (OPT 97E02 (V80539)) (OPT 109LH9075-3W (V72962)) (OPT VN303D02 (V92215)) (OPT NS202101SE02 (V80539)) (OPT H01-3BAC (V15653)) (USED ON ITEMS 530C, 530D)	A,J-M ,U,V, X,Y,A H,AJ, AL,AM AX-BA ,BM-B P,CK, CP,CQ ,CU CY-EF ,FC-G Z	1
536	CL4F		DELETED		

78-31-41

 ILLUSTRATED PARTS LIST
 01.1 Page 1030B
 Nov 01/03

FIG. & ITEM	PART NO.	AIRLINE PART NUMBER	NOMENCLATURE 1234567	EFF CODE	QTY PER ASSY
01-536A	NAS43DD3-24		..SPACER- (USED ON ITEMS 530C, 530D)	A,J-M ,U,V, X,Y,A H,AJ, AL,AM AX-BA ,BM-B P,CK, CP,CQ ,CU CY-EF ,FC-G Z	1
537	NAS1756-24		..STREAMER- (USED ON ITEMS 530C, 530D)	A,J-M ,U,V, X,Y,A H,AJ, AL,AM AX-BA ,BM-B P,CK, CP,CQ ,CU CY-EF ,FC-G Z	1
538	315T4157-2		..SPOOL ASSY- (USED ON ITEMS 530C, 530D)	A,J-M ,U,V, X,Y,A H,AJ, AL,AM AX-BA ,BM-B P,CK, CP,CQ ,CU CY-EF ,FC-G Z	1

78-31-41

ILLUSTRATED PARTS LIST
01.1 Page 1030C
Nov 01/03

FIG. & ITEM	PART NO.	AIRLINE PART NUMBER	NOMENCLATURE 1234567	EFF CODE	QTY PER ASSY
01- 539 539A	BACC13Y3A30 315T1604-4		DELETED ...PIN-INSERT	A, J-M , U, V, X, Y, A H, AJ, AL, AM AX-BA , BM-B P, CK, CP, CQ , CU CY-EF , FC-G Z	1
542 542A	315T3157-6 315T3157-10		DELETED ..STREAMER ASSY- (USED ON ITEMS 530A, 530B)	B-H, N-X, Z-AL, AN-AZ , BB-C Z DJ-DP , EG- FB	1
545	NAS603-22P		ATTACHING PARTS ..BOLT- (USED ON ITEMS 530A, 530B)	B-H, N-X, Z-AL, AN-AZ , BB-C Z DJ-DP , EG- FB	1

78-31-41

 **BOEING**
COMPONENT
MAINTENANCE MANUAL

FIG. & ITEM	PART NO.	AIRLINE PART NUMBER	NOMENCLATURE 1234567	EFF CODE	QTY PER ASSY
01-548	AN960C11		..WASHER- (USED ON ITEMS 530A, 530B)	B-H, N-X, Z-AL, AN-AZ ,BB-C Z DJ-DP ,EG- FB	1
551	NAS43DD3-15		..SPACER- (USED ON ITEMS 530A, 530B)	B-H, N-X, Z-AL, AN-AZ ,BB-C Z DJ-DP ,EG- FB	1
554	BRH10C3M		..NUT- (V52828) (SPEC BACN10JC3CM) (OPT T6C1032JM (V11815)) (OPT 97E02 (V80539)) (OPT 109LH9075-3W (V72962)) (OPT VN303D02 (V92215)) (OPT NS202101SE02 (V80539)) (OPT H01-3BAC (V15653)) (USED ON ITEMS 530A, 530B) -----*	B-H, N-X, Z-AL, AN-AZ ,BB-C Z DJ-DP ,EG- FB	1

78-31-41

ILLUSTRATED PARTS LIST
01.1 Page 1030E
Nov 01/03

FIG. & ITEM	PART NO.	AIRLINE PART NUMBER	NOMENCLATURE 1234567	EFF CODE	QTY PER ASSY
01- 557 557A	MS20230GB10 MS27980-1N		DELETED ...FASTENER	B-H, N-X, Z-AL, AN-AZ ,BB-C Z DJ-DP ,EG- FB	1
558	MS27980-6N		...FASTENER	B-H, N-X, Z-AL, AN-AZ ,BB-C Z DJ-DP ,EG- FB	1
559	MS27980-7N		...FASTENER	B-H, N-X, Z-AL, AN-AZ ,BB-C Z DJ-DP ,EG- FB	1
560 560A	MS20230WB10 MS27980-8N		DELETED ...FASTENER	B-H, N-X, Z-AL, AN-AZ ,BB-C Z DJ-DP ,EG- FB	1

78-31-41

 ILLUSTRATED PARTS LIST
 01.1 Page 1030F
 Nov 01/03

 **BOEING**
COMPONENT
MAINTENANCE MANUAL

FIG. & ITEM	PART NO.	AIRLINE PART NUMBER	NOMENCLATURE 1234567	EFF CODE	QTY PER ASSY
01-563	NAS1756-24		...STREAMER	B-H, N-X, Z-AL, AN-AZ ,BB-C Z DJ-DP ,EG- FB	1
566	315T3157-2		..SPOOL ASSY- (OPT ITEM 566A) (USED ON ITEMS 530A, 530B)	B-H, N-X, Z-AL, AN-AZ ,BB-C Z DJ-DP ,EG- FB	1
-566A	315T3157-8		..SPOOL ASSY- (OPT ITEM 566) (USED ON ITEMS 530A, 530B)	B-H,N ,Q-X, Z-AL, AN-AZ BB-DP ,EG- FB	1
569	315T3157-3		...TUBE	B-H, N-X, Z-AL, AN-AZ ,BB-C Z DJ-DP ,EG- FB	1
572	315T1604-3		...PIN	B-H, N-X, Z-AL, AN-AZ ,BB-C Z DJ-DP ,EG- FB	1

78-31-41

ILLUSTRATED PARTS LIST
01.1 Page 1030G
Nov 01/03

FIG. & ITEM	PART NO.	AIRLINE PART NUMBER	NOMENCLATURE	EFF CODE	QTY PER ASSY
			1234567		
01-575	BACR15BB3AD		.RIVET- (SIZE DETERMINE ON INST)		4
578	MS27253-2		.PLATE		1
-581	315T4102-6		.DUCT INSTL-INNER WALL	AC-AG ,AK,B D,BE, BH-BL ,BN BP,BR ,BT,B Z,CF, CL-CN CV-CX ,EH,E K,EM, EP,ER ,ET EW,EX ,FA, FB	1
584	BACS12CK3U8		..SCREW	AC-AG ,AK,B D,BE, BH-BL ,BN BP,BR ,BT,B Z,CF, CL-CN CV-CX ,EH,E K,EM, EP,ER ,ET EW,EX ,FA, FB	4

78-31-41

 ILLUSTRATED PARTS LIST
 01.1 Page 1030H
 Nov 01/03

BOEING
COMPONENT
MAINTENANCE MANUAL

FIG. & ITEM	PART NO.	AIRLINE PART NUMBER	NOMENCLATURE	EFF CODE	QTY PER ASSY
01-587	16		1234567 ..CLAMP- (V7Z588) (SPEC STBC10GG38-48) (OPT WWD38-48H (V66295))	AC-AG ,AK,B D,BE, BH-BL ,BN BP,BR ,BT,B Z,CF, CL-CN CV-CX ,EH,E K,EM, EP,ER ,ET EW,EX ,FA, FB	2
590	025029-20		..CLAMP- (V84971) (SPEC BACC10HS20) (OPT 44LC17H20PB (V22175)) (OPT S500-20 (V18076)) (OPT 490-20RPB (V83930))	AC-AG ,AK,B D,BE, BH-BL ,BN BP,BR ,BT,B Z,CF, CL-CN CV-CX ,EH,E K,EM, EP,ER ,ET EW,EX ,FA, FB	4

78-31-41

ILLUSTRATED PARTS LIST
01.1 Page 1030I
Nov 01/03

FIG. & ITEM	PART NO.	AIRLINE PART NUMBER	NOMENCLATURE 1234567	EFF CODE	QTY PER ASSY
01-593	BACD40D5-37-30		..DUCT	AC-AG ,AK,B D,BE, BH-BL ,BN BP,BR ,BT,B Z,CF, CL-CN CV-CX ,EH,E K,EM, EP,ER ,ET EW,EX ,FA, FB	1
596 596A	315T4102-5 315T4102-7		DELETED ..TUBE	AC-AG ,AK,B D,BE, BH-BL ,BN BP,BR ,BT,B Z,CF, CL-CN CV-CX ,EH,E K,EM, EP,ER ,ET EW,EX ,FA, FB	1

78-31-41

 ILLUSTRATED PARTS LIST
 01.1 Page 1030J
 Nov 01/03

FIG. & ITEM	PART NO.	AIRLINE PART NUMBER	NOMENCLATURE 1234567	EFF CODE	QTY PER ASSY
01-599	315T3244-10		..TUBE ASSY-ADAPTER	AC-AG ,AK,B D,BE, BH-BL ,BN BP,BR ,BT,B Z,CF, CL-CN CV-CX ,EH,E K,EM, EP,ER ,ET EW,EX ,FA, FB	1
602	HL10VAZ5-2		ATTACHING PARTS ..BOLT- (V60516) (SPEC BACB30MY5K2) (OPT B30MY5K2 (V97928))	AC-AG ,AK,B D,BE, BH-BL ,BN BP,BR ,BT,B Z,CF, CL-CN CV-CX ,EH,E K,EM, EP,ER ,ET EW,EX ,FA, FB	6

78-31-41

ILLUSTRATED PARTS LIST
01.1 Page 1030K
Nov 01/03

FIG. & ITEM	PART NO.	AIRLINE PART NUMBER	NOMENCLATURE 1234567	EFF CODE	QTY PER ASSY
01-605	HL79-5		..COLLAR- (V5M902) (SPEC BACC30M5) (OPT HL70-5 (V73197)) (OPT HL70-5 (V92215)) (OPT 66014-5 (V56878)) (OPT HL70-5 (V56878)) -----*-----	AC-AG ,AK,B D,BE, BH-BL ,BN BP,BR ,BT,B Z,CF, CL-CN CV-CX ,EH,E K,EM, EP,ER ,ET EW,EX ,FA, FB	6
608	315T4102-3		..BRACKET ASSY	AC-AG ,AK,B D,BE, BH-BL ,BN BP,BR ,BT,B Z,CF, CL-CN CV-CX ,EH,E K,EM, EP,ER ,ET EW,EX ,FA, FB	4

78-31-41

 ILLUSTRATED PARTS LIST
 01.1 Page 1030L
 Nov 01/03

BOEING
COMPONENT
MAINTENANCE MANUAL

FIG. & ITEM	PART NO.	AIRLINE PART NUMBER	NOMENCLATURE 1234567	EFF CODE	QTY PER ASSY
01- 611	L8006K6		ATTACHING PARTS ..BOLT- (V06725) (SPEC BACB30MY6K6) (OPT HL10VAZ6-6 (VOPTK6))	AC-AG ,AK,B D,BE, BH-BL ,BN BP,BR ,BT,B Z,CF, CL-CN CV-CX ,EH,E K,EM, EP,ER ,ET EW,EX ,FA, FB	8
614	HL79-6		..COLLAR- (V5M902) (SPEC BACC30M6) (OPT HL79-6 (V73197)) (OPT HL79-6 (V92215)) (OPT 66014-6 (V56878)) (OPT HL79-6 (V56878)) -----*-----	AC-AG ,AK,B D,BE, BH-BL ,BN BP,BR ,BT,B Z,CF, CL-CN CV-CX ,EH,E K,EM, EP,ER ,ET EW,EX ,FA, FB	8

78-31-41

ILLUSTRATED PARTS LIST
01.1 Page 1030M
Nov 01/03

FIG. & ITEM	PART NO.	AIRLINE PART NUMBER	NOMENCLATURE 1234567	EFF CODE	QTY PER ASSY
01-617 617A	BACF15CE3D BACR15CE3D		DELETED ...RIVET- (SIZE DETERMINE ON INST)	AC-AG ,AK,B D,BE, BH-BL ,BN BP,BR ,BT,B Z,CF, CL-CN CV-CX ,EH,E K,EM, EP,ER ,ET EW,EX ,FA, FB	2
620	K1000-3BAC		...NUTPLATE- (V15653) (SPEC BACN10JR3) (OPT NS103202-02 (V80539)) (OPT RMA9201-3 (V72962)) (OPT T8088S1032 (V11815)) (OPT VN102A1-02 (V92215)) (OPT BR2000A3 (V52828))	AC-AG ,AK,B D,BE, BH-BL ,BN BP,BR ,BT,B Z,CF, CL-CN CV-CX ,EH,E K,EM, EP,ER ,ET EW,EX ,FA, FB	1

78-31-41

 ILLUSTRATED PARTS LIST
 01.1 Page 1030N
 Nov 01/03

FIG. & ITEM	PART NO.	AIRLINE PART NUMBER	NOMENCLATURE 1234567	EFF CODE	QTY PER ASSY
01-623	315T4102-4		. . ANGLE	AC-AG ,AK,B D,BE, BH-BL ,BN BP,BR ,BT,B Z,CF, CL-CN CV-CX ,EH,E K,EM, EP,ER ,ET EW,EX ,FA, FB	1
626	315T4532-1		. CLIP-ANTI-ROTATION (LIMITED)	N,Q,T ,Z,AD ,AG,A N,AW, BG,BL EL,EM ,EQ-E S	6

78-31-41

ILLUSTRATED PARTS LIST
01.1 Page 10300
Nov 01/03

FIG. & ITEM	PART NO.	AIRLINE PART NUMBER	NOMENCLATURE 1234567	EFF CODE	QTY PER ASSY
01- -626A	315T4532-1		.CLIP-ANTI-ROTATION	A, J-M , U, X, Y, AH, AJ, AL , AM AS, A X-BA, BE, B M-BP, BV, BY CB, CE , CJ, C K, CN, CP, CU , CX CY, D A-DH, DQ-EF , EN, E P, FC FD-GZ	6
629	KJB301504B		.BUSHING- (LIMITED) (V50632)	N, Q, T , Z, AD , AG, A N, AW, BG, BL EL, EM , EQ-E S	6

78-31-41

 ILLUSTRATED PARTS LIST
 01.1 Page 1030P
 Nov 01/03

 **BOEING**
COMPONENT
MAINTENANCE MANUAL

FIG. & ITEM	PART NO.	AIRLINE PART NUMBER	NOMENCLATURE	EFF CODE	QTY PER ASSY
01- -629A	KJB301504B		.BUSHING- (V50632)	A, J-M , U, X, , Y, AH, , AJ, AL , AM , AS, A , X-BA, , BE, B , M-BP, , BV, BY , CB, CE , CJ, C , K, CN, , CP, CU , CX , CY, D , A-DH, , DQ-EF , EN, E , P, FC , FD-GZ	6
-630	315T4024-1		.THRUST REVERSER ASSY- (REWORK)	G, AR, , BQ, BS , BW, , CA, CC , CG, C , H , CR, CS , EG, E , J, EU, , EV, EY , EZ	1

78-31-41

ILLUSTRATED PARTS LIST
01.1 Page 1030Q
Nov 01/03

FIG. & ITEM	PART NO.	AIRLINE PART NUMBER	NOMENCLATURE 1234567	EFF CODE	QTY PER ASSY
01- -631	315T4024-2		.THRUST REVERSER ASSY- (REWORK)	AC,BD ,BR,B T,BX, CD,CF ,CL CM,CV ,CW,E H,EK, EW,EX ,FA FBA	1
632 -635	BAC27EPP0476 315T3128-27		DELETED .SYSTEM INSTL-ZONE (FOR DETAILS SEE FIG. 7)	G,N, R-T,W ,AR-A W,BQ, BS,BW CC,CW G-CJ, CR-CT ,EG,E J,EL EN,EQ ,ES,E U,EV, EY,EZ	1
-637 637A	NAS1714C2-8S NAS1714C2-8S		DELETED .CLAMP- (LIMITED) (OPT ITEM 637B)	V,AJ, AY,BN	4
-637B	NAS1714C2-10S		.CLAMP- (LIMITED) (OPT ITEM 637A)	V,AJ, AY,BN	4

78-31-41

 ILLUSTRATED PARTS LIST
 01.1 Page 1030R
 Nov 01/03

BOEING
COMPONENT
MAINTENANCE MANUAL

FIG. & ITEM	PART NO.	AIRLINE PART NUMBER	NOMENCLATURE 1234567	EFF CODE	QTY PER ASSY
01- -637C	NAS1714C2-10S		.CLAMP- (OPT ITEM 637D)	DA-DD ,DY-E F	4
-637D	NAS1714C2-8S		.CLAMP- (OPT ITEM 637C)	DA-DD ,DY-E F	4
-637E	NAS1714C2-10S		.CLAMP	X,AL, AZ,BP ,DE-D H,E C-EF	4
-637F	NAS1714C2-8S		.CLAMP- (LIMITED)	U,AH, AX,BM	4
638	286T3528		.WIRE BUNDLE- (OPT ITEM 638A)	B-E,G ,P,R, S,U,W ,AP-A R AT-AV ,AX,A Z,BQ, BS,B U-BW CA-CC ,CG-C K,C R-CU, DA,DC DE,DG ,DY, EA,EC ,EE,E G,EJ EL,EN ,EQ,E S,EU, EV,EY ,EZ	1

78-31-41

ILLUSTRATED PARTS LIST
01.1 Page 1030S
Nov 01/03

FIG. & ITEM	PART NO.	AIRLINE PART NUMBER	NOMENCLATURE	EFF CODE	QTY PER ASSY
01- -638A	61B43528		.WIRE BUNDLE- (OPT ITEM 638)	B-E,G ,P,R, ,S,U,W ,AP-A R AT-AV ,AX,A Z,BQ, BS,B U-BW CA-CC ,CG-C K,C R-CU, DA,DC DE,DG ,DY, EA,EC ,EE,E G,EJ EL,EN ,EQ,E S,EU, EV,EY ,EZ	1
-638B	286T3528		.WIRE BUNDLE	A,K,M ,N,Q, T,V,X ,AM,A N,AS AW,AY ,CQ,D J,DL, DN,FM ,FN FW,FX	1

78-31-41

 ILLUSTRATED PARTS LIST
 01.1 Page 1030T
 Nov 01/03

BOEING
COMPONENT
MAINTENANCE MANUAL

FIG. & ITEM	PART NO.	AIRLINE PART NUMBER	NOMENCLATURE	EFF CODE	QTY PER ASSY
01- -638C	61B43528		.WIRE BUNDLE	DQ,DU ,FC,F G,FP, FQ,GE ,GF	1
-638E	61B43528		.WIRE BUNDLE- (LIMITED)	DS,DW ,FE,F J,FY, FZ,GJ ,GK	1
641	286T3526		.WIRE BUNDLE- (OPT ITEM 641A)	F,H,A A-AC, AE,AF ,AH,A K BB-BD ,BF,B H-BK, BM,BR ,BT BX-BZ ,CD-C F,C L-CP, CV,CW CX,CY ,DD,D H,EB, EF,EH ,EK EM,EP ,ER,E T,EW, EX,FA ,FB	1

78-31-41

ILLUSTRATED PARTS LIST
01.1 Page 1030U
Nov 01/03

FIG. & ITEM	PART NO.	AIRLINE PART NUMBER	NOMENCLATURE	EFF CODE	QTY PER ASSY
01- -641A	61B43526		.WIRE BUNDLE- (OPT ITEM 641)	F,H,A A-AC, AE,AF ,AH,A K BB-BD ,BF,B H-BK, BM,BR ,BT BX-BZ ,CD-C F,C L-CP, CV,CW CX,CY ,DD,D H,EB, EF,EH ,EK EM,EP ,ER,E T,EW, EX,FA ,FB	1
-641B	286T3526		.WIRE BUNDLE	J,L,Y ,Z,AD ,AG,A J,AL, BA BE,BG ,BL,B N,BP, CZ,DK ,DM DP,FS ,FT, GA,GB	1

78-31-41

 ILLUSTRATED PARTS LIST
 01.1 Page 1030V
 Nov 01/03

 **BOEING**
COMPONENT
MAINTENANCE MANUAL

FIG. & ITEM	PART NO.	AIRLINE PART NUMBER	NOMENCLATURE	EFF CODE	QTY PER ASSY
01- -641C	61B43526		.WIRE BUNDLE	DR,DT ,DV,D ,X,FD, FF,FH ,FK FU,FV ,GC, GD,GG ,GH,G L,GM	1
644	286T3530		.WIRE BUNDLE- (OPT ITEM 644A)	B-E,G ,P,R, S,U,W ,AP-A R AT-AV ,AX,B Q,BS, BU-BW CA-CC ,CG-C K,C R-CU, EG,EJ EL,EN ,EQ,E S,EU, EV,EY ,EZ	1

78-31-41

ILLUSTRATED PARTS LIST
01.1 Page 1030W
Nov 01/03

FIG. & ITEM	PART NO.	AIRLINE PART NUMBER	NOMENCLATURE	EFF CODE	QTY PER ASSY
01- -644A	61B43530		.WIRE BUNDLE- (OPT ITEM 644)	B-E,G ,P,R, S,U,W ,AP-A R AT-AV ,AX,B Q,BS, BU-BW CA-CC ,CG-C K,C R-CU, EG,EJ EL,EN ,EQ,E S,EU, EV,EY ,EZ	1
-644B	286T3530		.WIRE BUNDLE	A,K-N ,Q,T, V,X,A M,AN, AS,AW AY,AZ ,CQ,D J,DL, DN,FM ,FN FW,FX	1

78-31-41

 ILLUSTRATED PARTS LIST
 01.1 Page 1030X
 Nov 01/03

 **BOEING**
COMPONENT
MAINTENANCE MANUAL

FIG. & ITEM	PART NO.	AIRLINE PART NUMBER	NOMENCLATURE	EFF CODE	QTY PER ASSY
01- -644C	61B43530		.WIRE BUNDLE	DA,DC ,DE,D G,DQ, DS,DU ,DW DY,EA ,EC,E E,FC, FE,FG ,FJ FP,FQ ,FY,F Z,GE, GF,GJ ,GK	1
647	286T3532		.WIRE BUNDLE- (OPT ITEM 647A)	F,H,A A-AC, AE,AF ,AH,A K BB-BD ,BF,B H-BK, BM,BR ,BT BX-BZ ,CD-C F,C L-CP, CV-CY EH,EK ,EM,E P,ER, ET,EW ,EX FA,FB	1

78-31-41

ILLUSTRATED PARTS LIST
01.1 Page 1030Y
Nov 01/03

FIG. & ITEM	PART NO.	AIRLINE PART NUMBER	NOMENCLATURE 1234567	EFF CODE	QTY PER ASSY
01- -647A	61B43532		.WIRE BUNDLE- (OPT ITEM 647)	F,H,A A-AC, AE,AF ,AH,A K BB-BD ,BF,B H-BK, BM,BR ,BT BX-BZ ,CD-C F,C L-CP, CV-CY EH,EK ,EM,E P,ER, ET,EW ,EX FA,FB	1
-647B	286T3532		.WIRE BUNDLE	J,L,Y ,Z,AD ,AG,A J,AL, BA,BE BG,BL ,BN,B P,CZ, DK,DM ,DP FS,FT ,GA, GB	1

78-31-41

 ILLUSTRATED PARTS LIST
 01.1 Page 1030Z
 Nov 01/03

 **BOEING**
COMPONENT
MAINTENANCE MANUAL

FIG. & ITEM	PART NO.	AIRLINE PART NUMBER	NOMENCLATURE 1234567	EFF CODE	QTY PER ASSY
01- -647C	61B43532		.WIRE BUNDLE	DB,DD ,DF,D H,DR, DT,DV ,DX DZ,EB ,ED,E F,FD, FF,FH ,FK FU,FV ,GC, GD,GG ,GH,G L,GM	1
650 653	BAC27EPP0476 NAS514P832-16		DELETED .SCREW	FL,G N-GS, GY	6
656	BACW10BP2NDP		.WASHER	FL,G N-GS, GY	6
659	H52732-08CD		.NUT- (V15653) (SPEC BACN10YR08CD) (OPT PLH508CD (V62554))	FL,G N-GS, GY	6
662	315T4000-109		.SPACER	FL,G N-GS, GY	3
665	315T4000-107		.SHIM	FL,G N-GS, GY	3

78-31-41

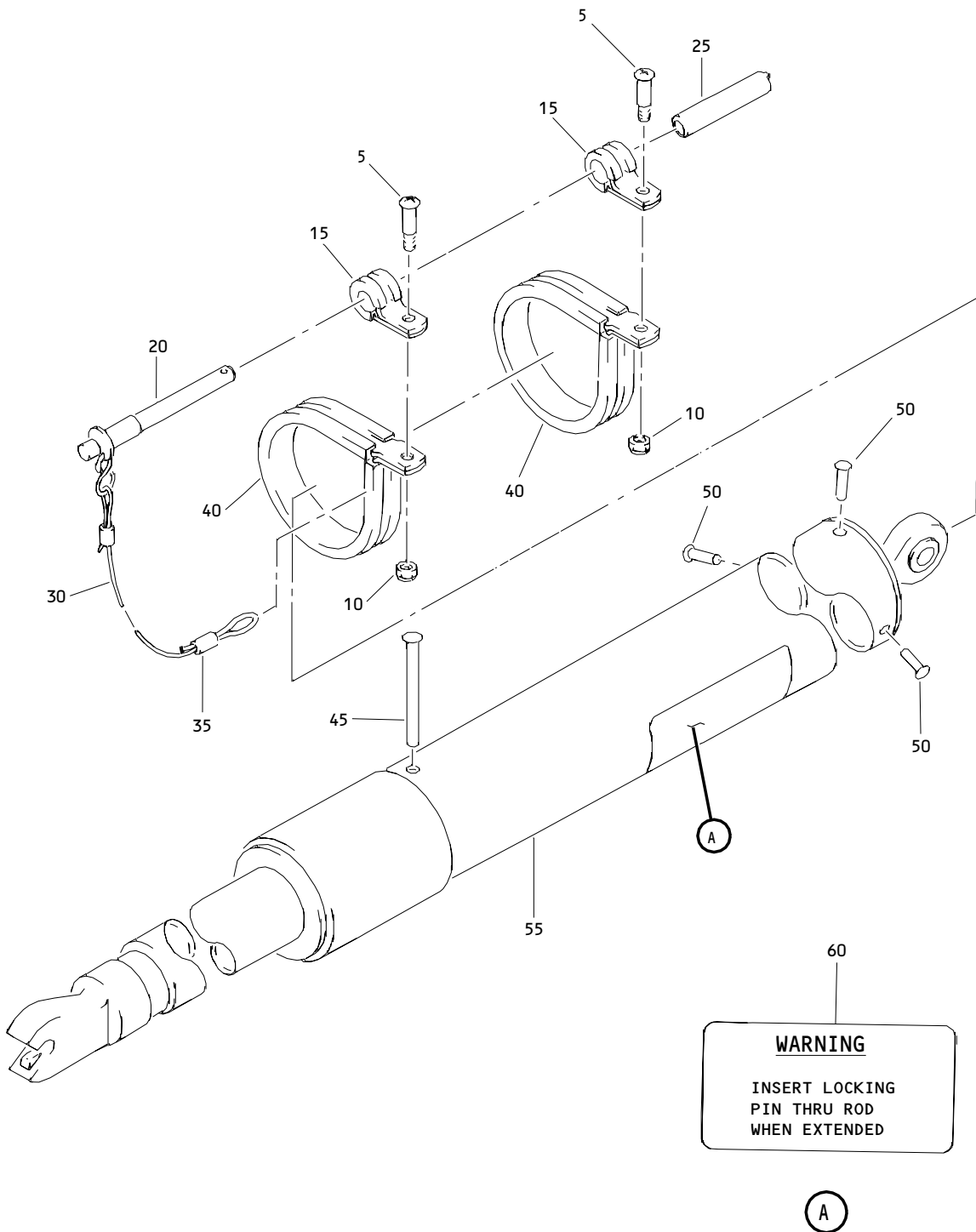
ILLUSTRATED PARTS LIST
01.1 Page 1031
Nov 01/03

FIG. & ITEM	PART NO.	AIRLINE PART NUMBER	NOMENCLATURE 1234567	EFF CODE	QTY PER ASSY
01-668	NAS514P1032-12		.SCREW	FL,G N-GS, GY	6
671	BACW10BP3DP		.WASHER	FL,G N-GS, GY	6
674	H52732-3CD		.NUT- (V15653) (SPEC BACN10YR3CD) (OPT PLH53CD (V62554))	FL,G N-GS, GY	6
677	315T4000-110		.SPACER	FL,G N-GS, GY	3
680	315T4000-108		.SHIM	FL,G N-GS, GY	3
683 -938D	BAC27EPP0476 286T3528		.MARKER-ALUMINUM FOIL .WIRE BUNDLE- (LIMITED)	DS,DW ,FE,F J,FY, FZ,GJ ,GK	1 1

- Item Not Illustrated

78-31-41

 ILLUSTRATED PARTS LIST
 01.1 Page 1032
 Nov 01/03



Hold Open Rod Assembly
 Figure 2

78-31-41

ILLUSTRATED PARTS LIST
 01.101 Page 1032B
 Nov 01/03

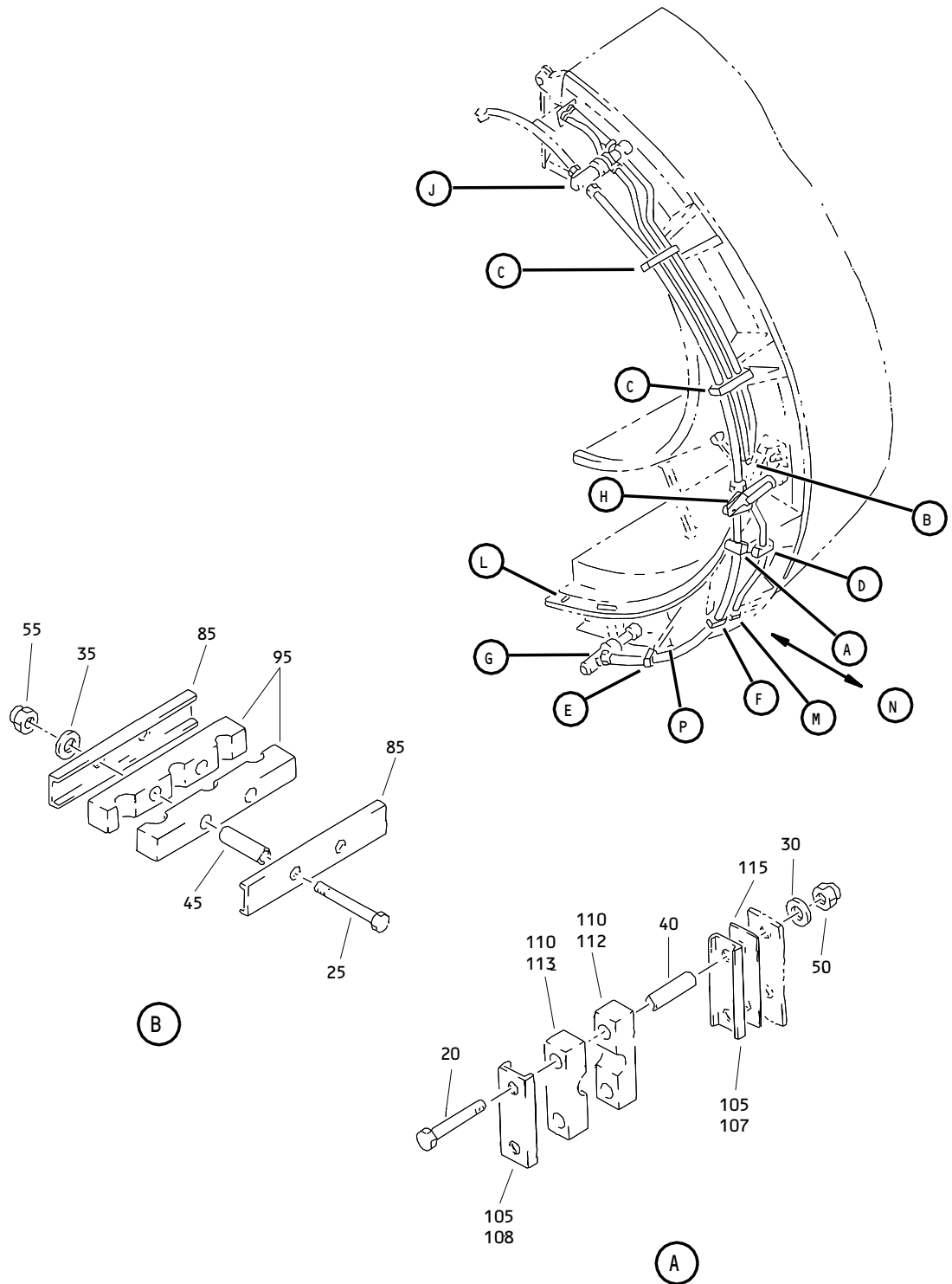
 **BOEING**
COMPONENT
MAINTENANCE MANUAL

FIG. & ITEM	PART NO.	AIRLINE PART NUMBER	NOMENCLATURE 1234567	EFF CODE	QTY PER ASSY
02- -1	315T3159-1		ROD ASSY-HOLD OPEN (REWORK)		RF
5 10	BACB30NT3K2 BRH10C3D		.BOLT .NUT- (V52828) (SPEC BACN10JC3CD) (OPT T6C1032JCD (V11815)) (OPT NS202486-02 (V80539)) (OPT 102LH9075-3W (V72962)) (OPT H51650-3BAC (V15653))		2 2
15 20	MS21919WCH5 CL4BLPB1-8S		.CLAMP .PIN-BALL LOCK (V99862) (OPT ITEMS 20A, 20B)		2 1
-20A	BLC4BC18S		.PIN-BALL LOCK (V84256) (OPT ITEMS 20, 20B)		1
-20B	MS17984C418		.PIN-BALL LOCK (OPT ITEMS 20, 20A)		1
25	315T3159-3		.RETAINER-PIN (MFD FROM 304 CRES TUBE F17.09 MIL-T-6845 5/8 IN. OD X 30.28 IN X 1.79 IN. LG)		1
30 35	BACC13Y3B42 CL4F		.CABLE ASSY .FERRULE- (V99862) (SPEC BACF22U2) (OPT 325167 (V00779))		1 1
40 45 50	MS21919WCH28 MS20613-6C30 SSD66SSBS		.CLAMP .RIVET .RIVET- (V07707)		2 1 3
55	A2724-3		.STRUT ASSY- (V08844) (SPEC S315T366-2) (REF CMM 71-10-12)		1
60	BAC27TTR0043		.MARKER-ALUMINUM FOIL		1

- Item Not Illustrated

78-31-41

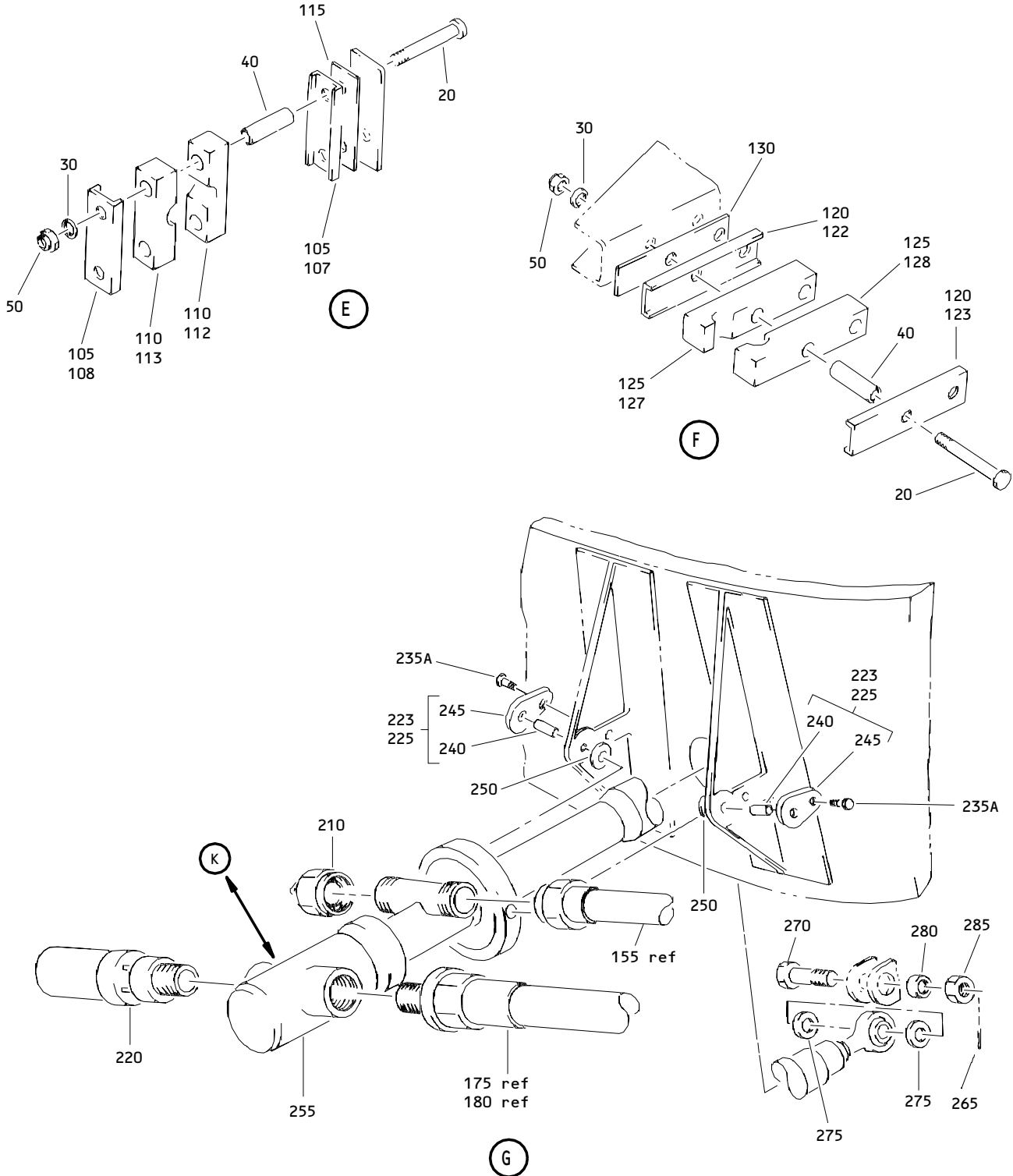
ILLUSTRATED PARTS LIST
01.1 Page 1032C
Nov 01/03



Thrust Reverser Actuator and Tubing Installation
Figure 3 (Sheet 1)

78-31-41

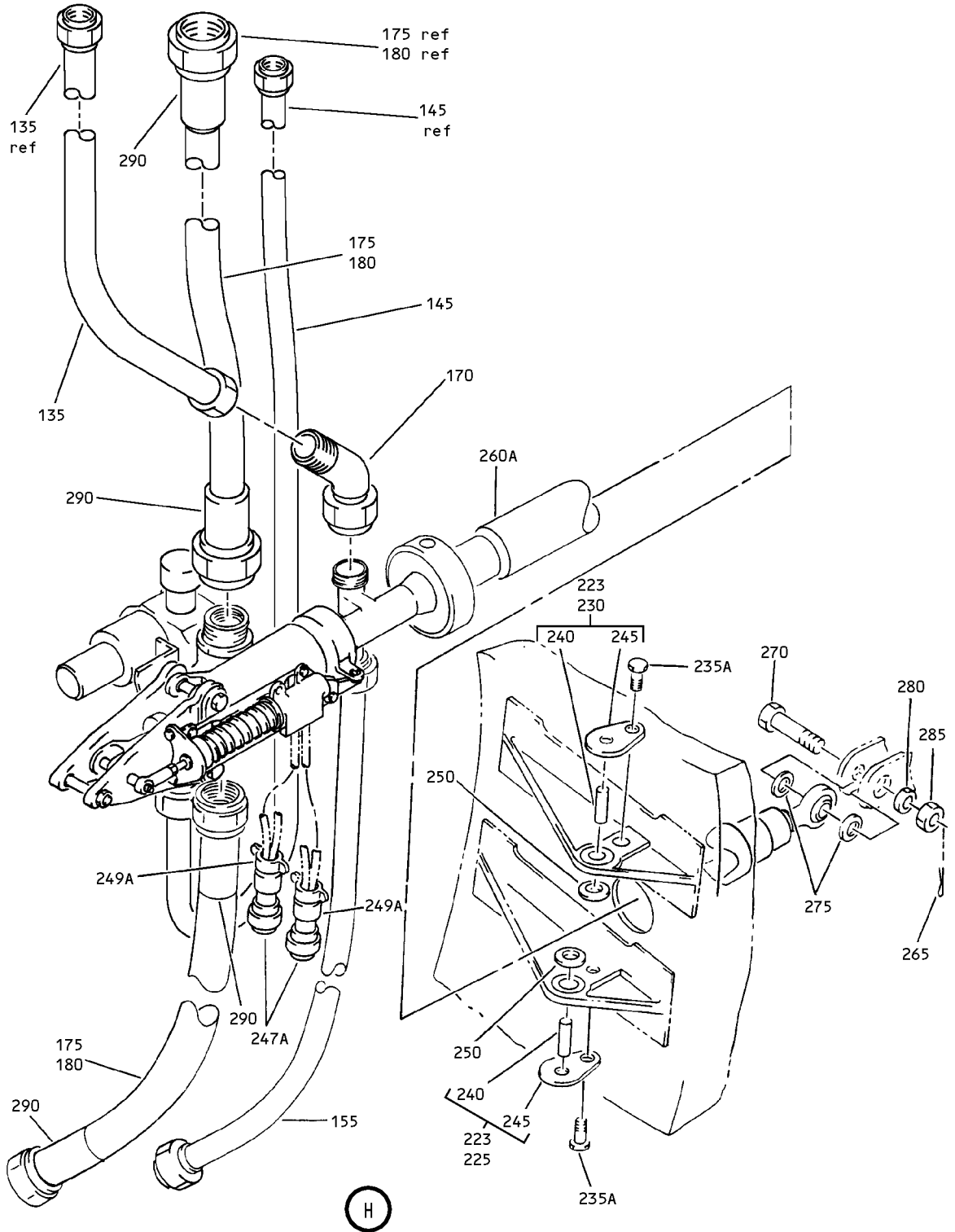
ILLUSTRATED PARTS LIST
01.1 Page 1032E
Nov 01/03



Thrust Reverser Actuator and Tubing Installation
 Figure 3 (Sheet 2)

78-31-41

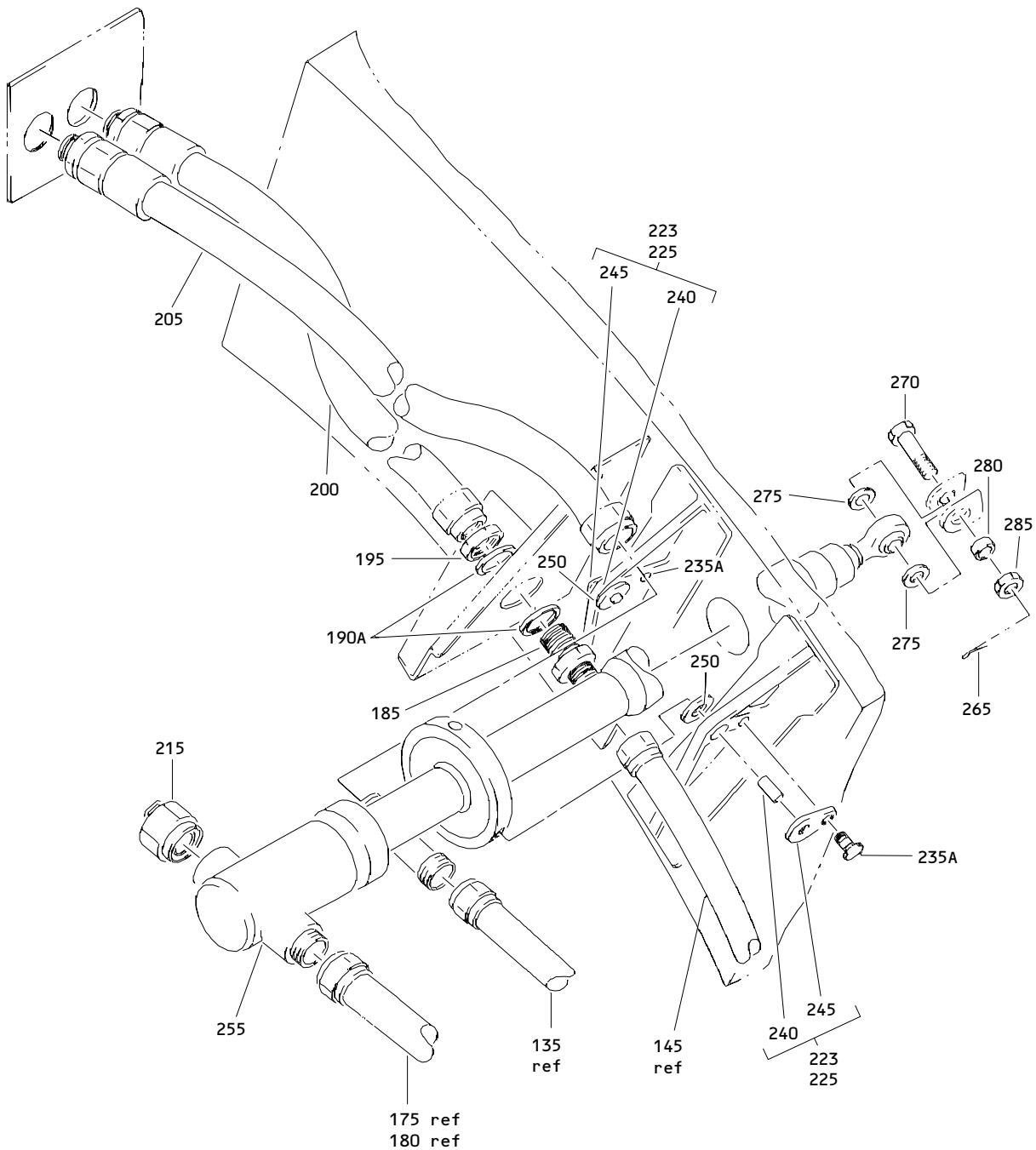
ILLUSTRATED PARTS LIST
 01.1 Page 1032F
 Nov 01/03



Thrust Reverser Actuator and Tubing Installation
Figure 3 (Sheet 3)

78-31-41

ILLUSTRATED PARTS LIST
01.1 Page 1032G
Nov 01/03

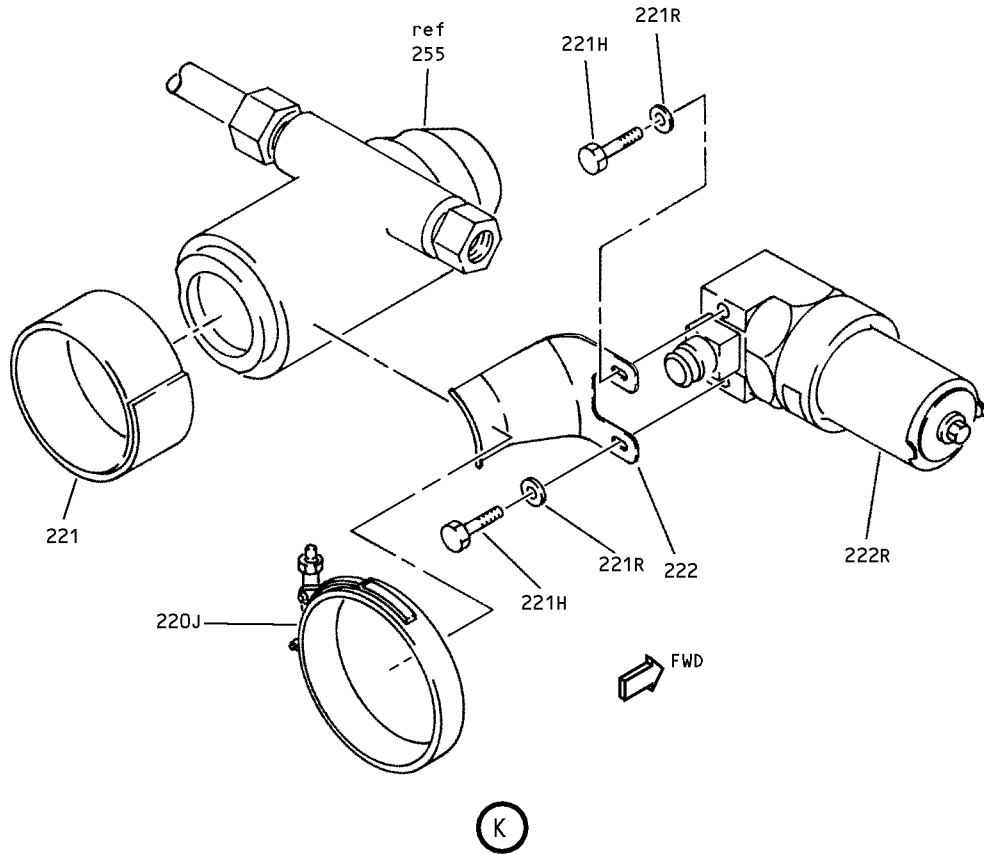
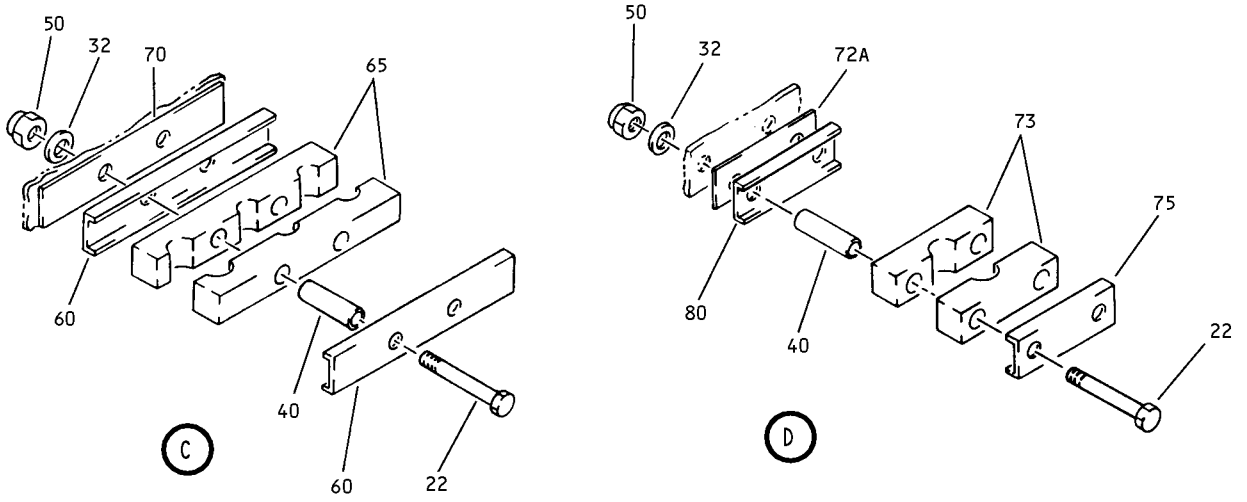


J

Thrust Reverser Actuator and Tubing Installation
 Figure 3 (Sheet 4)

78-31-41

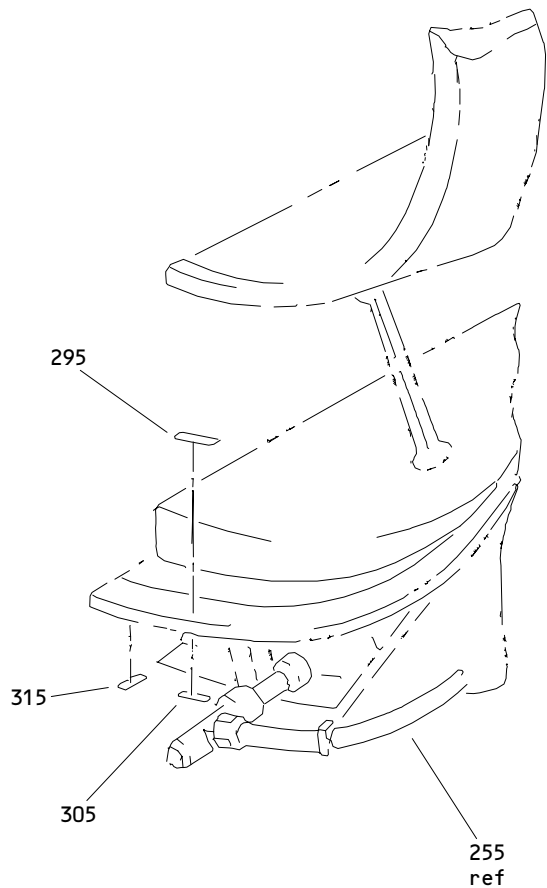
ILLUSTRATED PARTS LIST
 01.1 Page 1032H
 Nov 01/03



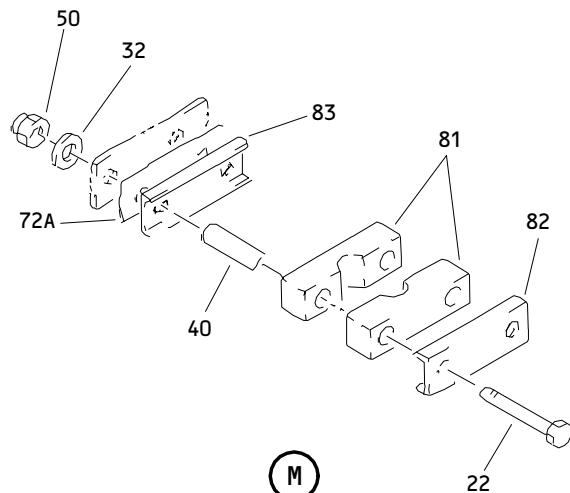
Thrust Reverser Actuator and Tubing Installation
Figure 3 (Sheet 5)

78-31-41

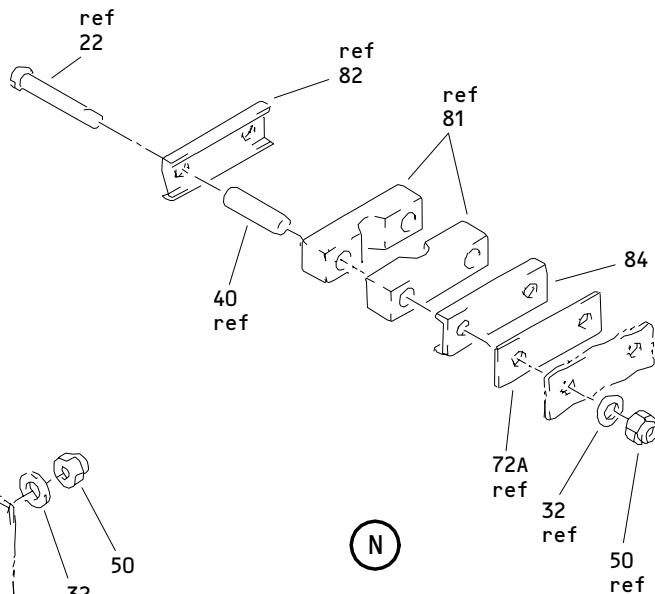
ILLUSTRATED PARTS LIST
01.1 Page 1032I
Nov 01/03



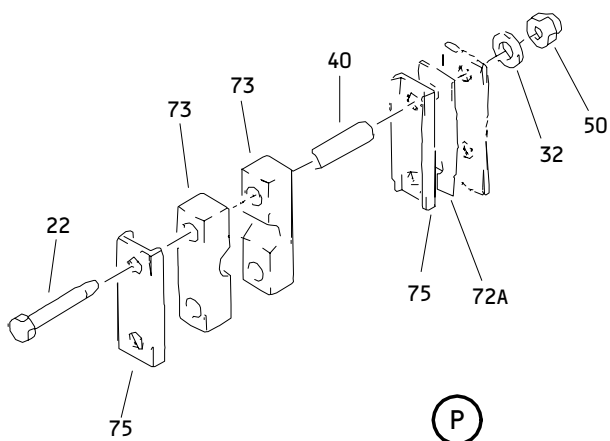
(L)



(M)



(N)



(P)

Thrust Reverser Actuator and Tubing Installation
 Figure 3 (Sheet 6)

78-31-41

ILLUSTRATED PARTS LIST
 01.101 Page 1032J
 Nov 01/03

 **BOEING**
COMPONENT
MAINTENANCE MANUAL

FIG. & ITEM	PART NO.	AIRLINE PART NUMBER	NOMENCLATURE	EFF CODE	QTY PER ASSY
03- -1	315T3602-15		1234567 ACTUATOR AND TUBING INSTL- THRUST REVERSER	B-E,G ,N-T, V-X,A N-AU, AW-AZ BQ,BS ,BU-B W,C A-CC, CG-CK CQ-CU ,DA, DC,DE ,DG,D J,DL DN,DQ ,DS,D Y,EA, EC,EE ,EG EJ,EL ,EN,E Q,ES, EU,EV ,EY EZY	RF
-1A	315T3602-17		ACTUATOR AND TUBING INSTL- THRUST REVERSER	A,K, FC,FE ,FG,F J,F M-FQ FW-FZ ,GE, GF,GJ ,GK	RF

78-31-41

ILLUSTRATED PARTS LIST
01.1 Page 1032K
Nov 01/03

FIG. & ITEM	PART NO.	AIRLINE PART NUMBER	NOMENCLATURE	EFF CODE	QTY PER ASSY
03-5	315T3602-16		1234567 ACTUATOR AND TUBING INSTL-THRUST REVERSER	F,H, Z-AC, BB-BP ,BR,B T BX-BZ ,CD,C E,C L-CP, CV-CZ DB,DD ,DF,D H,DK, DM,DR ,DT DZ,EB ,ED,E F,EH, EK,EM ,EP ER,ET ,EW,E X,FA, FB	RF
-5A	315T3602-18		ACTUATOR AND TUBING INSTL-THRUST REVERSER	J,L, FD,FF ,FH,F K,F S-FV GA-GD ,GG,G H,GL, GM	RF

78-31-41

 ILLUSTRATED PARTS LIST
 01.1 Page 1032L
 Nov 01/03

 **BOEING**
COMPONENT
MAINTENANCE MANUAL

FIG. & ITEM	PART NO.	AIRLINE PART NUMBER	NOMENCLATURE	EFF CODE	QTY PER ASSY
03-10	315T3602-5019		1234567 ACTUATOR AND TUBING INSTL- (LIMITED)	B-E,G ,N-T, V-X,A N-AU, AW-AZ BQ,BS ,BU-B W,C A-CC, CG-CK CQ-CU ,DA, DC,DE ,DG,D J,DL DN,DQ ,DS,D Y,EA, EC,EE ,EG EJ,EL ,EN,E Q,ES, EU,EV ,EY EZY	1

78-31-41

ILLUSTRATED PARTS LIST
01.1 Page 1032M
Nov 01/03

FIG. & ITEM	PART NO.	AIRLINE PART NUMBER	NOMENCLATURE	EFF CODE	QTY PER ASSY
03-10A	315T3602-5023		1234567 .ACTUATOR AND TUBING INSTL- (LIMITED)	B-E,G ,N-T, V-X,A N-AU, AW-AZ BQ,BS ,BU-B W,C A-CC, CG-CK CQ-CU ,DA, DC,DE ,DG,D J,DL DN,DQ ,DS,D Y,EA, EC,EE ,EG EJ,EL ,EN,E Q,ES, EU,EV ,EY EZY	1

78-31-41

 ILLUSTRATED PARTS LIST
 01.1 Page 1032N
 Nov 01/03

 **BOEING**
COMPONENT
MAINTENANCE MANUAL

FIG. & ITEM	PART NO.	AIRLINE PART NUMBER	NOMENCLATURE	EFF CODE	QTY PER ASSY
03-10B	315T3602-5025		1234567 ACTUATOR AND TUBING INSTL- (REWORK) (LIMITED)	B-E,G ,N-T, V-X,A N-AU, AW-AZ BQ,BS ,BU-B W,C A-CC, CG-CK CQ-CU ,DA, DC,DE ,DG,D J,DL DN,DQ ,DS,D Y,EA, EC,EE ,EG EJ,EL ,EN,E Q,ES, EU,EV ,EY EZY	1

78-31-41

ILLUSTRATED PARTS LIST
01.1 Page 10320
Nov 01/03

FIG. & ITEM	PART NO.	AIRLINE PART NUMBER	NOMENCLATURE	EFF CODE	QTY PER ASSY
03-10C	315T3602-5027		1234567 .ACTUATOR AND TUBING INSTL- (REWORK) (LIMITED)	B-E,G ,N-T, V-X,A N-AU, AW-AZ BQ,BS ,BU-B W,C A-CC, CG-CK CQ-CU ,DA, DC,DE ,DG,D J,DL DN,DQ ,DS,D Y,EA, EC,EE ,EG EJ,EL ,EN,E Q,ES, EU,EV ,EY EZY	1

78-31-41

 ILLUSTRATED PARTS LIST
 01.1 Page 1032P
 Nov 01/03

 **BOEING**
COMPONENT
MAINTENANCE MANUAL

FIG. & ITEM	PART NO.	AIRLINE PART NUMBER	NOMENCLATURE	EFF CODE	QTY PER ASSY
03-10D	315T3602-5031		1234567 ACTUATOR AND TUBING INSTL- (LIMITED)	B-E,G ,N-T, V-X,A N-AU, AW-AZ BQ,BS ,BU-B W,C A-CC, CG-CK CQ-CU ,DA, DC,DE ,DG,D J,DL DN,DQ ,DS,D Y,EA, EC,EE ,EG EJ,EL ,EN,E Q,ES, EU,EV ,EY EZY	1

78-31-41

ILLUSTRATED PARTS LIST
01.1 Page 1032Q
Nov 01/03

FIG. & ITEM	PART NO.	AIRLINE PART NUMBER	NOMENCLATURE 1234567	EFF CODE	QTY PER ASSY
03- -10E	315T3602-5035		.ACTUATOR AND TUBING INSTL- (LIMITED)	B-E,G ,N-T, V-X,A N-AU, AW-AZ BQ,BS ,BU-B W,C A-CC, CG-CK CQ-CU ,DA, DC,DE ,DG,D J,DL DN,DQ ,DS,D Y,EA, EC,EE ,EG EJ,EL ,EN,E Q,ES, EU,EV ,EY EZY	1
-10F	315T3602-5038		.ACTUATOR AND TUBING INSTL- (LIMITED)	A,K, FC,FE ,FG,F J,F M-FQ FW-FZ ,GE, GF,GJ ,GK	1
-10G	315T3602-5039		.ACTUATOR AND TUBING INSTL- (LIMITED)	A,K, FC,FE ,FG,F J,F M-FQ FW-FZ ,GE, GF,GJ ,GK	1

78-31-41

 ILLUSTRATED PARTS LIST
 01.1 Page 1032R
 Nov 01/03

 **BOEING**
COMPONENT
MAINTENANCE MANUAL

FIG. & ITEM	PART NO.	AIRLINE PART NUMBER	NOMENCLATURE	EFF CODE	QTY PER ASSY
03- -10H	315T3602-5037		1234567 .ACTUATOR AND TUBING INSTL- (LIMITED)	B-E,G ,N-T, V-X,A N-AU, AW-AZ BQ,BS ,BU-B W,C A-CC, CG-CK CQ-CU ,DA, DC,DE ,DG,D J,DL DN,DQ ,DS,D Y,EA, EC,EE ,EG EJ,EL ,EN,E Q,ES, EU,EV ,EY EZY	1
-10J	315T3602-5044		.ACTUATOR AND TUBING INSTL- (LIMITED)	A,K, FC,FE ,FG,F J,F M-FQ FW-FZ ,GE, GF,GJ ,GK	1

78-31-41

ILLUSTRATED PARTS LIST
01.1 Page 1032S
Nov 01/03

FIG. & ITEM	PART NO.	AIRLINE PART NUMBER	NOMENCLATURE	EFF CODE	QTY PER ASSY
03-10K	315T3602-5043		1234567 .ACTUATOR AND TUBING INSTL- (LIMITED)	B-E,G ,N-T, V-X,A N-AU, AW-AZ BQ,BS ,BU-B W,C A-CC, CG-CK CQ-CU ,DA, DC,DE ,DG,D J,DL DN,DQ ,DS,D Y,EA, EC,EE ,EG EJ,EL ,EN,E Q,ES, EU,EV ,EY EZY	1

78-31-41

 **BOEING**
COMPONENT
MAINTENANCE MANUAL

FIG. & ITEM	PART NO.	AIRLINE PART NUMBER	NOMENCLATURE	EFF CODE	QTY PER ASSY
03-15	315T3602-5020		1234567 ACTUATOR AND TUBING INSTL- (LIMITED)	F,H, Z-AL, BB-BP ,BR,B T BX-BZ ,CD,C E,C L-CP, CV-CZ DB,DD ,DF,D H,DK, DM,DR ,DT DZ,EB ,ED,E F,EH, EK,EM ,EP ER,ET ,EW,E X,FA, FB	1

78-31-41

ILLUSTRATED PARTS LIST
01.1 Page 1032U
Nov 01/03

FIG. & ITEM	PART NO.	AIRLINE PART NUMBER	NOMENCLATURE	EFF CODE	QTY PER ASSY
03-15A	315T3602-5024		1234567 ACTUATOR AND TUBING INSTL- (LIMITED)	F,H, Z-AL, BB-BP ,BR,B T BX-BZ ,CD,C E,C L-CP, CV-CZ DB,DD ,DF,D H,DK, DM,DR ,DT DZ,EB ,ED,E F,EH, EK,EM ,EP ER,ET ,EW,E X,FA, FB	1

78-31-41

 ILLUSTRATED PARTS LIST
 01.1 Page 1032V
 Nov 01/03

 **BOEING**
COMPONENT
MAINTENANCE MANUAL

FIG. & ITEM	PART NO.	AIRLINE PART NUMBER	NOMENCLATURE	EFF CODE	QTY PER ASSY
03-15B	315T3602-5026		1234567 ACTUATOR AND TUBING INSTL- (REWORK) (LIMITED)	F,H, Z-AL, BB-BP ,BR,B T BX-BZ ,CD,C E,C L-CP, CV-CZ DB,DD ,DF,D H,DK, DM,DR ,DT DZ,EB ,ED,E F,EH, EK,EM ,EP ER,ET ,EW,E X,FA, FB	1

78-31-41

ILLUSTRATED PARTS LIST
01.1 Page 1032W
Nov 01/03

FIG. & ITEM	PART NO.	AIRLINE PART NUMBER	NOMENCLATURE	EFF CODE	QTY PER ASSY
03-15C	315T3602-5028		1234567 .ACTUATOR AND TUBING INSTL- (REWORK) (LIMITED)	F,H, Z-AL, BB-BP ,BR,B T BX-BZ ,CD,C E,C L-CP, CV-CZ DB,DD ,DF,D H,DK, DM,DR ,DT DZ,EB ,ED,E F,EH, EK,EM ,EP ER,ET ,EW,E X,FA, FB	1

78-31-41

 ILLUSTRATED PARTS LIST
 01.1 Page 1032X
 Nov 01/03

BOEING
COMPONENT
MAINTENANCE MANUAL

FIG. & ITEM	PART NO.	AIRLINE PART NUMBER	NOMENCLATURE 1234567	EFF CODE	QTY PER ASSY
03- -15D	315T3602-5032		.ACTUATOR AND TUBING INSTL- (LIMITED)	F,H, Z-AL, BB-BP ,BR,B T BX-BZ ,CD,C E,C L-CP, CV-CZ DB,DD ,DF,D H,DK, DM,DR ,DT DZ,EB ,ED,E F,EH, EK,EM ,EP ER,ET ,EW,E X,FA, FB	1
-15E	315T3602-5040		.ACTUATOR AND TUBING INSTL- (LIMITED)	J,L, FD,FF ,FH,F K,F S-FV GA-GD ,GG,G H,GL, GM	1

78-31-41

ILLUSTRATED PARTS LIST
01.1 Page 1032Y
Nov 01/03

FIG. & ITEM	PART NO.	AIRLINE PART NUMBER	NOMENCLATURE 1234567	EFF CODE	QTY PER ASSY
03- -15F	315T3602-5041		.ACTUATOR AND TUBING INSTL- (LIMITED)	J,L, FD,FF ,FH,F K,F S-FV GA-GD ,GG,G H,GL, GM	1
-15G	315T3602-5036		.ACTUATOR AND TUBING INSTL- (LIMITED)	F,H, Z-AL, BB-BP ,BR,B T BX-BZ ,CD,C E,C L-CP, CV-CZ DB,DD ,DF,D H,DK, DM,DR ,DT DZ,EB ,ED,E F,EH, EK,EM ,EP ER,ET ,EW,E X,FA, FB	1

78-31-41

 ILLUSTRATED PARTS LIST
 01.1 Page 1032Z
 Nov 01/03

BOEING
COMPONENT
MAINTENANCE MANUAL

FIG. & ITEM	PART NO.	AIRLINE PART NUMBER	NOMENCLATURE	EFF CODE	QTY PER ASSY
03- -15H	315T3602-5042		1234567 .ACTUATOR AND TUBING INSTL- (LIMITED)	F,H, Z-AL, BB-BP ,BR,B T BX-BZ ,CD,C E,C L-CP, CV-CZ DB,DD ,DF,D H,DK, DM,DR ,DT DZ,EB ,ED,E F,EH, EK,EM ,EP ER,ET ,EW,E X,FA, FB	1
-15J	315T3602-5045		.ACTUATOR AND TUBING INSTL- (LIMITED)	J,L, FD,FF ,FG,F J,F S-FV GA-GD ,GG,G H,GL, GM	1

78-31-41

ILLUSTRATED PARTS LIST
01.1 Page 1033
Nov 01/03

FIG. & ITEM	PART NO.	AIRLINE PART NUMBER	NOMENCLATURE 1234567	EFF CODE	QTY PER ASSY
03-20	BACB30LM3-22		..BOLT	A-FK, FM-FQ ,FS-G M	6
22	BACB30LM3-22		..BOLT- (USED ON ITEMS 10, 10A, 10B, 10C, 10D, 10E, 10F 10G, 10H, 15, 15A, 15B 15C, 15D, 15E, 15F, 15G)	A-FK, FM-FQ ,FS-G M	10
-22A	NAS6703-22		..BOLT- (OPT ITEM 22B) (USED ON ITEMS 10J, 10K, 15H, 15J)	A-FK, FM-FQ ,FS-G M	10
-22B	NAS6703-20		..BOLT- (OPT ITEM 22A) (USED ON ITEMS 10J, 10K, 15H, 15J)	A-FK, FM-FQ ,FS-G M	10
25	BACB30LM3-21		..BOLT- (USED ON ITEMS 10, 10A, 10B, 10C, 10D)	B-E,G ,N-T, V-X,A N-AU, AW-AZ BQ,BS ,BU-B W,C A-CC, CG-CK CQ-CU ,DA, DC,DE ,DG,D J,DL DN,DQ ,DS,D Y,EA, EC,EE ,EG EJ,EL ,EN,E Q,ES, EU,EV ,EY EZY	2

78-31-41

 ILLUSTRATED PARTS LIST
 01.1 Page 1034
 Nov 01/03

BOEING
COMPONENT
MAINTENANCE MANUAL

FIG. & ITEM	PART NO.	AIRLINE PART NUMBER	NOMENCLATURE 1234567	EFF CODE	QTY PER ASSY
03-30	AN960PD10		..WASHER	A-FK, FM-FQ ,FS-G M	6
32	AN960PD10		..WASHER- (USED ON ITEMS 10, 10A, 10B, 10C, 10D, 10E, 10F 10G, 10H, 15, 15A, 15B 15C, 15D, 15E, 15F, 15G)	A-FK, FM-FQ ,FS-G M	10
-32A	NAS1149D0363J		..WASHER- (USED ON ITEMS 10J, 10K, 15H, 15J)	A-FK, FM-FQ ,FS-G M	10
35	AN960PD10		..WASHER- (USED ON ITEMS 10, 10A, 10B, 10C, 10D)	B-E,G ,N-T, V-X,A N-AU, AW-AZ BQ,BS ,BU-B W,C A-CC, CG-CK CQ-CU ,DA, DC,DE ,DG,D J,DL DN,DQ ,DS,D Y,EA, EC,EE ,EG EJ,EL ,EN,E Q,ES, EU,EV ,EY EZY	2

78-31-41

ILLUSTRATED PARTS LIST
01.1 Page 1034A
Nov 01/03

FIG. & ITEM	PART NO.	AIRLINE PART NUMBER	NOMENCLATURE	EFF CODE	QTY PER ASSY
			1234567		
03-40	NAS43DD3-68		..SPACER	A-FK, FM-FQ ,FS-G M	16
45	NAS43DD3-68		..SPACER- (USED ON ITEMS 10, 10A 10B, 10C, 10D)	B-E,G ,N-T, V-X,A N-AU, AW-AZ BQ,BS ,BU-B W,C A-CC, CG-CK CQ-CU ,DA, DC,DE ,DG,D J,DL DN,DQ ,DS,D Y,EA, EC,EE ,EG EJ,EL ,EN,E Q,ES, EU,EV ,EY EZY	2
50 50A	H01-3BAC H52732-3CM		DELETED ..NUT- (V15653) (SPEC BACN10YR3CM) (OPT PLH53CM (V62554))	A-FK, FM-FQ ,FS-G M	16

78-31-41

 ILLUSTRATED PARTS LIST
 01.1 Page 1034B
 Nov 01/03

BOEING
COMPONENT
MAINTENANCE MANUAL

FIG. & ITEM	PART NO.	AIRLINE PART NUMBER	NOMENCLATURE 1234567	EFF CODE	QTY PER ASSY
03-55	BRH10C3M		..NUT- (V52828) (SPEC BACN10JC3CM) (OPT T6C1032JM (V11815)) (OPT 97E02 (V80539)) (OPT 109LH9075-3W (V72962)) (OPT VN303D02 (V92215)) (OPT NS202101SE02 (V80539)) (OPT H01-3BAC (V15653)) (USED ON ITEMS 10, 10A, 10B, 10C, 10D)	B-E,G ,N-T, V-X,A N-AU, AW-AZ BQ,BS ,BU-B W,C A-CC, CG-CK CQ-CU ,DA, DC,DE ,DG,D J,DL DN,DQ ,DS,D Y,EA, EC,EE ,EG EJ,EL ,EN,E Q,ES, EU,EV ,EY EZY	2
60	315T3635-8		..CHANNEL- (USED ON ITEMS 10, 10A, 10B, 10C, 10D, 10E, 10F 10G, 10H, 15, 15A, 15B 15C, 15D, 15E, 15F, 15G)	A-FK, FM-FQ ,FS-G M	4
-62	315T3635-35		..CHANNEL- (USED ON ITEMS 10J, 10K, 15H, 15J)	A-FK, FM-FQ ,FS-G M	2
-63	315T3635-36		..CHANNEL- (USED ON ITEMS 10J, 10K, 15H, 15J)	A-FK, FM-FQ ,FS-G M	2
65	315T3635-7		..FAIRLEAD- (USED ON ITEMS 10, 10A, 10B, 10C, 10D, 10E, 10F, 10G, 10H, 15, 15A, 15B, 15C, 15D, 15E, 15F, 15G)	A-FK, FM-FQ ,FS-G M	4

78-31-41

ILLUSTRATED PARTS LIST
01.1 Page 1034C
Nov 01/03

FIG. & ITEM	PART NO.	AIRLINE PART NUMBER	NOMENCLATURE 1234567	EFF CODE	QTY PER ASSY
03-67	315T3635-27		..FAIRLEAD- (USED ON ITEMS 10J, 10K, 15H, 15J)	A-FK, FM-FQ ,FS-G M	2
-68	315T3635-28		..FAIRLEAD- (USED ON ITEMS 10J, 10K, 15H, 15J)	A-FK, FM-FQ ,FS-G M	2
70	BACS40R6F44F		..SHIM	A-FK, FM-FQ ,FS-G M	AR
72 72A	BACS40R6F44F BACS40R6F22F		DELETED ..SHIM	A-FK, FM-FQ ,FS-G M	AR
73	315T3635-3		..FAIRLEAD- (315T3635-24 (QTY 2) CAN REPLACE BUT NOT BE REPLACED BY 315T3635-3 (QTY 2) PROVIDED THAT (2) NAS543DD3-68FC SPACERS TOGETHER WITH (2) NAS6703-22 (OR BACB30LM3-22) BOLTS ARE ALSO USED. ALTERNATIVELY 315T3635-23 TOGETHER WITH 315T3635-24 CAN REPLACE BUT NOT BE REPLACED BY 315T3635-3 (QTY 2) PROVIDED THAT (2) NAS43DD3-68FC SPACERS ARE ALSO REPLACED BY NAS43DD3-60 SPACERS) (USED ON ITEMS 10, 10A, 10B, 10C, 10D, 10E, 10F 10G, 10H, 15, 15A, 15B 15C, 15D, 15E, 15F, 15G)	A-FK, FM-FQ ,FS-G M	4
75	315T3635-4		..CHANNEL- (USED ON ITEMS 10, 10A, 10B, 10C, 10D, 10E, 10F 10G, 10H, 15, 15A, 15B 15C, 15D, 15E, 15F, 15G)	A-FK, FM-FQ ,FS-G M	3

78-31-41

 ILLUSTRATED PARTS LIST
 01.1 Page 1034D
 Nov 01/03

 **BOEING**
COMPONENT
MAINTENANCE MANUAL

FIG. & ITEM	PART NO.	AIRLINE PART NUMBER	NOMENCLATURE 1234567	EFF CODE	QTY PER ASSY
03-80	315T3635-20		..CHANNEL- (USED ON ITEMS 10, 10A, 10B, 10C, 10D, 10E, 10F, 10G, 10H, 15, 15A, 15B, 15C, 15D, 15E, 15F, 15G)	A-FK, FM-FQ, FS-G M	1
-80A	315T3635-39		..CHANNEL- (USED ON ITEMS 10J, 10K, 15H, 15J)	A-FK, FM-FQ, FS-G M	1
81	315T3635-3		..FAIRLEAD- (315T3635-24 (QTY 2) CAN REPLACE BUT NOT BE REPLACED BY 315T3635-3 (QTY 2) PROVIDED THAT (2) NAS543DD3-68FC SPACERS TOGETHER WITH (2) NAS6703-22 (OR BACB30LM3-22) BOLTS ARE ALSO USED. ALTERNATIVELY 315T3635-23 TOGETHER WITH 315T3635-24 CAN REPLACE BUT NOT BE REPLACED BY 315T3635-3 (QTY 2) PROVIDED THAT (2) NAS43DD3-68FC SPACERS ARE ALSO REPLACED BY NAS43DD3-60 SPACERS) (USED ON ITEMS 10, 10A, 10B, 10C, 10D, 10E, 10F, 10G, 10H, 15, 15A, 15B, 15C, 15D, 15E, 15F, 15G)	A-FK, FM-FQ, FS-G M	2
82	315T3635-4		..CHANNEL- (USED ON ITEMS 10, 10A, 10B, 10C, 10D, 10E, 10F, 10G, 10H, 15, 15A, 15B, 15C, 15D, 15E, 15F, 15G)	A-FK, FM-FQ, FS-G M	1

78-31-41

ILLUSTRATED PARTS LIST
01.1 Page 1034E
Nov 01/03

FIG. & ITEM	PART NO.	AIRLINE PART NUMBER	NOMENCLATURE	EFF CODE	QTY PER ASSY
03-83	315T3635-4		1234567 ..CHANNEL	A-E,G ,K, N-T, V-X,A N-AU AW-AZ ,BQ,B S,B U-BW, CA-CC CG-CK ,CQ-C U,DA, DC,DE ,DG DJ,DL ,DN,D Q,DS, DY,EA ,EC EE,EG ,EJ,E L,EN, EQ,ES ,EU EV,EY ,EZ, FC,FE ,FG,F J FM-FQ ,FW-F Z,GE, GF,GJ ,GK	1

78-31-41

 ILLUSTRATED PARTS LIST
 01.1 Page 1034F
 Nov 01/03

 **BOEING**
COMPONENT
MAINTENANCE MANUAL

FIG. & ITEM	PART NO.	AIRLINE PART NUMBER	NOMENCLATURE	EFF CODE	QTY PER ASSY
03-84	315T3635-20		1234567 ..CHANNEL	F,H,J ,L, Z-AC, BB-BP ,BR,B T BX-BZ ,CD,C E,C L-CP, CV-CZ DB,DD ,DF,D H,DK, DM,DR ,DT DZ,EB ,ED,E F,EH, EK,EM ,EP ER,ET ,EW,E X,FA, FB,FD ,FF FH,FK ,FS-F V,G A-GD, GG,GH GL,GM	1

78-31-41

ILLUSTRATED PARTS LIST
01.1 Page 1034G
Nov 01/03

FIG. & ITEM	PART NO.	AIRLINE PART NUMBER	NOMENCLATURE	EFF CODE	QTY PER ASSY
03-84A	315T3635-39		1234567 ..CHANNEL	F,H,J ,L, Z-AC, BB-BP ,BR,B T BX-BZ ,CD,C E,C L-CP, CV-CZ DB,DD ,DF,D H,DK, DM,DR ,DT DZ,EB ,ED,E F,EH, EK,EM ,EP ER,ET ,EW,E X,FA, FB,FD ,FF FH,FK ,FS-F V,G A-GD, GG,GH GL,GM	1

78-31-41

 ILLUSTRATED PARTS LIST
 01.1 Page 1034H
 Nov 01/03

 **BOEING**
COMPONENT
MAINTENANCE MANUAL

FIG. & ITEM	PART NO.	AIRLINE PART NUMBER	NOMENCLATURE	EFF CODE	QTY PER ASSY
03-85	315T3635-22		1234567 ..CHANNEL- (USED ON ITEMS 10, 10A, 10B, 10C, 10D)	B-E,G ,N-T, V-X,A N-AU, AW-AZ BQ,BS ,BU-B W,C A-CC, CG-CK CQ-CU ,DA, DC,DE ,DG,D J,DL DN,DQ ,DS,D Y,EA, EC,EE ,EG EJ,EL ,EN,E Q,ES, EU,EV ,EY EZY	2

78-31-41

ILLUSTRATED PARTS LIST
01.1 Page 1034I
Nov 01/03

FIG. & ITEM	PART NO.	AIRLINE PART NUMBER	NOMENCLATURE 1234567	EFF CODE	QTY PER ASSY
03-90 95	315T3635-3 315T3635-21		DELETED ..FAIRLEAD- (USED ON ITEMS 10, 10A, 10B, 10C, 10D)	B-E,G ,N-T, ,V-X,A ,N-AU, ,AW-AZ ,BQ,BS ,BU-B ,W,C ,A-CC, ,CG-CK ,CQ-CU ,DA, ,DC,DE ,DG,D ,J,DL ,DN,DQ ,DS,D ,Y,EA, ,EC,EE ,EG ,EJ,EL ,EN,E ,Q,ES, ,EU,EV ,EY ,EZY	2
100 105	BACS40R6F22F 315T3635-6		DELETED ..CHANNEL- (USED ON ITEMS 10, 10A, 10B, 10C, 10D, 10E, 10F 10G, 10H, 15, 15A, 15B 15C, 15D, 15E, 15F, 15G)	A-FK, ,FM-FQ ,FS-G ,M	4
105A 105B	315T3635-33 315T3635-34		DELETED DELETED		

78-31-41

 ILLUSTRATED PARTS LIST
 01.1 Page 1034J
 Nov 01/03

 **BOEING**
COMPONENT
MAINTENANCE MANUAL

FIG. & ITEM	PART NO.	AIRLINE PART NUMBER	NOMENCLATURE 1234567	EFF CODE	QTY PER ASSY
03-107	315T3635-33		..CHANNEL- (USED ON ITEMS 10J, 10K, 15H, 15J)	A-FK, FM-FQ ,FS-G M	2
108	315T3635-34		..CHANNEL- (USED ON ITEMS 10J, 10K, 15H, 15J)	A-FK, FM-FQ ,FS-G M	2
110	315T3635-5		..FAIRLEAD- (315T3635-25 (1 EA) T/W 315T3635-26 (1 EA) I/W 315T3635-5 (2 EA)) (USED ON ITEMS 10, 10A, 10B, 10C, 10D, 10E, 10F 10G, 10H, 15, 15A, 15B 15C, 15D, 15E, 15F, 15G)	A-FK, FM-FQ ,FS-G M	4
110A	315T3635-25		DELETED		
110B	315T3635-26		DELETED		
112	315T3635-25		..FAIRLEAD- (315T3635-25 (1 EA) T/W 315T3635-26 (1 EA) I/W 315T3635-5 (2 EA)) (USED ON ITEMS 10J, 10K, 15H, 15J)	A-FK, FM-FQ ,FS-G M	2
113	315T3635-26		..FAIRLEAD- (315T3635-25 (1 EA) T/W 315T3635-26 (1 EA) I/W 315T3635-5 (2 EA)) (USED ON ITEMS 10J, 10K, 15H, 15J)	A-FK, FM-FQ ,FS-G M	2
115	BACS40R6F24F		..SHIM	A-FK, FM-FQ ,FS-G M	AR
120	315T3635-2		..CHANNEL- (USED ON ITEMS 10, 10A, 10B, 10C, 10D, 10E, 10F, 10G, 10H, 15, 15A, 15B 15C, 15D, 15E, 15F, 15G)	A-FK, FM-FQ ,FS-G M	2
120A	315T3635-37		DELETED		
120B	315T3635-38		DELETED		

78-31-41

ILLUSTRATED PARTS LIST
01.1 Page 1034K
Nov 01/03

FIG. & ITEM	PART NO.	AIRLINE PART NUMBER	NOMENCLATURE 1234567	EFF CODE	QTY PER ASSY
03-122	315T3635-37		..CHANNEL- (USED ON ITEMS 10J, 10K, 15H, 15J)	A-FK, FM-FQ ,FS-G M	1
123	315T3635-38		..CHANNEL- (USED ON ITEMS 10J, 10K, 15H, 15J)	A-FK, FM-FQ ,FS-G M	1
125	315T3635-9		..FAIRLEAD- (315T3635-29 (1 EA) T/W 315T3635-30 (1 EA) I/W 315T3635-9 (2 EA)) (USED ON ITEMS 10, 10A, 10B, 10C, 10D, 10E, 10F, 10G, 10H, 15, 15A, 15B 15C, 15D, 15E, 15F, 15G)	A-FK, FM-FQ ,FS-G M	2
125A	315T3635-29		DELETED		
125B	315T3635-30		DELETED		
127	315T3635-29		..FAIRLEAD- (315T3635-29 (1 EA) T/W 315T3635-30 (1 EA) I/W 315T3635-9 (2 EA)) (USED ON ITEMS 10J, 10K, 15H, 15K)	A-FK, FM-FQ ,FS-G M	1
128	315T3635-30		..FAIRLEAD- (315T3635-29 (1 EA) T/W 315T3635-30 (1 EA) I/W 315T3635-9 (2 EA)) (USED ON ITEMS 10J, 10K, 15H, 15J)	A-FK, FM-FQ ,FS-G M	1

78-31-41

 ILLUSTRATED PARTS LIST
 01.1 Page 1034L
 Nov 01/03

BOEING
COMPONENT
MAINTENANCE MANUAL

FIG. & ITEM	PART NO.	AIRLINE PART NUMBER	NOMENCLATURE	EFF CODE	QTY PER ASSY
03-130	BACS40R6F34F		1234567 ..SHIM	A-FK, FM-FQ, FS-G M	AR
135	315T3602-3		..TUBE ASSY- (MFD FROM TUBING CRES 21-6-9 BMS7-185 F-25.01 0.375 IN. OD 0.020 IN. WALL 66.0 IN. LG)	A-E,G K, N-T, V-X,A N-AU AW-AZ BQ,B S,B U-BW, CA-CC CG-CK CQ-C U,DA, DC,DE DG DJ,DL DN,D Q,DS, DY,EA EC EE,EG EJ,E L,EN, EQ,ES EU EV,EY EZ, FC,FE FG,F J FM-FQ FW-F Z,GE, GF,GJ GK	1

78-31-41

ILLUSTRATED PARTS LIST
01.1 Page 1034M
Nov 01/03

FIG. & ITEM	PART NO.	AIRLINE PART NUMBER	NOMENCLATURE	EFF CODE	QTY PER ASSY
03-140	315T3602-11		1234567 ..TUBE ASSY- (MFD FROM TUBING CRES 21-6-9 BMS7-185 F-25.01 0.375 IN. OD 0.020 IN. WALL 66.0 IN. LG)	F,H,J ,L, Z-AL, BB-BP ,BR,B T BX-BZ ,CD,C E,C L-CP, CV-CZ DB,DD ,DF,D H,DK, DM,DR ,DT DZ,EB ,ED,E F,EH, EK,EM ,EP ER,ET ,EW,E X,FA, FB,FD ,FF FH,FK ,FS-F V,G A-GD, GG,GH GL,GM	1

78-31-41

 ILLUSTRATED PARTS LIST
 01.1 Page 1034N
 Nov 01/03

 **BOEING**
COMPONENT
MAINTENANCE MANUAL

FIG. & ITEM	PART NO.	AIRLINE PART NUMBER	NOMENCLATURE	EFF CODE	QTY PER ASSY
03-145	315T3602-9		1234567 ..TUBE ASSY- (MFD FROM TUBING CRES 21-6-9 BMS7-185 F-25.01 0.375 IN. OD 0.020 IN. WALL 72.0 IN. LG)	A-E,G ,K, N-T, V-X,A N-AU AW-AZ ,BQ,B S,B U-BW, CA-CC CG-CK ,CQ-C U,DA, DC,DE ,DG DJ,DL ,DN,D Q,DS, DY,EA ,EC EE,EG ,EJ,E L,EN, EQ,ES ,EU EV,EY ,EZ, FC,FE ,FG,F J FM-FQ ,FW-F Z,GE, GF,GJ ,GK	1

78-31-41

ILLUSTRATED PARTS LIST
01.1 Page 10340
Nov 01/03

FIG. & ITEM	PART NO.	AIRLINE PART NUMBER	NOMENCLATURE	EFF CODE	QTY PER ASSY
03-150	315T3602-4		1234567 ..TUBE ASSY- (MFD FROM TUBING CRES 21-6-9 BMS7-185 F-25.01 0.375 IN. OD 0.020 IN. WALL 66.0 IN. LG)	F,H,J ,L, Z-AL, BB-BP ,BR,B T BX-BZ ,CD,C E,C L-CP, CV-CZ DB,DD ,DF,D H,DK, DM,DR ,DT DZ,EB ,ED,E F,EH, EK,EM ,EP ER,ET ,EW,E X,FA, FB,FD ,FF FH,FK ,FS-F V,G A-GD, GG,GH GL,GM A-FK, FM-FQ ,FS-G M	1
155	315T3602-7		..TUBE ASSY- (MFD FROM TUBING CRES 21-6-9 BMS7-185 F-25.01 0.375 IN. OD 0.020 IN. WALL 66.0 IN. LG)		1

78-31-41

 ILLUSTRATED PARTS LIST
 01.1 Page 1034P
 Nov 01/03

 **BOEING**
COMPONENT
MAINTENANCE MANUAL

FIG. & ITEM	PART NO.	AIRLINE PART NUMBER	NOMENCLATURE 1234567	EFF CODE	QTY PER ASSY
03- -160	DB0S13BX06H		...SLEEVE- (V14798) (SPEC BACS13BX06H) (OPT 2-02903-06H (V11328)) (OPT 35235V06 (V08199)) (OPT AP2097-06H (V01673)) (OPT AFP175V06 (V30974))	A-FK, FM-FQ ,FS-G M	2
-165	BACN10CS06J		...NUT	A-FK, FM-FQ ,FS-G M	2
170	BACE21AU0606		..ELBOW	A-FK, FM-FQ ,FS-G M	1
175	4242200-1		..SHAFT-FLEX (V93835) (SPEC S315T360-5)	A-FK, FM-FQ ,FS-G M	2
180	4242100-11		..TUBING-ROTARY FLEX (V93835) (SPEC S315T360-35)	A-FK, FM-FQ ,FS-G M	2

78-31-41

ILLUSTRATED PARTS LIST
01.1 Page 1034Q
Nov 01/03

FIG. & ITEM	PART NO.	AIRLINE PART NUMBER	NOMENCLATURE 1234567	EFF CODE	QTY PER ASSY
03-185	AFP238-0806J		..UNION- (V30974) (SPEC BACU24AA0806J) (OPT ER832-0806J (V50948)) (OPT LER832-0806J (V11328)) (OPT 2-010890806J (V11328)) (OPT APX832-0806J (V01673)) (OPT DBOU24AA0806J (V61498)) (OPT FER1579-0806J (V14397)) (OPT US2113-0806J (V50808)) (OPT APX832J0806 (V01673))	A-FK, FM-FQ, FS-G M	1
190 190A	AN960PD1216 AN960KD1216		DELETED ..WASHER- (USED ON ITEMS 10, 10A, 10B, 10C, 10D, 15, 15A, 15B, 15C, 15D)	B-H, N-T, V-X, Z-AL, AN-AU AW-AZ BB-C E,C G-DN, DQ-DT DY-FB	2

78-31-41

 ILLUSTRATED PARTS LIST
 01.1 Page 1034R
 Nov 01/03

 **BOEING**
COMPONENT
MAINTENANCE MANUAL

FIG. & ITEM	PART NO.	AIRLINE PART NUMBER	NOMENCLATURE 1234567	EFF CODE	QTY PER ASSY
03-190B	NAS1149D1290J		..WASHER- (USED ON ITEMS 10E, 10F, 10G, 10H, 10J, 10K, 15E, 15F, 15G, 15H, 15J)	A-FK, FM-FQ ,FS-G M	2
195	AN924-8J		..NUT	A-FK, FM-FQ ,FS-G M	1
200	AS152G0151DDN		..HOSE ASSY- (V00624) (SPEC BACH6P0151DDN) (OPT B464DDD0181CN (V03925)) (OPT R8963P0181DDN (V06851)) (OPT 96854P0181CCN (V78570)) (OPT AS119G0151DDN (V00624)) (OPT R8947P0151DDN (V06851)) (OPT R8947P0151DDN (V50599)) (OPT R8963P0151DDN (V06851))	A-FK, FM-FQ ,FS-G M	1
205	AS152G0181CCN		..HOSE ASSY- (V00624) (SPEC BACH6P0181CCN) (OPT B464DDD0181CN (V03925)) (OPT R8963P0181CCN (V06851)) (OPT 96854P0181CCN (V78570)) (OPT AS119G0181CCN (V00624)) (OPT R8947P0181CCN (V06851)) (OPT R8947P0181CCN (V50599)) (OPT R8963P0181CCN (V06851))	A-FK, FM-FQ ,FS-G M	1

78-31-41

ILLUSTRATED PARTS LIST
01.1 Page 1034S
Nov 01/03

FIG. & ITEM	PART NO.	AIRLINE PART NUMBER	NOMENCLATURE	EFF CODE	QTY PER ASSY
03-210	AP1008-06J		1234567 ..CAP ASSY- (V01673) (SPEC BACC14AD06J) (OPT DBOC14AD06J (V14798)) (OPT FER22661-06J (V14397)) (OPT 2-02813-06J (V11328)) (OPT 4690009-06J (V50948)) (OPT AFP241-06J (V30974)) (OPT US2103-06J (V50808))	A-FK, FM-FQ, FS-G M	1
215	AP1008-12J		..CAP ASSY- (V01673) (SPEC BACC14AD12J) (OPT DBOC14AD12J (V14798)) (OPT FER22661-12J (V14397)) (OPT 2-02813-12J (V11328)) (OPT 4690009-12J (V50948)) (OPT AFP241-12J (V30974)) (OPT US2103-12J (V50808))	A-FK, FM-FQ, FS-G M	1

78-31-41

 ILLUSTRATED PARTS LIST
 01.1 Page 1034T
 Nov 01/03

BOEING
COMPONENT
MAINTENANCE MANUAL

FIG. & ITEM	PART NO.	AIRLINE PART NUMBER	NOMENCLATURE 1234567	EFF CODE	QTY PER ASSY
03-220	4242300-1		..ADAPTER-MANUAL (V93835) (SPEC S315T360-7) (PRE SB 747-78-2155)	B-H, N-T, V-X, Z-AL, AN-AU AW-AZ ,BB-C E,C G-CP, CR-CY DA-DH ,DQ-E F	1
-220A 220H 220J	TY1878-21 MBC5825275LM BACC10GW0275-OE		DELETED DELETED ..CLAMP- (OPT ITEM 220K)	A,J-L ,CQ,C Z,D J-DP, EG-FK FM-FQ ,FS-G M	1
-220K	BACC10BN288L5ME		..CLAMP- (OPT ITEM 220J)	A,J-L ,CQ,C Z,D J-DP, EG-FK FM-FQ ,FS-G M	1
-220L	BACC10BN288L5ME		..CLAMP- (POST SB 747-78-2155)	B-H, N-T, V-X, Z-AL, AN-AU AW-AZ ,BB-C E,C G-CP, CR-CY DA-DH ,DQ-E F	1

78-31-41

ILLUSTRATED PARTS LIST
01.1 Page 1034U
Nov 01/03

FIG. & ITEM	PART NO.	AIRLINE PART NUMBER	NOMENCLATURE 1234567	EFF CODE	QTY PER ASSY
03-221	315T4717-1		..GASKET	A, J-L , CQ, C Z, D J-DP, EG-FK FM-FQ , FS-G M	1
-221A	315T4717-1		..GASKET- (POST SB 747-78-2155)	B-H, N-T, V-X, Z-AL, AN-AU AW-AZ , BB-C E, C G-CP, CR-CY DA-DH , DQ-E F	1
221H	NAS6703U1		..BOLT	A, J-L , CQ, C Z, D J-DP, EG-FK FM-FQ , FS-G M	2

78-31-41

 ILLUSTRATED PARTS LIST
 01.1 Page 1034V
 Nov 01/03

BOEING
COMPONENT
MAINTENANCE MANUAL

FIG. & ITEM	PART NO.	AIRLINE PART NUMBER	NOMENCLATURE 1234567	EFF CODE	QTY PER ASSY
03- -221J	NAS6703U1		..BOLT- (POST SB 747-78-2155)	B-H, N-T, V-X, Z-AL, AN-AU AW-AZ ,BB-C E,C G-CP, CR-CY DA-DH ,DQ-E F	2
221R	BACW10BP3ACU		..WASHER	A,J-L ,CQ,C Z,D J-DP, EG-FK FM-FQ ,FS-G M	2
-221S	BACW10BP3ACU		..WASHER- (POST SB 747-78-2155)	B-H, N-T, V-X, Z-AL, AN-AU AW-AZ ,BB-C E,C G-CP, CR-CY DA-DH ,DQ-E F	2

78-31-41

ILLUSTRATED PARTS LIST
01.1 Page 1034W
Nov 01/03

FIG. & ITEM	PART NO.	AIRLINE PART NUMBER	NOMENCLATURE	EFF CODE	QTY PER ASSY
03-222	315T4716-1		1234567 ..BRACKET	A,K,C Q,DJ, DL, DN ,EG,E J,EL EN,EQ ,ES,E U,EV, EY,EZ ,FC FE,FG ,FJ,F M-FQ, FW-FZ ,GE GF,GJ ,GK	1
-222A	315T4716-1		..BRACKET- (POST SB 747-78-2155)	B-E,G ,N-T, V-X,A N-AU, AW-AZ BQ,BS ,BU-B W,C A-CC, CG-CK CQ-CU ,DA, DC,DE ,DG,D J,DL DN,DQ ,DS,D Y,EA, EC,EE ,EG EJ,EL ,EN,E Q,ES, EU,EV ,EY EZY	1

78-31-41

 ILLUSTRATED PARTS LIST
 01.1 Page 1034X
 Nov 01/03

BOEING
COMPONENT
MAINTENANCE MANUAL

FIG. & ITEM	PART NO.	AIRLINE PART NUMBER	NOMENCLATURE	EFF CODE	QTY PER ASSY
03- -222H	315T4716-2		1234567 ..BRACKET	J,L,C Z,DK, DM,DP ,EH,E K,EM EP,ER ,ET,E W,EX, FA,FB ,FD FF,FH ,FK,F S-FV, GA-GD ,GG GH,GL ,GM	1
-222J	315T4716-2		..BRACKET- (POST SB 747-78-2155)	F,H, Z-AC, BB-BP ,BR,B T BX-BZ ,CD,C E,C L-CP, CV-CZ DB,DD ,DF,D H,DK, DM,DR ,DT DZ,EB ,ED,E F,EH, EK,EM ,EP ER,ET ,EW,E X,FA, FB	1

78-31-41

ILLUSTRATED PARTS LIST
01.1 Page 1034Y
Nov 01/03

FIG. & ITEM	PART NO.	AIRLINE PART NUMBER	NOMENCLATURE 1234567	EFF CODE	QTY PER ASSY
03-222R	TY1878-21		..LOCK ASSY-SYNCH SHAFT (VK0377) (SPEC S315N370-2)	A, J-L , CQ, C Z, D J-DP, EG-FK FM-FQ , FS-G M	1
-222S	TY1878-21		..LOCK ASSY-MANUAL ACTUATOR (VK0377) (SPEC S315N370-2) (POST SB 747-78-2155)	B-H, N-T, V-X, Z-AL, AN-AU AW-AZ , BB-C E, C G-CP, CR-CY DA-DH , DQ-E F	1
223	315T3631-13		..FITTING-ACTR RTNR (OPT ITEMS 225, 230) (USED ON ITEMS 10D, 10E, 10F, 10G, 10H, 10J, 10K, 15D, 15E, 15F, 15G, 15H 15J)	A-FK, FM-FQ , FS-G M	6
225	315T3631-7		..FITTING ASSY-ACTR RTNR (OPT ITEM 223) (USED ON ITEMS 10D, 10E, 10F, 10G, 10H, 10J, 10K, 15D, 15E, 15F, 15G, 15H, 15J)	A-FK, FM-FQ , FS-G M	5

78-31-41

 ILLUSTRATED PARTS LIST
 01.1 Page 1034Z
 Nov 01/03

BOEING
COMPONENT
MAINTENANCE MANUAL

FIG. & ITEM	PART NO.	AIRLINE PART NUMBER	NOMENCLATURE	EFF CODE	QTY PER ASSY
03- -225A	315T3631-7		1234567 ..FITTING ASSY-ACTR RTNR (USED ON ITEMS 10, 10A, 10B, 10C, 15, 15A, 15B, 15C, 15D)	B-H, N-T, V-X, Z-AL, AN-AU AW-AZ ,BB-C E,C G-DN, DQ-DT DY-FB	5
230	315T3631-11		..FITTING ASSY-ACTR RTNR (OPT ITEM 223) (USED ON ITEMS 10D, 10E, 10F, 10G, 10H, 10J, 10K, 15D, 15E, 15F, 15G, 15H, 15J)	A-FK, FM-FQ ,FS-G M	1
-230A	315T3631-11		..FITTING ASSY-ACTR RTNR (USED ON ITEMS 10, 10A, 10B, 10C, 15, 15A, 15B, 15C, 15D)	B-H, N-T, V-X, Z-AL, AN-AU AW-AZ ,BB-C E,C G-DN, DQ-DT DY-FB	1
235 235A	NAS6704-2 BACB30LM4		ATTACHING PARTS DELETED ..BOLT -----*-----	A-FK, FM-FQ ,FS-G M	6

78-31-41

FIG. & ITEM	PART NO.	AIRLINE PART NUMBER	NOMENCLATURE	EFF CODE	QTY PER ASSY
			1234567		
03-240	315T3631-3		...PIN	A-FK, FM-FQ ,FS-G M	1
245	315T3631-8		...PLATE- (USED ON ITEM 225)	A-FK, FM-FQ ,FS-G M	1
-245A	315T3631-12		...PLATE- (USED ON ITEM 230)	A-FK, FM-FQ ,FS-G M	1
247 247A	CN096614C7PNL R071014S7PNL		DELETED ..CONNECTOR- (V41118) (SPEC BACC63BP14S7PNL) (USED ON ITEMS 10B, 10C, 15B, 15C)	B-H, N-T, V-X, Z-AL, AN-AU AW-AZ ,BB-C E,C G-DN, DQ-DT DY-FB	2
249 249A	G8993M14NF G9166S1404-3NF		DELETED ..CLAMP- (V06324) (OPT ITEM 249B) (USED ON ITEMS 10B, 10C, 15B, 15C)	B-H, N-T, V-X, Z-AL, AN-AU AW-AZ ,BB-C E,C G-DN, DQ-DT DY-FB	2

78-31-41

 ILLUSTRATED PARTS LIST
 01.1 Page 1036
 Nov 01/03

 **BOEING**
COMPONENT
MAINTENANCE MANUAL

FIG. & ITEM	PART NO.	AIRLINE PART NUMBER	NOMENCLATURE 1234567	EFF CODE	QTY PER ASSY
03- -249B	G918851408-3		..CLAMP- (V06324) (OPT ITEM 249A) (USED ON ITEMS 10B, 10C, 15B, 15C)	B-H, N-T, V-X, Z-AL, AN-AU AW-AZ ,BB-C E,C G-DN, DQ-DT DY-FB	2
250	315T3633-26		..SHIM	A-FK, FM-FQ ,FS- GD	6
255	2190000-13		..ACTUATOR-NON-LOCKING (V93835) (SPEC S315T360-29) (OPT ITEMS 255A, 255D) (USED ON ITEMS 10, 10B 15, 15B)	B-H, N-T, V-X, Z-AL, AN-AU AW-AZ ,BB-C E,C G-DN, DQ-DT DY-FB	2
-255A	2190000-15		..ACTUATOR-NON-LOCKING (V93835) (SPEC S315T360-31) (OPT ITEMS 255, 255D) (USED ON ITEMS 10, 10B 15, 15B)	B-H, N-T, V-X, Z-AL, AN-AU AW-AZ ,BB-C E,C G-DN, DQ-DT DY-FB	2

78-31-41

ILLUSTRATED PARTS LIST
01.1 Page 1036A
Nov 01/03

FIG. & ITEM	PART NO.	AIRLINE PART NUMBER	NOMENCLATURE 1234567	EFF CODE	QTY PER ASSY
03- -255B -255C	S315T360-39 2190000-21		DELETED ..ACTUATOR-NON-LOCKING (V93835) (SPEC S315T360-39) (USED ON ITEMS 10A, 10C, 10D, 10E, 10F, 15A, 15C, 15D, 15E)	A-FK, FM-FQ ,FS-G M	2
-255D	2190000-21		..ACTUATOR-NON-LOCKING (V93835) (SPEC S315T360-39) (OPT ITEMS 255, 255A) (USED ON ITEMS 10, 10B) 15, 15B)	B-H, N-T, V-X, Z-AL, AN-AU AW-AZ ,BB-C E,C G-DN, DQ-DT DY-FB	2
-255E -255F	S315T360-49 2190000-23		DELETED ..ACTUATOR-NON-LOCKING (V93835) (SPEC S315T360-49) (OPT ITEM 255G) (USED ON ITEMS 10G, 10H, 10J, 10K, 15F, 15G, 15H 15J)	A-FK, FM-FQ ,FS-G M	2
-255G	2190000-21		..ACTUATOR-NON-LOCKING (V93835) (SPEC S315T360-39) (OPT ITEM 255F) (USED ON ITEMS 10G, 10H, 10J, 10K, 15F, 15G, 15H 15J)	A-FK, FM-FQ ,FS-G M	2

78-31-41

 ILLUSTRATED PARTS LIST
 01.1 Page 1036B
 Nov 01/03

 **BOEING**
COMPONENT
MAINTENANCE MANUAL

FIG. & ITEM	PART NO.	AIRLINE PART NUMBER	NOMENCLATURE 1234567	EFF CODE	QTY PER ASSY
03-260 260A	S315T360-37 2190000-28		DELETED ..ACTUATOR-LOCKING (V93835) (SPEC S315T360-37) (USED ON ITEMS 10A, 15A)	A-FK, FM-FQ ,FS-G M	1
-260B	2190000-30		..ACTUATOR-LOCKING (V93835) (SPEC S315T360-42) (USED ON ITEMS 10B, 10C, 15B, 15C)	A-FK, FM-FQ ,FS-G M	1
-260C -260D	S315T360-45 2190000-36		DELETED ..ACTUATOR-LOCKING (V93835) (SPEC S315T360-45) (USED ON ITEMS 10D, 10E, 10F, 15D, 15E)	A-FK, FM-FQ ,FS-G M	1
-260E -260F	S315T360-48 2190000-46		DELETED ..ACTUATOR-LOCKING (V93835) (SPEC S315T360-48) (OPT ITEM 260G, 260H) (USED ON ITEMS 10G, 10H, 10J, 10K, 15F, 15G, 15H, 15J)	A-FK, FM-FQ ,FS-G M	1
-260G	2190000-28		..ACTUATOR-LOCKING (V93835) (SPEC S315T360-37) (OPT ITEM 260F, 260H) (USED ON ITEMS 10G, 10H, 10J, 10K, 15F, 15G, 15H, 15J)	A-FK, FM-FQ ,FS-G M	1

78-31-41

FIG. & ITEM	PART NO.	AIRLINE PART NUMBER	NOMENCLATURE	EFF CODE	QTY PER ASSY
03- -260H	2190000-36		..ACTUATOR-LOCKING (V93835) (SPEC S315T360-45) (OPT ITEM 260F, 260G) (USED ON ITEMS 10G, 10H, 10J, 10K, 15F, 15G, 15H 15J)	A-FK, FM-FQ ,FS-G M	1
-263	315T4601-1		..BRACKET ASSY- (USED ON ITEMS 10E, 10F, 10G, 10H, 10J, 10K)	A-E,G ,K, N-T, V-X,A N-AU AW-AZ ,BQ,B S,B U-BW, CA-CC CG-CK ,CQ-C U,DA, DC,DE ,DG DJ,DL ,DN,D Q,DS, DY,EA ,EC EE,EG ,EJ,E L,EN, EQ,ES ,EU EV,EY ,EZ, FC,FE ,FG,F J FM-FQ ,FW-F Z,GE, GF,GJ ,GK	1

78-31-41

 ILLUSTRATED PARTS LIST
 01.1 Page 1036D
 Nov 01/03

FIG. & ITEM	PART NO.	AIRLINE PART NUMBER	NOMENCLATURE 1234567	EFF CODE	QTY PER ASSY
03-265	MS24665-153		..PIN-COTTER	A-FK, FM-FQ ,FS-G M	3
270	NAS6705D18		..BOLT	A-FK, FM-FQ ,FS-G M	3
275	AN960-516		..WASHER	A-FK, FM-FQ ,FS-G M	6
280	BACB28AK05-038		..BUSHING	A-FK, FM-FQ ,FS-G M	3
285	BACN10JD105		..NUT	A-FK, FM-FQ ,FS-G M	3
290	BACT11SH18F		..TAPE	A-FK, FM-FQ ,FS-G M	4
295	BAC27TTR59		..MARKER-ALUMINUM FOIL- V170	A,K, FC,FE ,FG,F J,F M-FQ FW-FZ ,GE, GF,GJ ,GK	1

78-31-41

ILLUSTRATED PARTS LIST
01.1 Page 1036E
Nov 01/03

FIG. & ITEM	PART NO.	AIRLINE PART NUMBER	NOMENCLATURE 1234567	EFF CODE	QTY PER ASSY
03-300	BAC27TTR60		..MARKER-ALUMINUM FOIL-V171	J,L, FD,FF ,FH,F K,F S-FV GA-GD ,GG,G H,GL, GM	1
305	BAC27TTR61		..MARKER-ALUMINUM FOIL-GD5996DC	A,K, FC,FE ,FG,F J,F M-FQ FW-FZ ,GE, GF,GJ ,GK	1
-310	BAC27TTR62		..MARKER-ALUMINUM FOIL-GD5994DC	J,L, FD,FF ,FH,F K,F S-FV GA-GD ,GG,G H,GL, GM	1
315	BAC27TTR69		..MARKER-ALUMINUM FOIL-GD8308S	A,K, FC,FE ,FG,F J,F M-FQ FW-FZ ,GE, GF,GJ ,GK	1

78-31-41

 ILLUSTRATED PARTS LIST
 01.1 Page 1036F
 Nov 01/03

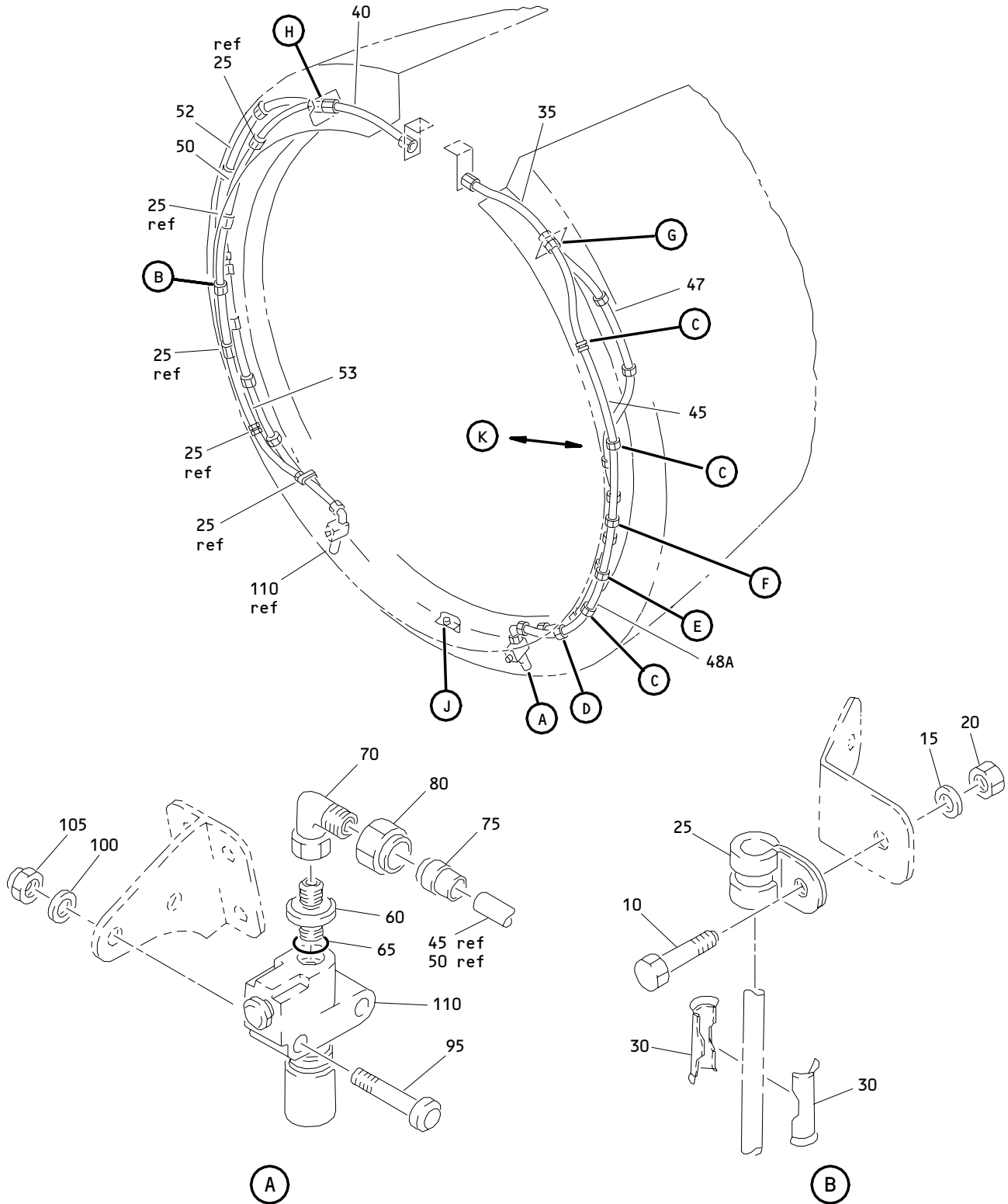
 **BOEING**
COMPONENT
MAINTENANCE MANUAL

FIG. & ITEM	PART NO.	AIRLINE PART NUMBER	NOMENCLATURE	EFF CODE	QTY PER ASSY
03-320	BAC27TTR70		1234567 ..MARKER-ALUMINUM FOIL-GD8310S	J,L, FD,FF ,FH,F K,F S-FV GA-GD ,GG,G H,GL, GM	1

- Item Not Illustrated

78-31-41

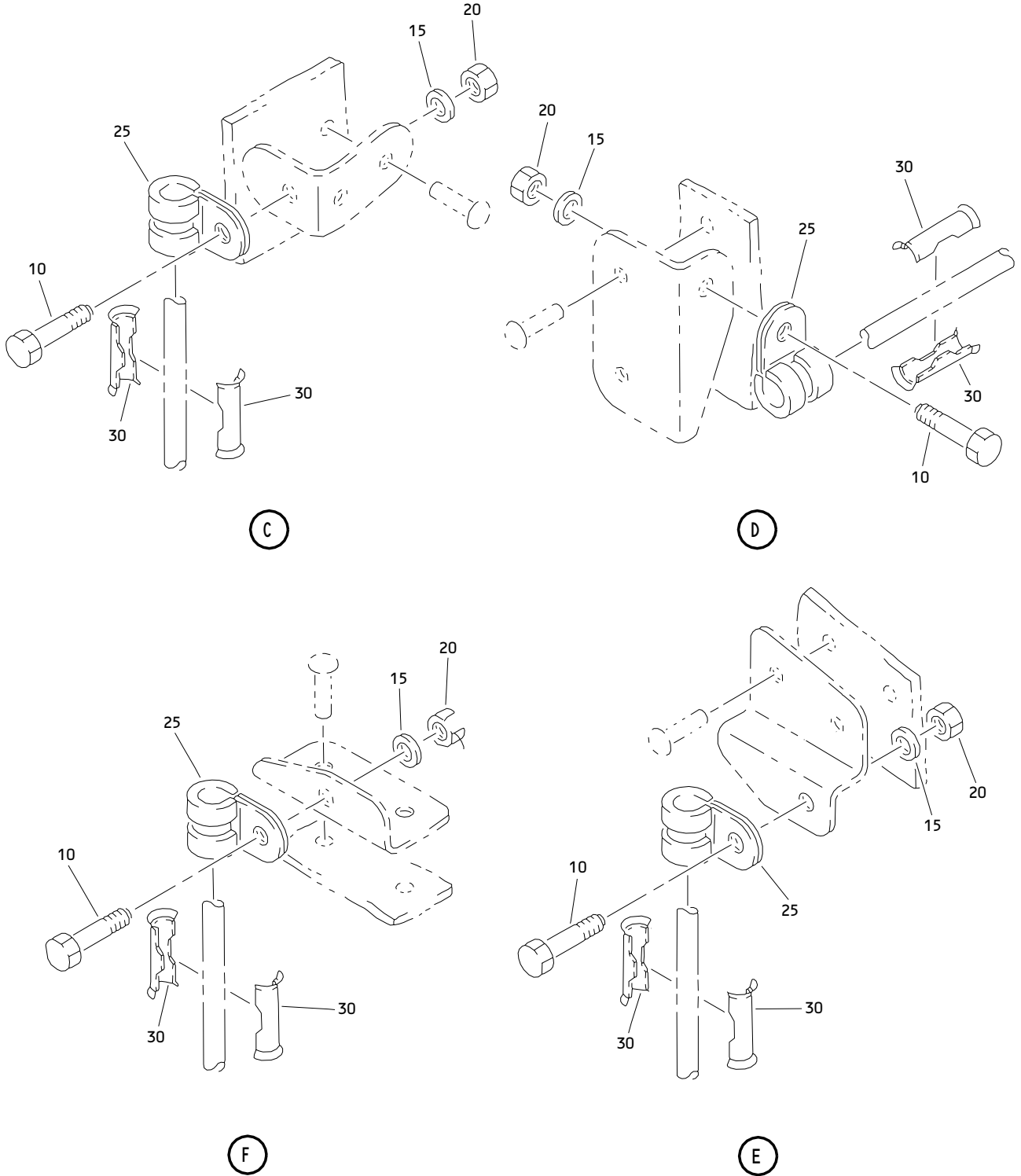
ILLUSTRATED PARTS LIST
01.1 Page 1036G
Nov 01/03



Actuator Opening Tubing Installation
 Figure 4 (Sheet 1)

78-31-41

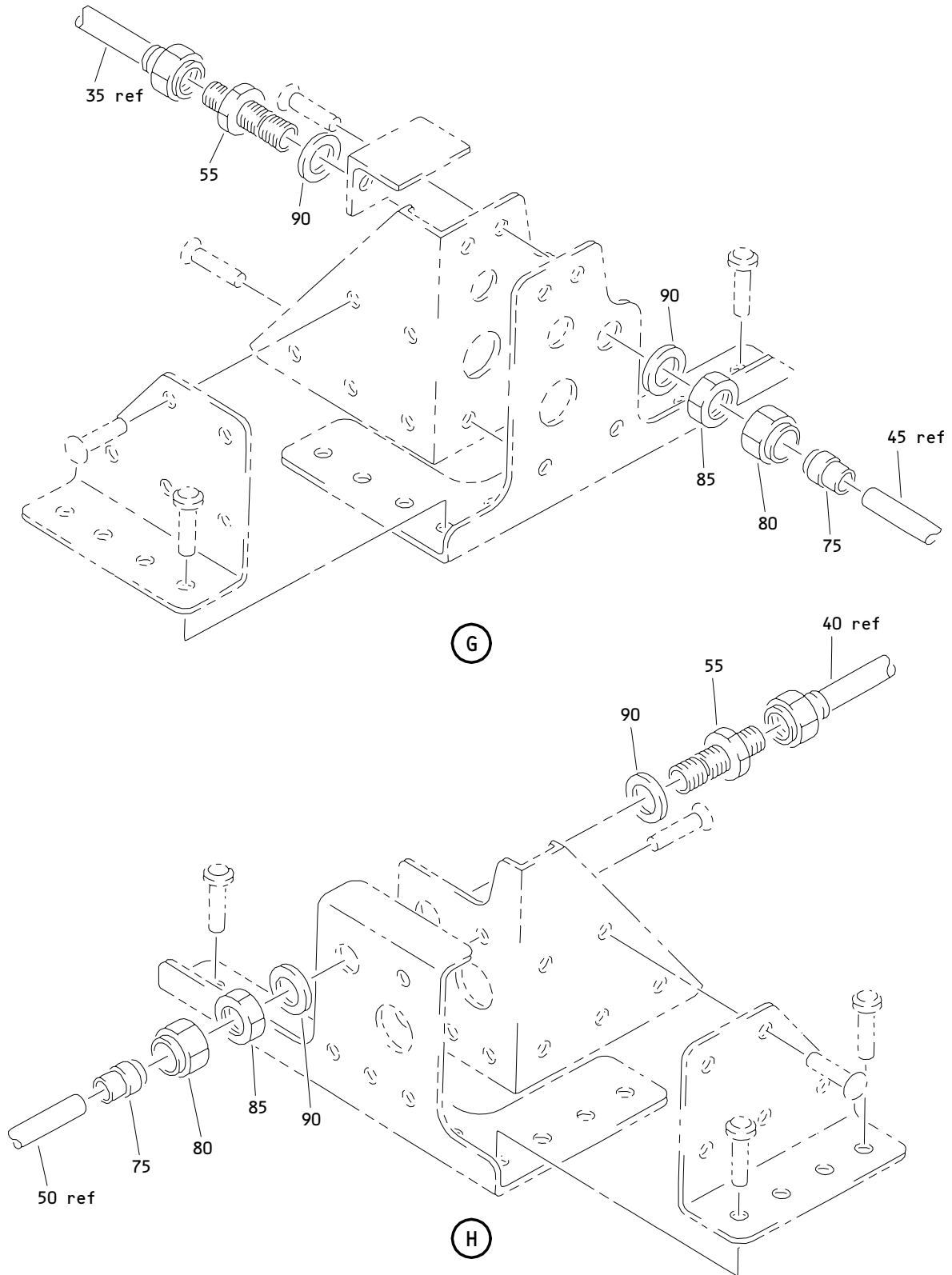
ILLUSTRATED PARTS LIST
 01.101 Page 1036H
 Nov 01/03



Actuator Opening Tubing Installation
Figure 4 (Sheet 2)

78-31-41

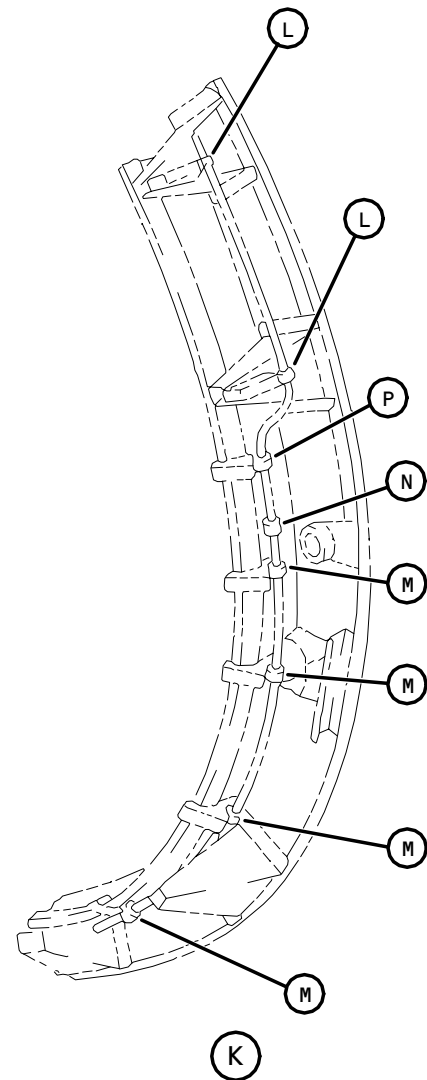
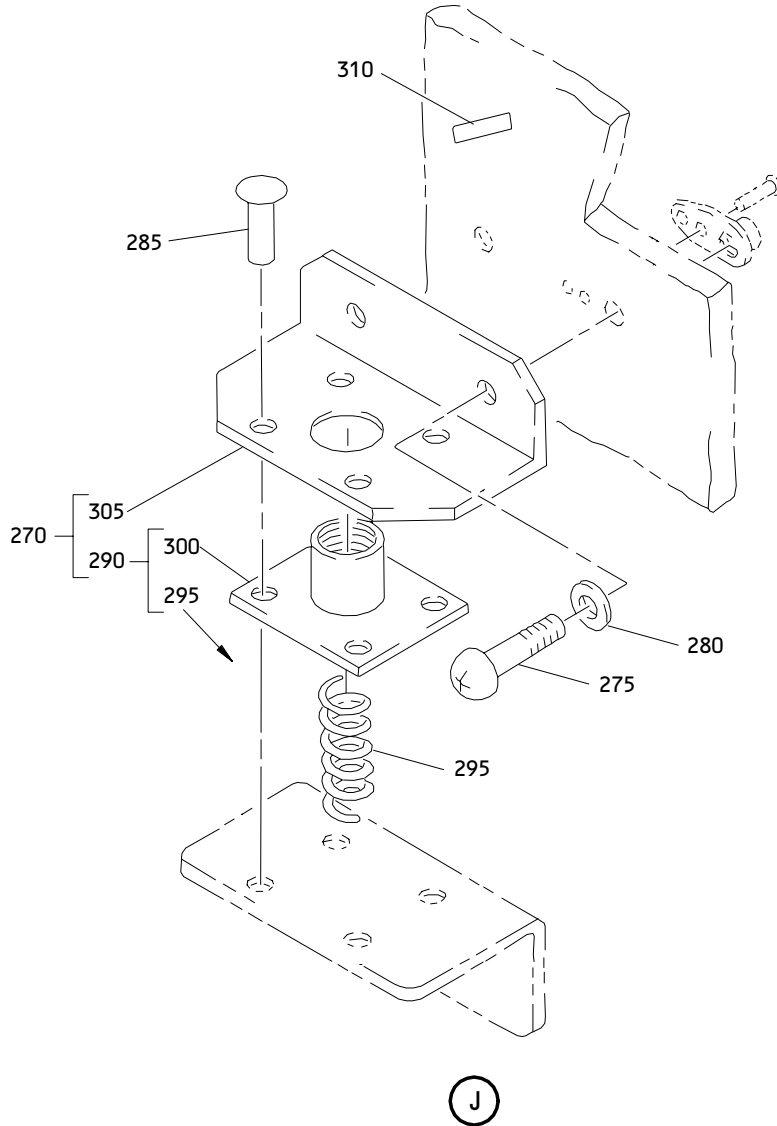
ILLUSTRATED PARTS LIST
01.1 Page 1036I
Nov 01/03



Actuator Opening Tubing Installation
 Figure 4 (Sheet 3)

78-31-41

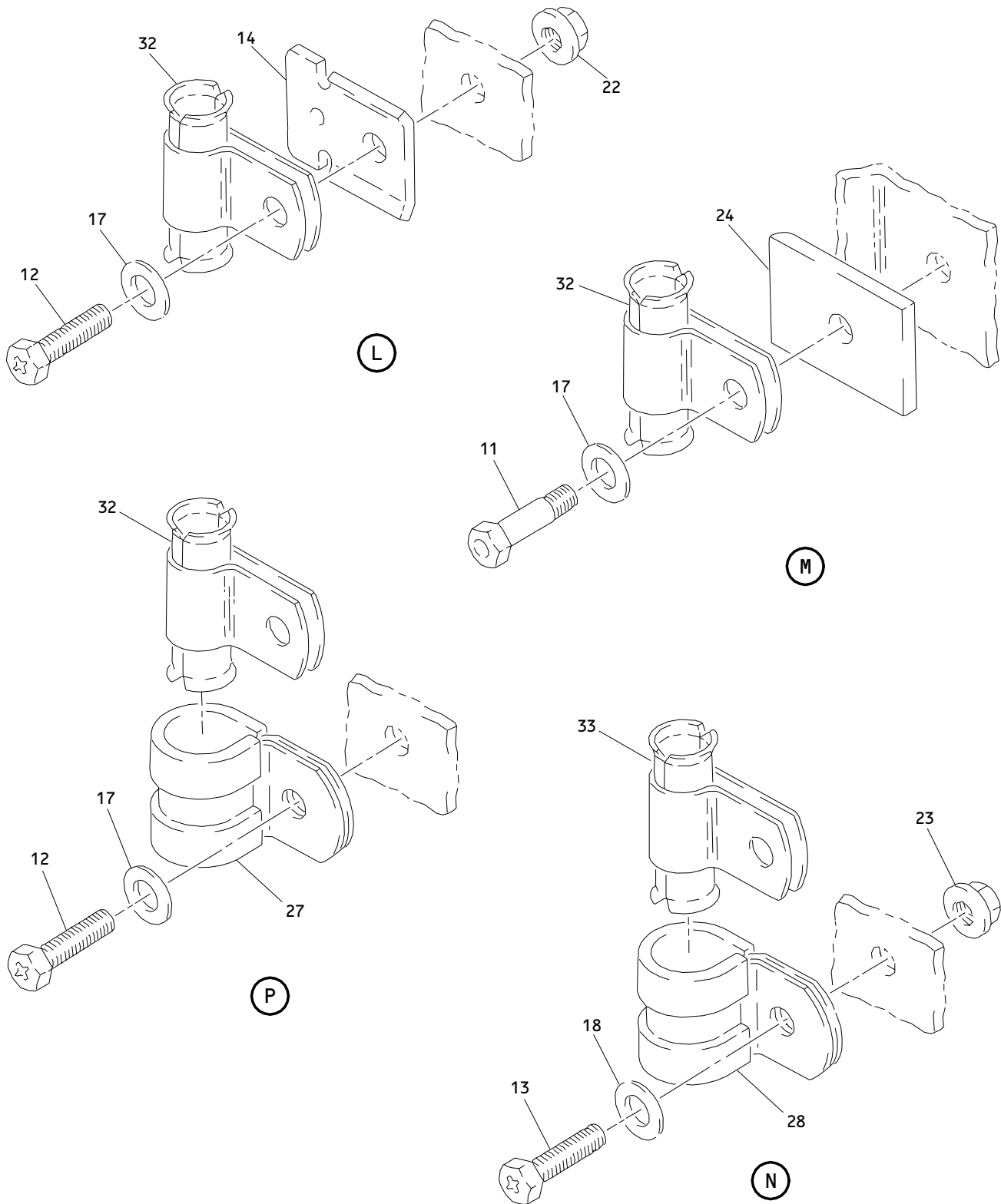
ILLUSTRATED PARTS LIST
 01.101 Page 1036J
 Nov 01/03



Actuator Opening Tubing Installation
Figure 4 (Sheet 4)

78-31-41

ILLUSTRATED PARTS LIST
01.101 Page 1036K
Nov 01/03



Actuator Opening Tubing Installation
 Figure 4 (Sheet 5)

78-31-41

ILLUSTRATED PARTS LIST
 01.101 Page 1036L
 Nov 01/03

 **BOEING**
COMPONENT
MAINTENANCE MANUAL

FIG. & ITEM	PART NO.	AIRLINE PART NUMBER	NOMENCLATURE 1234567	EFF CODE	QTY PER ASSY
04- -1 -1A	315T3154-21 315T3154-29		DELETED TUBING INSTL-ACTR OPENING	B-D,R ,T,V, AP,AQ ,AT,A U,AW AY,BQ ,BS,B W,CA, CC,C G-CK CR-CU ,DA, DC,DY ,EA, EC,EE EQ,ES ,EU,E V,EY, EZ	RF
-1B	315T3154-51		TUBING INSTL-ACTR OPENING	DQ,DS ,FC, FE,F M-FP, FW-FY GE,GJ HA,HC	RF
-1C	315T3154-61		TUBE INSTL-ACTR OPENING (NHA 315T4295, REF COLLECTOR CMM 78-31-47) (NHA 315U4295, REF COLLECTOR CMM 78-31-48)		RF
-1D	315T3154-83		TUBE INSTL-ACTR OPENING (NHA 315T4295, REF COLLECTOR CMM 78-31-47)	HA	RF
-1E	315T3154-85		TUBE INSTL-ACTR OPENING (NHA 315U4295, REF COLLECTOR CMM 78-31-48)	HA	RF
-1F	315T3154-75		TUBE INSTL-ACTR OPENING (NHA 315U4295, REF COLLECTOR CMM 78-31-48)	HC	RF
-1G	315T3154-77		TUBE INSTL-ACTR OPENING (NHA 315U4295, REF COLLECTOR CMM 78-31-48)	HC	RF

78-31-41

ILLUSTRATED PARTS LIST
01.1 Page 1036M
Nov 01/03

FIG. & ITEM	PART NO.	AIRLINE PART NUMBER	NOMENCLATURE 1234567	EFF CODE	QTY PER ASSY
04- -1H	315T3154-79		TUBE INSTL-ACTR OPENING (NHA 315U4295, REF COLLECTOR CMM 78-31-48)	HC	RF
-1J	315T3154-81		TUBE INSTL-ACTR OPENING (NHA 315U4295, REF COLLECTOR CMM 78-31-48)	HC	RF
-5 -5A	315T3154-22 315T3154-30		DELETED TUBING INSTL-ACTR OPENING	F,H, Z-AB, AE-AK ,BB,B C BF-BN ,BR,B T,B X-BZ, CD-CF CL-CP ,CV-C Z,DB, DD,DK ,DM DP,DZ ,EB, ED,EF ,ER,E T,EW EX,FA ,FB	RF

78-31-41

 ILLUSTRATED PARTS LIST
 01.1 Page 1036N
 Nov 01/03

 **BOEING**
COMPONENT
MAINTENANCE MANUAL

FIG. & ITEM	PART NO.	AIRLINE PART NUMBER	NOMENCLATURE 1234567	EFF CODE	QTY PER ASSY
04- -5B	315T3154-52		TUBING INSTL-ACTR OPENING	DR,DT ,FD,F F,FS, FU,GA ,GC GG,GL HB,HD	RF
-5C	315T3154-62		TUBE INSTL-ACTR OPENING (NHA 315T4295, REF COLLECTOR CMM 78-31-47) (NHA 315U4295, REF COLLECTOR CMM 78-31-48)		RF
-5D	315T3154-84		TUBE INSTL-ACTR OPENING (NHA 315T4295, REF COLLECTOR CMM 78-31-47)	HB	RF
-5E	315T3154-86		TUBE INSTL-ACTR OPENING (NHA 315T4295, REF COLLECTOR CMM 78-31-47)	HB	RF
-5F	315T3154-76		TUBE INSTL-ACTR OPENING (NHA 315U4295, REF COLLECTOR CMM 78-31-48)	HD	RF
-5G	315T3154-78		TUBE INSTL-ACTR OPENING (NHA 315U4295, REF COLLECTOR CMM 78-31-48)	HD	RF
-5H	315T3154-80		TUBE INSTL-ACTR OPENING (NHA 315U4295, REF COLLECTOR CMM 78-31-48)	HD	RF
-5J	315T3154-82		TUBE INSTL-ACTR OPENING (NHA 315U4295, REF COLLECTOR CMM 78-31-48)	HD	RF

78-31-41

ILLUSTRATED PARTS LIST
01.1 Page 10360
Nov 01/03

FIG. & ITEM	PART NO.	AIRLINE PART NUMBER	NOMENCLATURE 1234567	EFF CODE	QTY PER ASSY
04-10	NAS6703-3		.BOLT	B-D, F ,H,R, T,V, Z-AB, AE-AK AP,AQ ,AT,A U,AW, AY,BB ,BC BF-BN ,BQ-B T,B W-CA, CC-CP CR-DD ,DK,D M,DP, DY,DZ EA-EF ,EQ- FB DQ-DT ,FC-F F,FM, FP,FS ,FU FW,FY ,GA, GC,GE ,GG,G J,GL HA-HD	6
11	BACB30NM3K		.BOLT- (SIZE DETERMINE ON INST)		4

78-31-41

 ILLUSTRATED PARTS LIST
 01.1 Page 1036P
 Nov 01/03

BOEING
COMPONENT
MAINTENANCE MANUAL

FIG. & ITEM	PART NO.	AIRLINE PART NUMBER	NOMENCLATURE 1234567	EFF CODE	QTY PER ASSY
04-12	NAS1801-3		.SCREW- (SIZE DETERMINE ON INST)	DQ-DT ,FC-F F,FM FP,FS ,FU FW,FY ,GA GC,GE ,GG,G J,GL HA-HD	3
13	NAS1801-3		.SCREW- (SIZE DETERMINE ON INST)	DQ,DS ,FC FE,FM ,FP,F W,FY GE,GJ ,HA HC	1
14	BACS18AF3		.SPACER- (V07073) (SPEC BACS18AF3)	DQ-DT ,FC-F F,FM FP,FS ,FU FW,FY ,GA GC,GE ,GG,G J,GL HA-HD	2

78-31-41

ILLUSTRATED PARTS LIST
01.1 Page 1036Q
Nov 01/03

FIG. & ITEM	PART NO.	AIRLINE PART NUMBER	NOMENCLATURE	EFF CODE	QTY PER ASSY
04-15	AN960C10L		.WASHER	B-D, F , H, R, , T, V, , Z-AB, , AE-AK , AP, AQ , AT, A , U, AW, , AY, BB , BC , BF-BN , BQ-B , T, B , W-CA, , CC-CP , CR-DD , DK, D , M, DP, , DY, DZ , EA-EF , EQ- , FB	6
17	NAS1149C0332R		.WASHER	DQ-DT , FC-F , F, FM, , FP, FS , FU , FW, FY , GA, , GC, GE , GG, G , J, GL , HA-HD	7

78-31-41

 ILLUSTRATED PARTS LIST
 01.1 Page 1036R
 Nov 01/03

 **BOEING**
COMPONENT
MAINTENANCE MANUAL

FIG. & ITEM	PART NO.	AIRLINE PART NUMBER	NOMENCLATURE	EFF CODE	QTY PER ASSY
04-18	NAS1149C0332R		.WASHER	DQ,DS ,FC, FE,FM ,FP,F W,FY GE,GJ ,HA, HC	1
20	H10-3BAC		.NUT- (V15653) (SPEC BACN10JC3) (OPT NS202101-02 (V80539)) (OPT RMLH9075-3W (V72962)) (OPT T6S1032J (V71087)) (OPT VN303A02 (V92215)) (OPT 96-02 (V80539)) (OPT BRH10A3 (V52828))	B-D,F ,H,R, T,V, Z-AB, AE-AK AP,AQ ,AT,A U,AW, AY,BB ,BC BF-BN ,BQ-B T,B W-CA, CC-CP CR-DD ,DK,D M,DP, DY,DZ EA-EF ,EQ- FB	6

78-31-41

ILLUSTRATED PARTS LIST
01.1 Page 1036S
Nov 01/03

FIG. & ITEM	PART NO.	AIRLINE PART NUMBER	NOMENCLATURE 1234567	EFF CODE	QTY PER ASSY
04-22	H52732-3CM		.NUT- (V15653) (SPEC BACN10YR3CM) (OPT PLH53CM (V62554))	DQ-DT ,FC-F F,FM, FP,FS ,FU FW,FY ,GA, GC,GE ,GG,G J,GL HA-HD	2
23	H52732-3CM		.NUT- (V15653) (SPEC BACN10YR3CM) (OPT PLH53CM (V62554))	DQ,DS ,FC, FE,FM ,FP,F W,FY GE,GJ ,HA, HC	1
24	315T3154-53		.FILLER-RADIUS	DQ-DT ,FC-F F,FM, FP,FS ,FU FW,FY ,GA, GC,GE ,GG,G J,GL HA-HD	4

78-31-41

 ILLUSTRATED PARTS LIST
 01.1 Page 1036T
 Nov 01/03

BOEING
COMPONENT
MAINTENANCE MANUAL

FIG. & ITEM	PART NO.	AIRLINE PART NUMBER	NOMENCLATURE	EFF CODE	QTY PER ASSY
04-25	JM44LC13WS4R		1234567 .CLAMP- (V22175) (SPEC BACC10GE4) (OPT S369WH4 (V18076)) (OPT TA12C32WS4 (V84971)) (OPT 509S4 (V83930))	B-D,F ,H,R, T,V, Z-AB, AE-AK AP,AQ ,AT,A U,AW, AY,BB ,BC BF-BN ,BQ-B T,B W-CA, CC-CP CR-DD ,DK,D M,DP, DY,DZ EA-EF ,EQ- FB	6
27	BACC10GU		.CLAMP- (SIZE DETERMINE ON INST)	DQ-DT ,FC-F F,FM, FP,FS ,FU FW,FY ,GA, GC,GE ,GG,G J,GL	1

78-31-41

ILLUSTRATED PARTS LIST
01.1 Page 1036U
Nov 01/03

FIG. & ITEM	PART NO.	AIRLINE PART NUMBER	NOMENCLATURE 1234567	EFF CODE	QTY PER ASSY
04-28	BACC10GU		.CLAMP- (SIZE DETERMINE ON INST)	DQ,DS ,FC, FE,FM ,FP,F W,FY GE,GJ	1
30	BACC10GT2-04P		.CLAMPSHELL	B-D,F ,H,R, T,V, Z-AB, AE-AK AP,AQ ,AT,A U,AW, AY,BB ,BC BF-BN ,BQ-B T,B W-CA, CC-CP CR-DD ,DK,D M,DP, DY,DZ EA-EF ,EQ- FB	12
32	BACC10GT3-04		.CLAMP ASSY- (V83930) (SPEC BACC10GT3-04)	DQ-DT ,FC-F F,FM, FP,FS ,FU FW,FY ,GA, GC,GE ,GG,G J,GL HA-HD	7

78-31-41

 ILLUSTRATED PARTS LIST
 01.1 Page 1036V
 Nov 01/03

BOEING
COMPONENT
MAINTENANCE MANUAL

FIG. & ITEM	PART NO.	AIRLINE PART NUMBER	NOMENCLATURE	EFF CODE	QTY PER ASSY
04-33	BACC10GT3-04		.CLAMP ASSY- (V83930) (SPEC BACC10GT3-04)	DQ,DS ,FC, FE,FM ,FP,F W,FY GE,GJ ,HA, HC	1
35	AE2463835E0160		.HOSE ASSY- (V00624)	B-D,R ,T,V AP,AQ ,AT,A U,AW AY,BQ ,BS,B W,CA, CG-CK CR-CU ,DA, DC,DQ ,DS,D Y,EA EC,EE ,EQ,E S,EU, EV,EY ,EZ FC,FE ,FM-F P,F W-FY, GE,GJ HA,GJ	1

78-31-41

ILLUSTRATED PARTS LIST
01.1 Page 1036W
Nov 01/03

FIG. & ITEM	PART NO.	AIRLINE PART NUMBER	NOMENCLATURE 1234567	EFF CODE	QTY PER ASSY
04-40	AE2463835E0152		.HOSE ASSY- (REPLD BY ITEM 40A) (LIMITED) (V00624)	F,H, Z-AB, AE-AK ,BB,B C BF-BN ,BR,B T,B X-BZ, CD-CF CL-CP ,CV-C Z,DB, DD,DK ,DM DP,DZ ,EB, ED,EF ,ER,E T,EW EX,FA ,FB	1
-40A	AE2463835E0160		.HOSE ASSY- (REPLS ITEM 40) (LIMITED) (V00624)	F,H, Z-AB, AE-AK ,BB,B C BF-BN ,BR,B T,B X-BZ, CD-CF CL-CP ,CV-C Z,DB, DD,DK ,DM DP,DZ ,EB, ED,EF ,ER,E T,EW EX,FA ,FB	1

78-31-41

 ILLUSTRATED PARTS LIST
 01.1 Page 1036X
 Nov 01/03

 **BOEING**
COMPONENT
MAINTENANCE MANUAL

FIG. & ITEM	PART NO.	AIRLINE PART NUMBER	NOMENCLATURE 1234567	EFF CODE	QTY PER ASSY
04- -40B	AE2463835E0160		.HOSE ASSY- (V00624)	DR,DT ,FD,F F,FS, FU,GA ,GC GG,GL ,HB, HD	1
45	315T3154-3		.TUBE ASSY- (MFD FROM CRES TUBE 21-6-9 BMS7-185 .250 IN OD X .016 IN WALL X 110.0 IN LG) (PRE SB 747-78-2155)	B-D,R ,T,V, AP,AQ ,AT,A U,AW AY,BQ ,BS,B W,CA, CC,C G-CK CR-CU ,DA, DC,DY ,EA, EC,EE EQ,ES	1
47	315T3154-47		.TUBE ASSY- (MFD FROM CRES TUBE 21-6-9 BMS7-185 .250 IN OD X .016 IN WALL X 110.0 IN LG)	EU,E V,EY, EZ	1
-47A	315T3154-47		.TUBE ASSY- (MFD FROM CRES TUBE 21-6-9 BMS7-185 .250 IN OD X .016 IN WALL X 110.0 IN LG)	DQ,DS ,FC, FE,FM ,FP,F W,FY GE,GJ ,HA, HC	1

78-31-41

ILLUSTRATED PARTS LIST
01.1 Page 1036Y
Nov 01/03

FIG. & ITEM	PART NO.	AIRLINE PART NUMBER	NOMENCLATURE	EFF CODE	QTY PER ASSY
04- -47B	315T3154-47		.TUBE ASSY- (MFD FROM CRES TUBE 21-6-9 BMS7-185 .250 IN OD X .016 IN WALL X 110.0 IN LG) (POST SB 747-78-2155)	B-D,R ,T,V, AP,AQ ,AT,A U,AW AY,BQ ,BS,B W,CA, CC,C G-CK CR-CU ,DA, DC,DY ,EA, EC,EE	1
48 48A	315T3154-48 315T3154-49		DELETED .TUBE ASSY- (MFD FROM CRES TUBE 21-6-9 BMS7-185 .250 IN OD X .016 IN WALL X 110.0 IN LG)	EQ,ES ,EU,E V,EY, EZ,FC ,FE FM,FP ,FW,F Y,GE, GJ,HA	1
-48B	315T3154-49		.TUBE ASSY- (MFD FROM CRES TUBE 21-6-9 BMS7-185 .250 IN OD X .016 IN WALL X 110.0 IN LG) (POST SB 747-78-2155)	B-D,R ,T,V, AP,AQ ,AT,A U,AW AY,BQ ,BS,B W,CA, CC,C G-CK CR-CU ,DA, DC,DY ,EA, EC,EE	1

78-31-41

 ILLUSTRATED PARTS LIST
 01.1 Page 1036Z
 Nov 01/03

 **BOEING**
COMPONENT
MAINTENANCE MANUAL

FIG. & ITEM	PART NO.	AIRLINE PART NUMBER	NOMENCLATURE	EFF CODE	QTY PER ASSY
04-48C	315T3154-49		.TUBE ASSY- (MFD FROM CRES TUBE 21-6-9 BMS7-185 .250 IN. OD X .016 IN. WALL X 110.0 IN. LG)	FC,FE ,FM-F P,F W-FY, GE,GJ	1
50	315T3154-20		.TUBE ASSY- (MFD FROM CRES TUBE 21-6-9 BMS7-185 .250 IN OD X .016 IN WALL X 110.0 IN LG) (PRE SB 747-78-2155)	F,H, Z-AB, AE-AK ,BB,B C BF-BN ,BR,B T,B X-BZ, CD-CF CL-CP ,CV-C Y,DB, DD,DZ ,EB ED,EF CZ,DK	1
52	315T3154-48		.TUBE ASSY- (MFD FROM CRES TUBE 21-6-9 BMS7-185 .250 IN OD X .016 IN WALL X 110.0 IN LG)	,DM,D P,DR, DT,ER ,ET EW,EX ,FA, FB,FD ,FF,F S,FU GA,GC ,GG,G L,HB	1

78-31-41

ILLUSTRATED PARTS LIST
01.1 Page 1037
Nov 01/03

FIG. & ITEM	PART NO.	AIRLINE PART NUMBER	NOMENCLATURE	EFF CODE	QTY PER ASSY
04-52A	315T3154-48		1234567 .TUBE ASSY- (MFD FROM CRES TUBE 21-6-9 BMS7-185 .250 IN OD X .016 IN WALL X 110.0 IN LG) (POST SB 747-78-2155)	F,H, Z-AB, AE-AK ,BB,B C BF-BN ,BR,B T,B X-BZ, CD-CF CL-CP ,CV-C Y,DB, DD,DZ ,EB ED,EF CZ,DK	1
53	315T3154-50		.TUBE ASSY- (MFD FROM CRES TUBE 21-6-9 BMS7-185 .250 IN OD X .016 IN WALL X 110.0 IN LG)	,DM,D P,ER, ET,EW ,EX FA,FB DR,DT	1
-53A	315T3154-50		.TUBE ASSY- (MFD FROM CRES TUBE 21-6-9 BMS7-185 .250 IN OD X .016 IN WALL X 110.0 IN LG)	,FD,F F,FS, FU,GA ,GC GG,GL ,HB, HD	1

78-31-41

 ILLUSTRATED PARTS LIST
 01.1 Page 1038
 Nov 01/03

 **BOEING**
COMPONENT
MAINTENANCE MANUAL

FIG. & ITEM	PART NO.	AIRLINE PART NUMBER	NOMENCLATURE	EFF CODE	QTY PER ASSY
04-53B	315T3154-50		1234567 .TUBE ASSY- (MFD FROM CRES TUBE 21-6-9 BMS7-185 .250 IN OD X .016 IN WALL X 110.0 IN LG) (POST SB 747-78-2155)	F,H, Z-AB, AE-AK ,BB,B C BF-BN ,BR,B T,B X-BZ, CD-CF CL-CP ,CV-C Y,DB, DD,DZ ,EB ED,EF	1

78-31-41

ILLUSTRATED PARTS LIST
01.1 Page 1038A
Nov 01/03

FIG. & ITEM	PART NO.	AIRLINE PART NUMBER	NOMENCLATURE 1234567	EFF CODE	QTY PER ASSY
04-55	AFP238-0405J		.UNION- (V30974) (SPEC BACU24AA0405J) (OPT ER832-0405J (V50948)) (OPT LER832-0405J (V11328)) (OPT 2-010890405J (V11328)) (OPT APX832-0405J (V01673)) (OPT DBOU24AA0405J (V61498)) (OPT FER1579-0405J (V14397)) (OPT US2113-0405J (V50808)) (OPT APX932J0405 (V01673))	B-D,F ,H,R, ,T,V, ,Z-AB, ,AE-AK ,AP,AQ ,AT,A ,U,AW, ,AY,BB ,BC ,BF-BN ,BQ-B ,T,B ,W-CA, ,CC-CP ,CR-DD ,DK,D ,M,D ,P-DT, ,DY,DZ ,EA-EF ,EQ-F ,F,FM, ,FP,FS ,FU ,FW,FY ,GA, ,GC,GE ,GG,G ,J,GL ,HA-HD	1

78-31-41

 ILLUSTRATED PARTS LIST
 01.1 Page 1038B
 Nov 01/03

BOEING
COMPONENT
MAINTENANCE MANUAL

FIG. & ITEM	PART NO.	AIRLINE PART NUMBER	NOMENCLATURE	EFF CODE	QTY PER ASSY
04-60	MS21902J4		1234567 .UNION	B-D, F , H, R, T, V, Z-AB, AE-AK AP, AQ , AT, A U, AW, AY, BB , BC BF-BN , BQ-B T, B W-CA, CC-CP CR-DD , DK, D M, D P-DT, DY, DZ EA-EF , EQ-F F, FM, FP, FS , FU FW, FY , GA, GC, GE , GG, G J, GL HA-HD	1

78-31-41

ILLUSTRATED PARTS LIST
01.1 Page 1038C
Nov 01/03

FIG. & ITEM	PART NO.	AIRLINE PART NUMBER	NOMENCLATURE	EFF CODE	QTY PER ASSY
04-65	M83248-1-012		.PACKING	B-D, F ,H,R, T,V, Z-AB, AE-AK AP,AQ ,AT,A U,AW, AY,BB ,BC BF-BN ,BQ-B T,B W-CA, CC-CP CR-DD ,DK,D M,D P-DT, DY,DZ EA-EF ,EQ-F F,FM, FP,FS ,FU FW,FY ,GA, GC,GE ,GG,G J,GL HA-HD	1

78-31-41

 ILLUSTRATED PARTS LIST
 01.1 Page 1038D
 Nov 01/03

BOEING
COMPONENT
MAINTENANCE MANUAL

FIG. & ITEM	PART NO.	AIRLINE PART NUMBER	NOMENCLATURE 1234567	EFF CODE	QTY PER ASSY
04-70	AP1010JM0404M		.ELBOW- (V01673) (SPEC BACE21AW0404M) (OPT AP1010-0404M (V01673)) (OPT DBOE21AW0404M (V14798)) (OPT ER10633M0404 (V88334)) (OPT FER1569-0404M (V14397)) (OPT W30833-0404M (V11328)) (OPT 4671114-0404M (V50948)) (OPT AFP334-0404M (V30974)) (OPT DBOE21AW0404M (V61498)) (OPT ER10633M0404M (V88334)) (OPT US2109-0404M (V50808)) (OPT AFP344-0404M (V30974))	B-D, F , H, R, , T, V, , Z-AB, , AE-AK , AP, AQ , AT, A , U, AW, , AY, BB , BC , BF-BN , BQ-B , T, B , W-CA, , CC-CP , CR-DD , DK, D , M, D , P-DT, , DY, DZ , EA-EF , EQ-F , F, FM, , FP, FS , FU , FW, FY , GA, , GC, GE , GG, G , J, GL , HA-HD	1

78-31-41

ILLUSTRATED PARTS LIST
01.1 Page 1038E
Nov 01/03

FIG. & ITEM	PART NO.	AIRLINE PART NUMBER	NOMENCLATURE	EFF CODE	QTY PER ASSY
04-75	DB0S13BX04H		1234567 .SLEEVE- (V14798) (SPEC BACS13BX04H) (OPT 2-02903-04H (V11328)) (OPT 35235V04 (V08199)) (OPT AP2097-04H (V01673)) (OPT AFP175V04 (V30974))	B-D,F ,H,R, T,V, Z-AB, AE-AK AP,AQ ,AT,A U,AW, AY,BB ,BC BF-BN ,BQ-B T,B W-CA, CC-CP CR-DD ,DK,D M,D P-DT, DY,DZ EA-EF ,EQ-F F,FM, FP,FS ,FU FW,FY ,GA, GC,GE ,GG,G J,GL	2

78-31-41

 ILLUSTRATED PARTS LIST
 01.1 Page 1038F
 Nov 01/03

 **BOEING**
COMPONENT
MAINTENANCE MANUAL

FIG. & ITEM	PART NO.	AIRLINE PART NUMBER	NOMENCLATURE	EFF CODE	QTY PER ASSY
04-80	MS21921-4J		.NUT	B-D, F , H, R, , T, V, , Z-AB, , AE-AK , AP, AQ , AT, A , U, AW, , AY, BB , BC , BF-BN , BQ-B , T, B , W-CA, , CC-CP , CR-DD , DK, D , M, D , P-DT, , DY, DZ , EA-EF , EQ-F , F, FM, , FP, FS , FU , FW, FY , GA, , GC, GE , GG, G , J, GL	2

78-31-41

ILLUSTRATED PARTS LIST
01.1 Page 1038G
Nov 01/03

FIG. & ITEM	PART NO.	AIRLINE PART NUMBER	NOMENCLATURE	EFF CODE	QTY PER ASSY
04-85	AN924-4J		.NUT	B-D, F , H, R, , T, V, Z-AB, AE-AK AP, AQ , AT, A U, AW, AY, BB , BC BF-BN , BQ-B T, B W-CA, CC-CP CR-DD , DK, D M, D P-DT, DY, DZ EA-EF , EQ-F F, FM, FP, FS , FU FW, FY , GA, GC, GE , GG, G J, GL HA-HD	1

78-31-41

 ILLUSTRATED PARTS LIST
 01.1 Page 1038H
 Nov 01/03

 **BOEING**
COMPONENT
MAINTENANCE MANUAL

FIG. & ITEM	PART NO.	AIRLINE PART NUMBER	NOMENCLATURE	EFF CODE	QTY PER ASSY
04-90	AN960C716		.WASHER	B-D, F , H, R, , T, V, , Z-AB, , AE-AK , AP, AQ , AT, A , U, AW, , AY, BB , BC , BF-BN , BQ-B , T, B , W-CA, , CC-CP , CR-DD , DK, D , M, D , P-DT, , DY, DZ , EA-EF , EQ-F , F, FM, , FP, FS , FU , FW, FY , GA, , GC, GE , GG, G , J, GL , HA-HD	2

78-31-41

ILLUSTRATED PARTS LIST
01.1 Page 1038I
Nov 01/03

FIG. & ITEM	PART NO.	AIRLINE PART NUMBER	NOMENCLATURE	EFF CODE	QTY PER ASSY
04-95	BACB30NM4K15		.BOLT	B-D, F , H, R, , T, V, Z-AB, AE-AK AP, AQ , AT, A U, AW, AY, BB , BC BF-BN , BQ-B T, B W-CA, CC-CP CR-DD , DK, D M, D P-DT, DY, DZ EA-EF , EQ-F F, FM, FP, FS , FU FW, FY , GA, GC, GE , GG, G J, GL HA-HD	2

78-31-41

 ILLUSTRATED PARTS LIST
 01.1 Page 1038J
 Nov 01/03

 **BOEING**
COMPONENT
MAINTENANCE MANUAL

FIG. & ITEM	PART NO.	AIRLINE PART NUMBER	NOMENCLATURE	EFF CODE	QTY PER ASSY
04-100	AN960C416		.WASHER	B-D, F , H, R, , T, V, , Z-AB, , AE-AK , AP, AQ , AT, A , U, AW, , AY, BB , BC , BF-BN , BQ-B , T, B , W-CA, , CC-CP , CR-DD , DK, D , M, D , P-DT, , DY, DZ , EA-EF , EQ-F , F, FM, , FP, FS , FU , FW, FY , GA, , GC, GE , GG, G , J, GL , HA-HD	2

78-31-41

ILLUSTRATED PARTS LIST
01.1 Page 1038K
Nov 01/03

FIG. & ITEM	PART NO.	AIRLINE PART NUMBER	NOMENCLATURE	EFF CODE	QTY PER ASSY
04-105	NAS1804-4		.NUT	B-D, F , H, R, , T, V, , Z-AB, , AE-AK , AP, AQ , AT, A , U, AW, , AY, BB , BC , BF-BN , BQ-B , T, B , W-CA, , CC-CP , CR-DD , DK, D , M, D , P-DT, , DY, DZ , EA-EF , EQ-F , F, FM, , FP, FS , FU , FW, FY , GA, , GD, GE , GG, G , J, GL , HA-HD	2

78-31-41

 ILLUSTRATED PARTS LIST
 01.1 Page 1038L
 Nov 01/03

 **BOEING**
COMPONENT
MAINTENANCE MANUAL

FIG. & ITEM	PART NO.	AIRLINE PART NUMBER	NOMENCLATURE	EFF CODE	QTY PER ASSY
04-110	0111153-007		1234567 MANIFOLD ASSY- (V98391) (OPT ITEM 110A)	B-D,F ,H,R, T,V, Z-AB, AE-AK AP,AQ ,AT,A U,AW, AY,BB ,BC BF-BN ,BQ-B T,B W-CA, CC-CP CR-DD ,DK,D M,D P-DT, DY,DZ EA-EF ,EQ-F F,FM, FP,FS ,FU FW,FY ,GA, GC,GE ,GG,G J,GL HA-HD	1

78-31-41

ILLUSTRATED PARTS LIST
01.1 Page 1038M
Nov 01/03

FIG. & ITEM	PART NO.	AIRLINE PART NUMBER	NOMENCLATURE	EFF CODE	QTY PER ASSY
04-110A	0111153-010		1234567 .MANIFOLD ASSY- (V98391) (OPT ITEM 110)	B-D,F ,H,R, T,V, Z-AB, AE-AK AP,AQ ,AT,A U,AW, AY,BB ,BC BF-BN ,BQ-B T,B W-CA, CC-CP CR-DD ,DK,D M,D P-DT, DY,DZ EA-EF ,EQ-F F,FM, FP,FS ,FU FW,FY ,GA, GC,GE ,GG,G J,GL HA-HD	1

78-31-41

 ILLUSTRATED PARTS LIST
 01.1 Page 1038N
 Nov 01/03

FIG. & ITEM	PART NO.	AIRLINE PART NUMBER	NOMENCLATURE 1234567	EFF CODE	QTY PER ASSY
04-					
115	HL10VAZ6-4		DELETED		
120	HL79-6		DELETED		
125	315T3154-11		DELETED		
130	BACR15BB5AD		DELETED		
135	315T3154-12		DELETED		
140	BACR15BB5AD		DELETED		
145	315T3154-15		DELETED		
-150	315T3154-16		DELETED		
155	315T3154-16		DELETED		
-160	315T3154-15		DELETED		
165	BACR15BB6AD		DELETED		
170	315T3154-13		DELETED		
175	315T3154-14		DELETED		
180	BACR15BB6AD		DELETED		
185	315T3154-17		DELETED		
-190	315T3154-18		DELETED		
195	BACR15BB5AD		DELETED		
200	315T3154-19		DELETED		
205	BACR15FT6KE		DELETED		
210	315T3154-5		DELETED		
215	BACR15BB5AD		DELETED		
220	315T3633-102		DELETED		
225	315T3633-67		DELETED		
230	315T3154-7		DELETED		
235	315T3154-8		DELETED		
240	BACR15FT6KE		DELETED		
245	315T3154-6		DELETED		
250	BACR15BB5AD		DELETED		
255	315T3633-68		DELETED		
260	315T3154-9		DELETED		
265	315T3154-10		DELETED		

78-31-41

ILLUSTRATED PARTS LIST
01.1 Page 10380
Nov 01/03

FIG. & ITEM	PART NO.	AIRLINE PART NUMBER	NOMENCLATURE 1234567	EFF CODE	QTY PER ASSY
04- 270	315T3154-31		.BRACKET ASSY	B-D, F , H, R, , T, V, , Z-AB, , AE-AK , AP, AQ , AT, A , U, AW, , AY, BB , BC , BF-BN , BQ-B , T, B , W-CA, , CC-CP , CR-DD , DK, D , M, D , P-DT, , DY, DZ , EA-EF , EQ-F , F, FM, , FP, FS , FU , FW, FY , GA, , GC, GE , GG, G , J, GL , HA-HD	1
			ATTACHING PARTS		

78-31-41

 ILLUSTRATED PARTS LIST
 01.1 Page 1038P
 Nov 01/03

FIG. & ITEM	PART NO.	AIRLINE PART NUMBER	NOMENCLATURE	EFF CODE	QTY PER ASSY
04-275	BACB30LK3-2		.BOLT	B-D, F , H, R, , T, V, , Z-AB, , AE-AK , AP, AQ , AT, A , U, AW, , AY, BB , BC , BF-BN , BQ-B , T, B , W-CA, , CC-CP , CR-DD , DK, D , M, D , P-DT, , DY, DZ , EA-EF , EQ-F , F, FM, , FP, FS , FU , FW, FY , GA, , GC, GE , GG, G , J, GL , HA-HD	2

78-31-41

ILLUSTRATED PARTS LIST

01.1 Page 1038Q

Nov 01/03

FIG. & ITEM	PART NO.	AIRLINE PART NUMBER	NOMENCLATURE	EFF CODE	QTY PER ASSY
04-280	AN960KD10L		.WASHER	B-D, F , H, R, , T, V, , Z-AB, , AE-AK , AP, AQ , AT, A , U, AW, , AY, BB , BC , BF-BN , BQ-B , T, B , W-CA, , CC-CP , CR-DD , DK, D , M, D , P-DT, , DY, DZ , EA-EF , EQ-F , F, FM, , FP, FS , FU , FW, FY , GA, , GC, GE , GG, G , J, GL , HA-HD	2

78-31-41

 ILLUSTRATED PARTS LIST
 01.1 Page 1038R
 Nov 01/03

FIG. & ITEM	PART NO.	AIRLINE PART NUMBER	NOMENCLATURE	EFF CODE	QTY PER ASSY
04-285	BACR15BA5AD		1234567 .RIVET- (SIZE DETERMINE ON INST) -----*-----	B-D,F ,H,R, ,T,V, Z-AB, AE-AK AP,AQ ,AT,A U,AW, AY,BB ,BC BF-BN ,BQ-B T,B W-CA, CC-CP CR-DD ,DK,D M,D P-DT, DY,DZ EA-EF ,EQ-F F,FM, FP,FS ,FU FW,FY ,GA, GC,GE ,GG,G J,GL HA-HD	4

78-31-41

ILLUSTRATED PARTS LIST
01.1 Page 1038S
Nov 01/03

FIG. & ITEM	PART NO.	AIRLINE PART NUMBER	NOMENCLATURE	EFF CODE	QTY PER ASSY
04-290	315T3245-1		1234567 ..RETAINER ASSY	B-D,F ,H,R, T,V, Z-AB, AE-AK AP,AQ ,AT,A U,AW, AY,BB ,BC BF-BN ,BQ-B T,B W-CA, CC-CP CR-DD ,DK,D M,D P-DT, DY,DZ EA-EF ,EQ-F F,FM, FP,FS ,FU FW,FY ,GA, GC,GE ,GG,G J,GL HA-HD	1

78-31-41

 ILLUSTRATED PARTS LIST
 01.1 Page 1038T
 Nov 01/03

 **BOEING**
COMPONENT
MAINTENANCE MANUAL

FIG. & ITEM	PART NO.	AIRLINE PART NUMBER	NOMENCLATURE	EFF CODE	QTY PER ASSY
04-295	MS21209F8-10		1234567 ...INSERT	B-D, F , H, R, , T, V, Z-AB, AE-AK AP, AQ , AT, A U, AW, AY, BB , BC BF-BN , BQ-B T, B W-CA, CC-CP CR-DD , DK, D M, D P-DT, DY, DZ EA-EF , EQ-F F, FM, FP, FS , FU FW, FY , GA, GC, GE , GG, G J, GL HA-HD	1

78-31-41

ILLUSTRATED PARTS LIST
01.1 Page 1038U
Nov 01/03

FIG. & ITEM	PART NO.	AIRLINE PART NUMBER	NOMENCLATURE	EFF CODE	QTY PER ASSY
04-300	315T3245-2		1234567 ...RETAINER	B-D, F ,H,R, T,V, Z-AB, AE-AK AP,AQ ,AT,A U,AW, AY,BB ,BC BF-BN ,BQ-B T,B W-CA, CC-CP CR-DD ,DK,D M,D P-DT, DY,DZ EA-EF ,EQ-F F,FM, FP,FS ,FU FW,FY ,GA, GC,GE ,GG,G J,GL HA-HD	1

78-31-41

ILLUSTRATED PARTS LIST
 01.1 Page 1038V
 Nov 01/03

BOEING
COMPONENT
MAINTENANCE MANUAL

FIG. & ITEM	PART NO.	AIRLINE PART NUMBER	NOMENCLATURE	EFF CODE	QTY PER ASSY
04-305	315T3202-114		1234567 ..ANGLE	B-D,F ,H,R, T,V, Z-AB, AE-AK AP,AQ ,AT,A U,AW, AY,BB ,BC BF-BN ,BQ-B T,B W-CA, CC-CP CR-DD ,DK,D M,D P-DT, DY,DZ EA-EF ,EQ-F F,FM, FP,FS ,FU FW,FY ,GA, GC,GE ,GG,G J,GL HA-HD	1

78-31-41

ILLUSTRATED PARTS LIST
01.1 Page 1038W
Nov 01/03

FIG. & ITEM	PART NO.	AIRLINE PART NUMBER	NOMENCLATURE	EFF CODE	QTY PER ASSY
04-310	BAC27TTR0006		1234567 MARKER-ALUMINUM FOIL-PIN STORAGE	B-D, F , H, R, , T, V, , Z-AB, , AE-AK , AP, AQ , AT, A , U, AW, , AY, BB , BC , BF-BN , BQ-B , T, B , W-CA, , CC-CP , CR-DD , DK, D , M, D , P-DT, , DY, DZ , EA-EF , EQ-F , F, FM, , FP, FS , FU , FW, FY , GA, , GC, GE , GG, G , J, GL , HA-HD	1

- Item Not Illustrated

78-31-41

 ILLUSTRATED PARTS LIST
 01.1 Page 1038X
 Nov 01/03



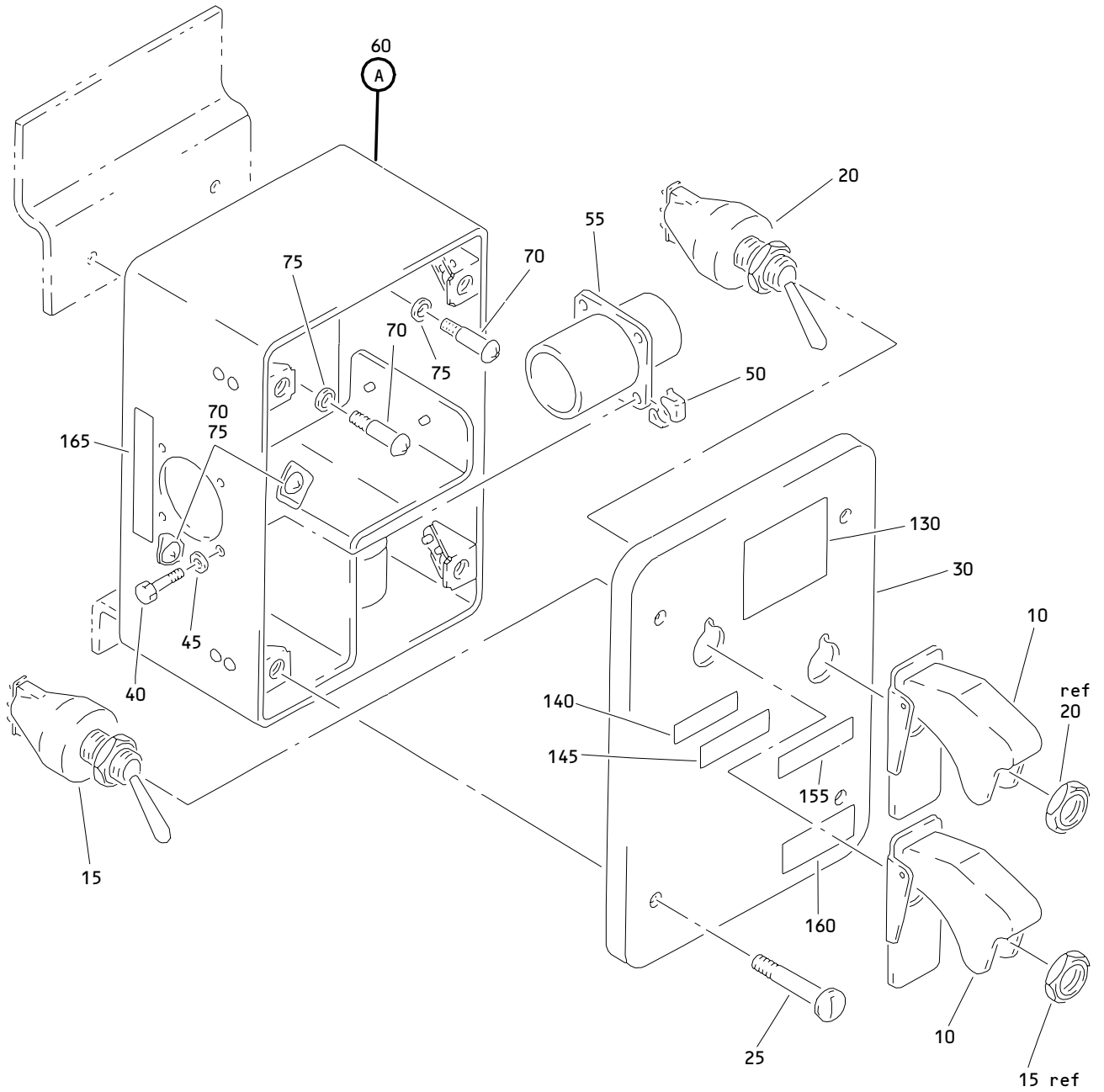
BOEING
COMPONENT
MAINTENANCE MANUAL

FIG. & ITEM	PART NO.	AIRLINE PART NUMBER	NOMENCLATURE 1234567	EFF CODE	QTY PER ASSY
05-					
-1	315T3154-24		DELETED		
-5	315T3154-36		DELETED		
10	315T3154-23		DELETED		
			ATTACHING PARTS		
15	BACR15FT6KE		DELETED		
20	BACR15BB5AD		DELETED		
25	315T3633-67		DELETED		
30	315T3154-8		DELETED		
35	315T3154-7		DELETED		
40	315T3154-6		DELETED		
45	BACR15FT6KE		DELETED		
50	BACR15BB5AD		DELETED		
55	315T3633-68		DELETED		
60	315T3154-10		DELETED		
65	315T3154-9		DELETED		
70	315T3154-16		DELETED		
75	315T3154-15		DELETED		
80	315T3154-16		DELETED		
85	315T3154-15		DELETED		
90	BACR15BB6AD		DELETED		
95	315T3154-17		DELETED		
100	315T3154-18		DELETED		
105	BACR15BB6AD		DELETED		
110	315T3154-13		DELETED		
115	315T3154-14		DELETED		
120	HL10VAZ6-4		DELETED		
125	HL79-6		DELETED		
130	315T3154-11		DELETED		

- Item Not Illustrated

78-31-41

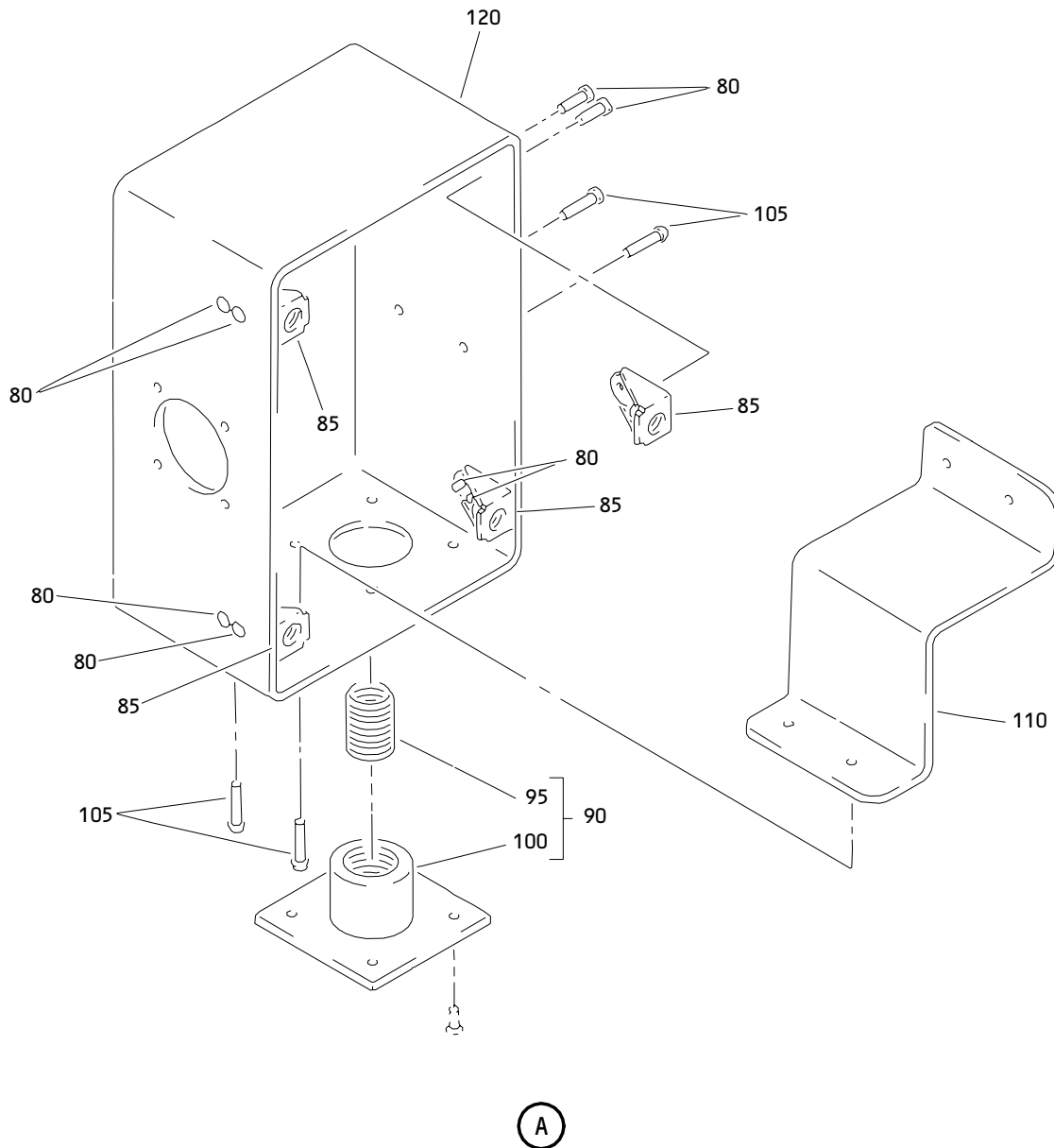
ILLUSTRATED PARTS LIST
01.1 Page 1038Y
Nov 01/03



Override Actuator Switch Installation (Variable) (LH)
Figure 6 (Sheet 1)

78-31-41

ILLUSTRATED PARTS LIST
01.101 Page 1039
Nov 01/03



(A)

Override Actuator Switch Installation (Variable) (LH)
Figure 6 (Sheet 2)

78-31-41

ILLUSTRATED PARTS LIST
01.1 Page 1040
Nov 01/03

BOEING
COMPONENT
MAINTENANCE MANUAL

FIG. & ITEM	PART NO.	AIRLINE PART NUMBER	NOMENCLATURE 1234567	EFF CODE	QTY PER ASSY
06- -1	315T3655-9		SWITCH INSTL-OVERRIDE ACTR (VARIABLE) (LH)	G,N,X ,AR,A ,S,AZ, ,DE,DG ,EC ,EE,EG ,EJ,E ,L,EN, ,FG,FJ ,FN ,FQ,FX ,FZ, ,GF,GK	RF
-5	315T3655-10		SWITCH INSTL-OVERRIDE ACTR (VARIABLE) (RH)	AC,AD ,AL,B ,D,BE, ,BP,DF ,DH ,ED,EF ,EH,E ,K,EM, ,EP,FH ,FK ,FT,FV ,GB, ,GD,GH ,GM	RF
-7	315T3655-5001		.COLLECTOR-LIMITED PART	G,N,X ,AR,A ,S,AZ, ,DE,DG ,EC ,EE,EG ,EJ,E ,L,EN, ,FG,FJ ,FN ,FQ,FX ,FZ, ,GF,GK	1

78-31-41

ILLUSTRATED PARTS LIST
01.1 Page 1040A
Nov 01/03

FIG. & ITEM	PART NO.	AIRLINE PART NUMBER	NOMENCLATURE 1234567	EFF CODE	QTY PER ASSY
06- -7A	315T3655-5002		.COLLECTOR-LIMITED PART	G,N,X ,AR,A ,S,AZ, ,DE,DG ,EC ,EE,EG ,EJ,E ,L,EN, ,FG,FJ ,FN ,FQ,FX ,FZ, ,GF,GK	1
-7B	315T3655-5003		.COLLECTOR-LIMITED PART	G,N,X ,AR,A ,S,AZ, ,DE,DG ,EC ,EE,EG ,EJ,E ,L,EN, ,FG,FJ ,FN ,FQ,FX ,FZ, ,GF,GK	1
-8	315T3655-5004		.COLLECTOR-LIMITED PART	AC,AD ,AL,B ,D,BE, ,BP,DF ,DH ,ED,EF ,EH,E ,K,EM, ,EP,FH ,FK ,FT,FV ,GB, ,GD,GH ,GM	1

78-31-41

 ILLUSTRATED PARTS LIST
 01.1 Page 1040B
 Nov 01/03

 **BOEING**
COMPONENT
MAINTENANCE MANUAL

FIG. & ITEM	PART NO.	AIRLINE PART NUMBER	NOMENCLATURE 1234567	EFF CODE	QTY PER ASSY
06- -8A	315T3655-5005		.COLLECTOR-LIMITED PART	AC,AD ,AL,B D,BE, BP,DF ,DH ED,EF ,EH,E K,EM, EP,FH ,FK FT,FV ,GB, GD,GH ,GM	1
-8B	315T3655-5006		.COLLECTOR-LIMITED PART	AC,AD ,AL,B D,BE, BP,DF ,DH ED,EF ,EH,E K,EM, EP,FH ,FK FT,FV ,GB, GD,GH ,GM	1

78-31-41

ILLUSTRATED PARTS LIST
01.1 Page 1040C
Nov 01/03

FIG. & ITEM	PART NO.	AIRLINE PART NUMBER	NOMENCLATURE 1234567	EFF CODE	QTY PER ASSY
06-10	MS25224-3		.. GUARD	G,N,X ,AC,A D,AL, AR,AS ,AZ BD,BE ,BP,D E-DH, EC-EP FG-FK ,FN,F Q,FT, FV,FX ,FZ GB,GD ,GF,G H,GK, GM	2
15	65408		.. SWITCH-TG (V02005)	G,N,X ,AC,A D,AL, AR,AS ,AZ BD,BE ,BP,D E-DH, EC-EP FG-FK ,FN,F Q,FT, FV,FX ,FZ GB,GD ,GF,G H,GK, GM	1

78-31-41

 ILLUSTRATED PARTS LIST
 01.1 Page 1040D
 Nov 01/03

FIG. & ITEM	PART NO.	AIRLINE PART NUMBER	NOMENCLATURE	EFF CODE	QTY PER ASSY
06-20	65407		..SWITCH-TG (V02005)	G,N,X ,AC,A D,AL, AR,AS ,AZ BD,BE ,BP,D E-DH, EC-EP FG-FK ,FN,F Q,FT, FV,FX ,FZ GB,GD ,GF,G H,GK, GM	1
25	AN525-10R6		..SCREW	G,N,X ,AC,A D,AL, AR,AS ,AZ BD,BE ,BP,D E-DH, EC-EP FG-FK ,FN,F Q,FT, FV,FX ,FZ GB,GD ,GF,G H,GK, GM	4

78-31-41

ILLUSTRATED PARTS LIST
01.1 Page 1040E
Nov 01/03

FIG. & ITEM	PART NO.	AIRLINE PART NUMBER	NOMENCLATURE	EFF CODE	QTY PER ASSY
06-30	315T3656-17		..COVER	G,N,X ,AR,A ,S,AZ, ,DE,DG ,EC ,EE,EG ,EJ,E ,L,EN, ,FG,FJ ,FN ,FQ,FX ,FZ, ,GF,GK	1
-35	315T3656-10		..COVER	AC,AD ,AL,B ,D,BE, ,BP,DF ,DH ,ED,EF ,EH,E ,K,EM, ,EP,FH ,FK ,FT,FV ,GB, ,GD,GH ,GM	1
40	BACS12CB04-5		..SCREW	G,N,X ,AC,A ,D,AL, ,AR,AS ,AZ ,BD,BE ,BP,D ,E-DH, ,EC-EP ,FG-FK ,FN,F ,Q,FT, ,FV,FX ,FZ ,GB,GD ,GF,G ,H,GK, ,GM	4

78-31-41

 ILLUSTRATED PARTS LIST
 01.1 Page 1040F
 Nov 01/03

FIG. & ITEM	PART NO.	AIRLINE PART NUMBER	NOMENCLATURE 1234567	EFF CODE	QTY PER ASSY
06-45	AN960XC4L		..WASHER	G,N,X ,AC,A D,AL, AR,AS ,AZ BD,BE ,BP,D E-DH, EC-EP FG-FK ,FN,F Q,FT, FV,FX ,FZ GB,GD ,GF,G H,GK, GM	4
50	132003		..NUT- (V60119) (SPEC BACN10XP1) (OPT 132003 (V76530))	G,N,X ,AC,A D,AL, AR,AS ,AZ BD,BE ,BP,D E-DH, EC-EP FG-FK ,FN,F Q,FT, FV,FX ,FZ GB,GD ,GF,G H,GK, GM	4

78-31-41

ILLUSTRATED PARTS LIST
01.1 Page 1040G
Nov 01/03

FIG. & ITEM	PART NO.	AIRLINE PART NUMBER	NOMENCLATURE	EFF CODE	QTY PER ASSY
06-55	R071914-7P		1234567 ..CONNECTOR- (V41118) (SPEC BACC45FM14-7P) (OPT C48-00R14-7P102 (V13556)) (OPT ZZYAC1714-7P (V49367)) (OPT 48-00R14-7P300 (V02660))	G,N,X ,AC,A D,AL, AR,AS ,AZ BD,BE ,BP,D E-DH, EC-EP FG-FK ,FN,F Q,FT, FV,FX ,FZ GB,GD ,GF,G H,GK, GM	1
60	315T3656-21		..BOX ASSY-JCT	G,N,X ,AR,A S,AZ, DE,DG ,EC EE,EG ,EJ,E L,EN, FG,FJ ,FN FQ,FX ,FZ, GF,GK	1

78-31-41

 ILLUSTRATED PARTS LIST
 01.1 Page 1040H
 Nov 01/03

FIG. & ITEM	PART NO.	AIRLINE PART NUMBER	NOMENCLATURE	EFF CODE	QTY PER ASSY
06- -65	315T3656-20		1234567 ..BOX ASSY-JCT	AC,AD ,AL,B D,BE, BP,DF ,DH ED,EF ,EH,E K,EM, EP,FH ,FK FT,FV ,GB, GD,GH ,GM	1
70	BACB30LK3-2		..BOLT	G,N,X ,AC,A D,AL, AR,AS ,AZ BD,BE ,BP,D E-DH, EC-EP FG-FK ,FN,F Q,FT, FV,FX ,FZ GB,GD ,GF,G H,GK, GM	4

78-31-41

ILLUSTRATED PARTS LIST
01.1 Page 1040I
Nov 01/03

FIG. & ITEM	PART NO.	AIRLINE PART NUMBER	NOMENCLATURE 1234567	EFF CODE	QTY PER ASSY
06-75	AN960KD10L		..WASHER -----*-----	G,N,X ,AC,A D,AL, AR,AS ,AZ BD,BE ,BP,D E-DH, EC-EP FG-FK ,FN,F Q,FT, FV,FX ,FZ GB,GD ,GF,G H,GK, GM	4
80	BACR15BB3AD		...RIVET- (SIZE DETERMINE ON INST)	G,N,X ,AC,A D,AL, AR,AS ,AZ BD,BE ,BP,D E-DH, EC-EP FG-FK ,FN,F Q,FT, FV,FX ,FZ GB,GD ,GF,G H,GK, GM	8

78-31-41

 ILLUSTRATED PARTS LIST
 01.1 Page 1040J
 Nov 01/03

FIG. & ITEM	PART NO.	AIRLINE PART NUMBER	NOMENCLATURE 1234567	EFF CODE	QTY PER ASSY
06-85	MF6000-3		...NUTPLATE- (V15653) (SPEC BACN10KJ3)	G,N,X ,AC,A D,AL, AR,AS ,AZ BD,BE ,BP,D E-DH, EC-EP FG-FK ,FN,F Q,FT, FV,FX ,FZ GB,GD ,GF,G H,GK, GM	4
90	315T3245-1		...RETAINER ASSY- DEACTIVATION PIN	G,N,X ,AC,A D,AL, AR,AS ,AZ BD,BE ,BP,D E-DH, EC-EP FG-FK ,FN,F Q,FT, FV,FX ,FZ GB,GD ,GF,G H,GK, GM	1

78-31-41

ILLUSTRATED PARTS LIST
01.1 Page 1040K
Nov 01/03

FIG. & ITEM	PART NO.	AIRLINE PART NUMBER	NOMENCLATURE	EFF CODE	QTY PER ASSY
06-95	MS21209F8-10	INSERT	G,N,X ,AC,A D,AL, AR,AS ,AZ BD,BE ,BP,D E-DH, EC-EP FG-FK ,FN,F Q,FT, FV,FX ,FZ GB,GD ,GF,G H,GK, GM	1
100	315T3245-2	RETAINER	G,N,X ,AC,A D,AL, AR,AS ,AZ BD,BE ,BP,D E-DH, EC-EP FG-FK ,FN,F Q,FT, FV,FX ,FZ GB,GD ,GF,G H,GK, GM	1

78-31-41

 ILLUSTRATED PARTS LIST
 01.1 Page 1040L
 Nov 01/03

FIG. & ITEM	PART NO.	AIRLINE PART NUMBER	NOMENCLATURE 1234567	EFF CODE	QTY PER ASSY
06-105	BACR15BB4AD		...RIVET- (SIZE DETERMINE ON INST)	G,N,X ,AC,A D,AL, AR,AS ,AZ BD,BE ,BP,D E-DH, EC-EP FG-FK ,FN,F Q,FT, FV,FX ,FZ GB,GD ,GF,G H,GK, GM	4
110	315T3658-10		...ANGLE	G,N,X ,AR,A S,AZ, DE,DG ,EC EE,EG ,EJ,E L,EN, FG,FJ ,FN FQ,FX ,FZ, GF,GK	1
-115	315T3658-1		...ANGLE	AC,AD ,AL,B D,BE, BP,DF ,DH ED,EF ,EH,E K,EM, EP,FH ,FK FT,FV ,GB, GD,GH ,GM	1

78-31-41

FIG. & ITEM	PART NO.	AIRLINE PART NUMBER	NOMENCLATURE	EFF CODE	QTY PER ASSY
06-120	315T3656-7		1234567 ...BOX	G,N,X ,AR,A ,S,AZ, ,DE,DG ,EC ,EE,EG ,EJ,E ,L,EN, ,FG,FJ ,FN ,FQ,FX ,FZ, ,GF,GK	1
-125	315T3656-8		...BOX	AC,AD ,AL,B ,D,BE, ,BP,DF ,DH ,ED,EF ,EH,E ,K,EM, ,EP,FH ,FK ,FT,FV ,GB, ,GD,GH ,GM	1
130	BAC27TTR0001		..MARKER-ALUMINUM FOIL- LH COWL	G,N,X ,AR,A ,S,AZ, ,DE,DG ,EC ,EE,EG ,EJ,E ,L,EN, ,FG,FJ ,FN ,FQ,FX ,FZ, ,GF,GK	1

78-31-41

 ILLUSTRATED PARTS LIST
 01.1 Page 1040N
 Nov 01/03

BOEING
COMPONENT
MAINTENANCE MANUAL

FIG. & ITEM	PART NO.	AIRLINE PART NUMBER	NOMENCLATURE	EFF CODE	QTY PER ASSY
06- -135	BAC27TTR0002		1234567 ..MARKER-ALUMINUM FOIL- RH COWL	AC,AD ,AL,B D,BE, BP,DF ,DH ED,EF ,EH,E K,EM, EP,FH ,FK FT,FV ,GB, GD,GH ,GM	1
140	BAC27TTR0003		..MARKER-ALUMINUM FOIL- OPEN	G,N,X ,AC,A D,AL, AR,AS ,AZ BD,BE ,BP,D E-DH, EC-EP FG-FK ,FN,F Q,FT, FV,FX ,FZ GB,GD ,GF,G H,GK, GM	1

78-31-41

ILLUSTRATED PARTS LIST
01.1 Page 10400
Nov 01/03

FIG. & ITEM	PART NO.	AIRLINE PART NUMBER	NOMENCLATURE 1234567	EFF CODE	QTY PER ASSY
06-145	BAC27TTR0051		..MARKER-ALUMINUM FOIL- M3772	G,N,X ,AR,A ,S,AZ, ,DE,DG ,EC ,EE,EG ,EJ,E ,L,EN, ,FG,FJ ,FN,FQ ,FX,F ,Z,GF, GK	1
-150	BAC27TTR0052		..MARKER-ALUMINUM FOIL- M3773	AC,AD ,AL,B ,D,BE, ,BP,DF ,DH ,ED,EF ,EH,E ,K,EM, ,EP,FH ,FK ,FT,FV ,GB, ,GD,GH ,GM	1
155	BAC27TTR0004		..MARKER-ALUMINUM FOIL- CLOSE	G,N,X ,AC,A ,D,AL, ,AR,AS ,AZ ,BD,BE ,BP,D ,E-DH, ,EC-EP ,FG-FK ,FN,F ,Q,FT, ,FV,FX ,FZ ,GB,GD ,GF,G ,H,GK, GM	1

78-31-41

 ILLUSTRATED PARTS LIST
 01.1 Page 1040P
 Nov 01/03

BOEING
COMPONENT
MAINTENANCE MANUAL

FIG. & ITEM	PART NO.	AIRLINE PART NUMBER	NOMENCLATURE	EFF CODE	QTY PER ASSY
06-160	BAC27TTR0006		1234567 ..MARKER-ALUMINUM FOIL-PIN STOWAGE	G,N,X ,AC,A D,AL, AR,AS ,AZ BD,BE ,BP,D E-DH, EC-EP FG-FK ,FN,F Q,FT, FV,FX ,FZ GB,GD ,GF,G H,GK, GM	1
165	BAC27TTR0012		..MARKER-ALUMINUM FOIL-M/WD164	G,N,X ,AR,A S,AZ, DE,DG ,EC EE,EG ,EJ,E L,EN, FG,FJ ,FN FQ,FX ,FZ, GF,GK	1

78-31-41

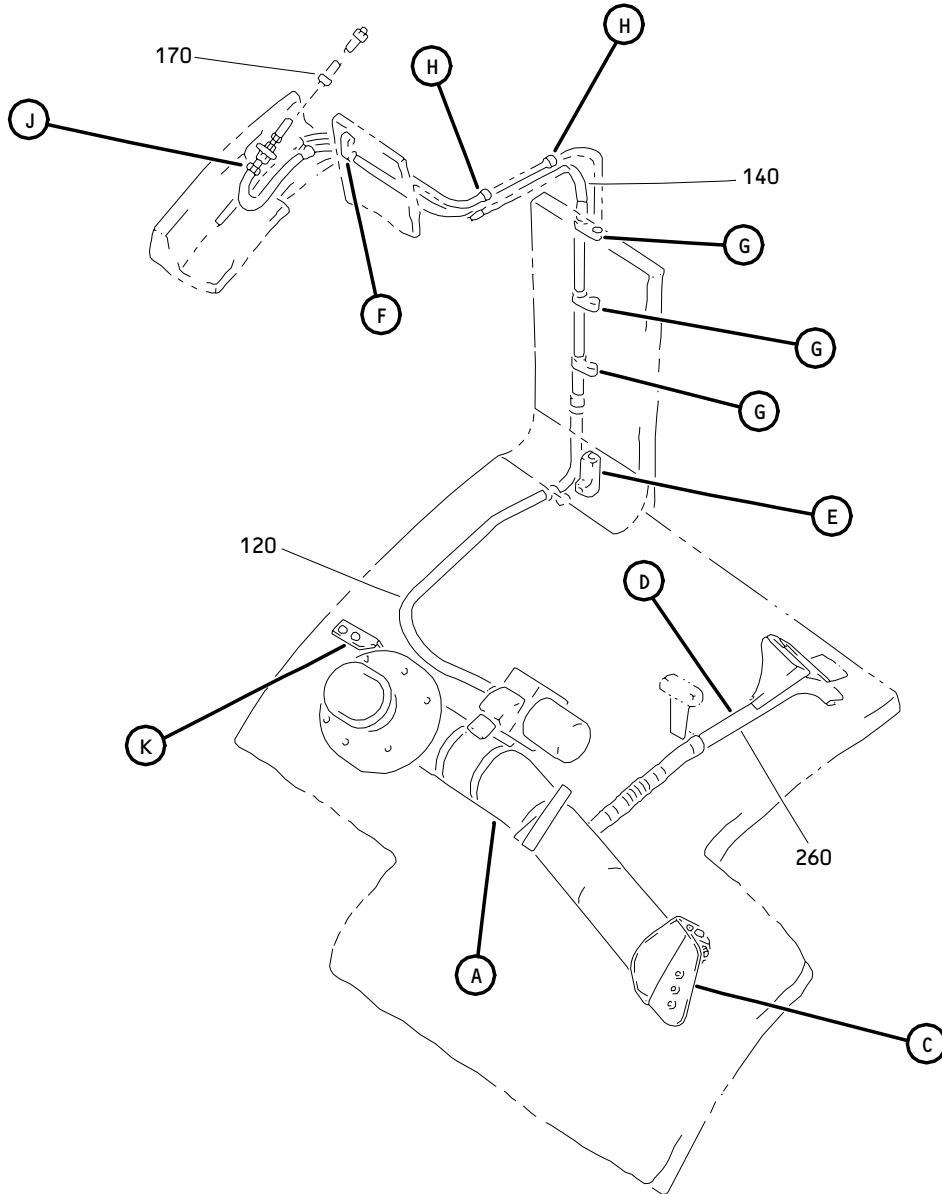
ILLUSTRATED PARTS LIST
01.1 Page 1040Q
Nov 01/03

FIG. & ITEM	PART NO.	AIRLINE PART NUMBER	NOMENCLATURE	EFF CODE	QTY PER ASSY
06-170	BAC27TTR0013		1234567 ..MARKER-ALUMINUM FOIL- M/WD166	AC,AD ,AL,B D,BE, BP,DF ,DH ED,EF ,EH,E K,EM, EP,FH ,FK FT,FV ,GB, GD,GH ,GM	1

- Item Not Illustrated

78-31-41

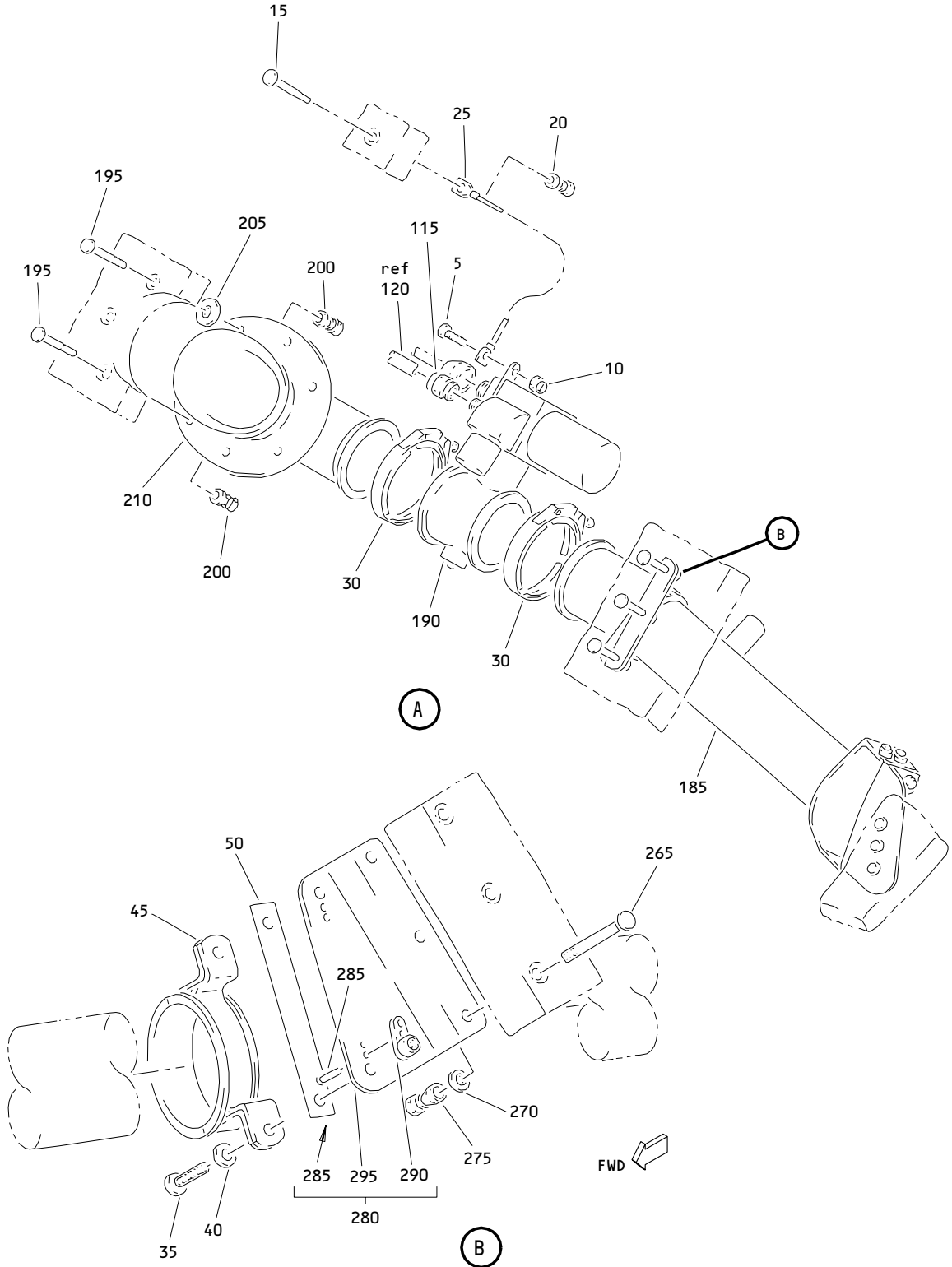
ILLUSTRATED PARTS LIST
01.1 Page 1040R
Nov 01/03



Zone Ventilation System Installation
Figure 7 (Sheet 1)

78-31-41

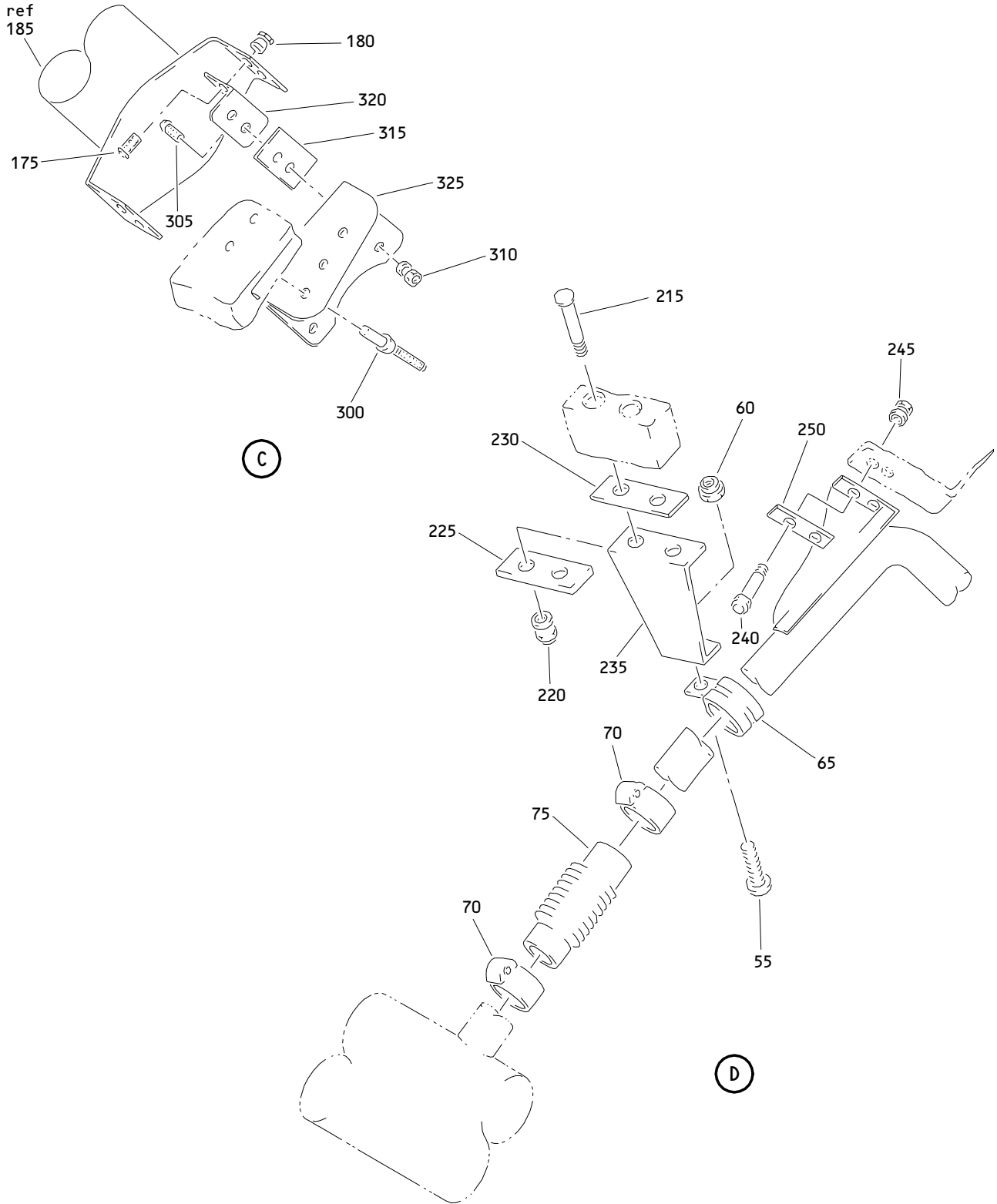
ILLUSTRATED PARTS LIST
01.101 Page 1040T
Nov 01/03



Zone Ventilation System Installation
Figure 7 (Sheet 2)

78-31-41

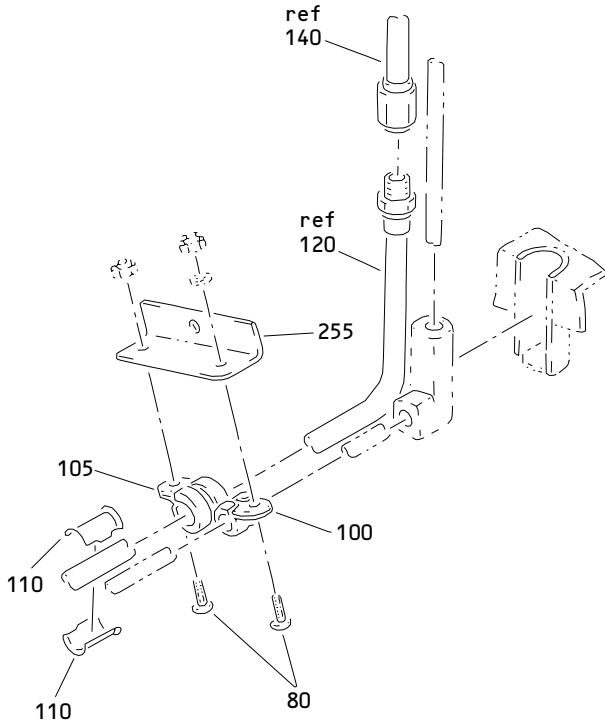
ILLUSTRATED PARTS LIST
01.101 Page 1040U
Nov 01/03



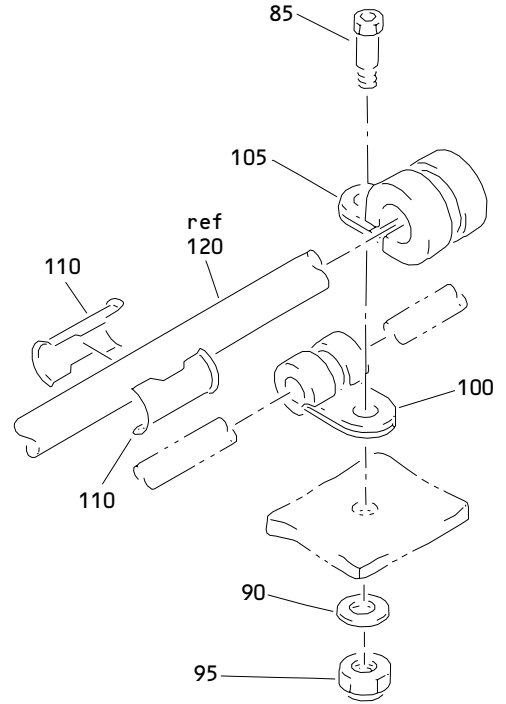
Zone Ventilation System Installation
 Figure 7 (Sheet 3)

78-31-41

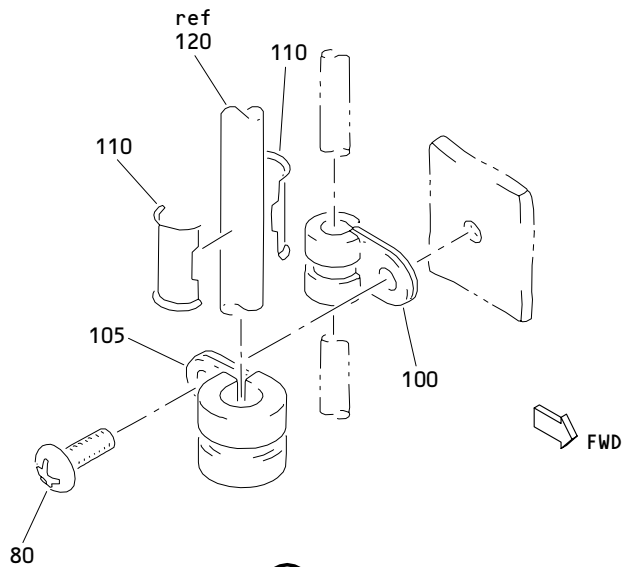
ILLUSTRATED PARTS LIST
 01.101 Page 1040V
 Nov 01/03



(E)



(F)

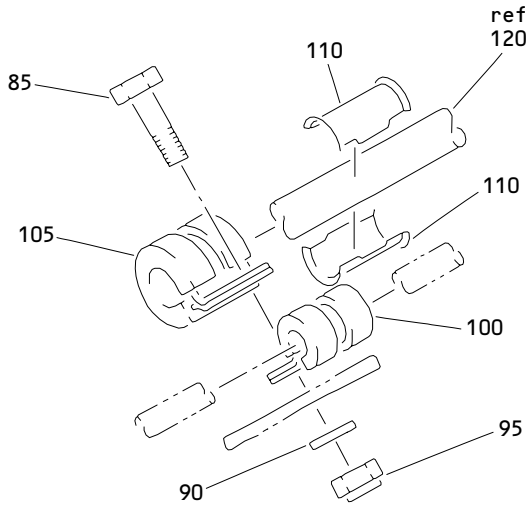


(G)

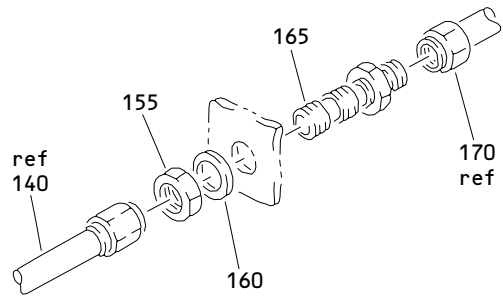
Zone Ventilation System Installation
Figure 7 (Sheet 4)

78-31-41

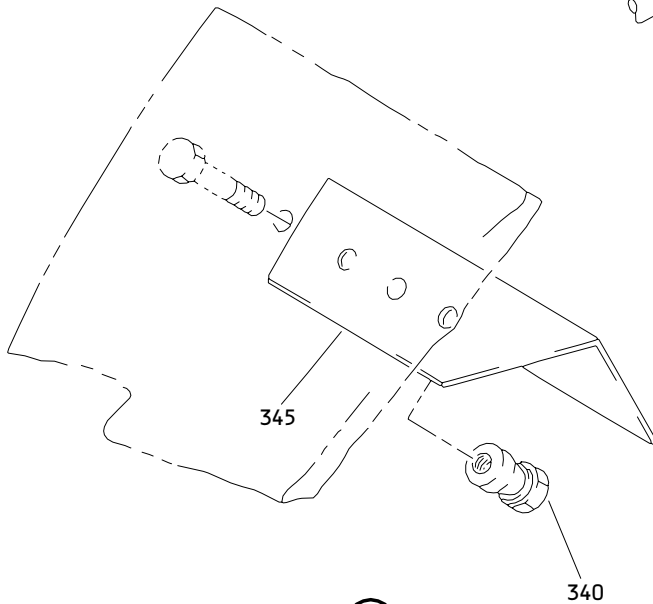
ILLUSTRATED PARTS LIST
01.101 Page 1040W
Nov 01/03



(H)



(J)



(K)

Zone Ventilation System Installation
 Figure 7 (Sheet 5)

78-31-41

ILLUSTRATED PARTS LIST
 01.101 Page 1040X
 Nov 01/03

BOEING
COMPONENT
MAINTENANCE MANUAL

FIG. & ITEM	PART NO.	AIRLINE PART NUMBER	NOMENCLATURE	EFF CODE	QTY PER ASSY
07- -1	315T3128-27		1234567 SYSTEM INSTL-ZONE VENTILATION (REWORK)	G,N, R-T,W ,AR-A W,BQ, BS,BW CC,CW G-CJ, CR-CT ,EG,E J,EL EN,EQ ,ES,E U,EV, EY,EZ	RF
5	BACS12CK4U8		.SCREW	G,N, R-T,W ,AR-A W,BQ, BS,BW CC,CW G-CJ, CR-CT ,EG,E J,EL EN,EQ ,ES,E U,EV, EY,EZ	1
10	BRH10C4M		.NUT- (V52828) (SPEC BACN10JC4CM) (OPT T6C428JM (V11815)) (OPT 97E48 (V80539)) (OPT 109LH9075-4W (V72962)) (OPT VN303D048 (V92215)) (OPT 9NS202101SE048 (VA8053)) (OPT H01-4BAC (V15653))	G,N, R-T,W ,AR-A W,BQ, BS,BW CC,CW G-CJ, CR-CT ,EG,E J,EL EN,EQ ,ES,E U,EV, EY,EZ	1

78-31-41

ILLUSTRATED PARTS LIST
01.1 Page 1040Y
Nov 01/03

FIG. & ITEM	PART NO.	AIRLINE PART NUMBER	NOMENCLATURE 1234567	EFF CODE	QTY PER ASSY
07-15	BACB30NW6K		.BOLT- (SIZE DETERMINE ON INST)	G,N, R-T,W ,AR-A W,BQ, BS,BW CC,CW G-CJ, CR-CT ,EG,E J,EL EN,EQ ,ES,E U,EV, EY,EZ	1
20	HL79-6		.COLLAR- (V5M902) (SPEC BACC30M6) (OPT HL79-6 (V73197)) (OPT HL79-6 (V92215)) (OPT 66014-6 (V56878)) (OPT HL79-6 (V56878))	G,N, R-T,W ,AR-A W,BQ, BS,BW CC,CW G-CJ, CR-CT ,EG,E J,EL EN,EQ ,ES,E U,EV, EY,EZ	1
25	BACJ40A21-8		.JUMPER ASSY	G,N, R-T,W ,AR-A W,BQ, BS,BW CC,CW G-CJ, CR-CT ,EG,E J,EL EN,EQ ,ES,E U,EV, EY,EZ	1

78-31-41

 ILLUSTRATED PARTS LIST
 01.1 Page 1040Z
 Nov 01/03

BOEING
COMPONENT
MAINTENANCE MANUAL

FIG. & ITEM	PART NO.	AIRLINE PART NUMBER	NOMENCLATURE	EFF CODE	QTY PER ASSY
07-30	14J29300		.CLAMP- (V5T400) (SPEC BACC10GY300) (OPT 4385AF300 (V94581)) (OPT PDVC1137300 (V14242)) (OPT NM102701300 (V8W928))	G,N, R-T,W ,AR-A W,BQ, BS,BW CC,CW G-CJ, CR-CT ,EG,E J,EL EN,EQ ,ES,E U,EV, EY,EZ	2
35	BACS12CK3U8		.SCREW	G,N, R-T,W ,AR-A W,BQ, BS,BW CC,CW G-CJ, CR-CT ,EG,E J,EL EN,EQ ,ES,E U,EV, EY,EZ	2
40	AN960C10L		.WASHER	G,N, R-T,W ,AR-A W,BQ, BS,BW CC,CW G-CJ, CR-CT ,EG,E J,EL EN,EQ ,ES,E U,EV, EY,EZ	2

78-31-41

FIG. & ITEM	PART NO.	AIRLINE PART NUMBER	NOMENCLATURE 1234567	EFF CODE	QTY PER ASSY
07-45	NAS1716C48M		.CLAMP ASSY	G,N, R-T,W ,AR-A W,BQ, BS,BW CC,CW G-CJ, CR-CT ,EG,E J,EL EN,EQ ,ES,E U,EV, EY,EZ	1
50	BACS40R006W044		.SHIM	G,N, R-T,W ,AR-A W,BQ, BS,BW CC,CW G-CJ, CR-CT ,EG,E J,EL EN,EQ ,ES,E U,EV, EY,EZ	1
55	BACS12CK3U8		.SCREW	G,N, R-T,W ,AR-A W,BQ, BS,BW CC,CW G-CJ, CR-CT ,EG,E J,EL EN,EQ ,ES,E U,EV, EY,EZ	1

78-31-41

 ILLUSTRATED PARTS LIST
 01.1 Page 1042
 Nov 01/03

 **BOEING**
COMPONENT
MAINTENANCE MANUAL

FIG. & ITEM	PART NO.	AIRLINE PART NUMBER	NOMENCLATURE 1234567	EFF CODE	QTY PER ASSY
07-60	BRH10C3M		.NUT- (V52828) (SPEC BACN10JC3CM) (OPT T6C1032JM (V11815)) (OPT 97E02 (V80539)) (OPT 109LH9075-3W (V72962)) (OPT VN303D02 (V92215)) (OPT NS202101SE02 (V80539)) (OPT H01-3BAC (V15653))	G,N, R-T,W ,AR-A W,BQ, BS,BW CC,CW G-CJ, CR-CT ,EG,E J,EL EN,EQ ,ES,E U,EV, EY,EZ	1
65	JM44LC13WH12R		.CLAMP- (V22175) (SPEC BACC10GE12C) (OPT S369WHSS12 (V18076)) (OPT TA12C32WH12 (V84971)) (OPT 509SS12 (V83930))	G,N, R-T,W ,AR-A W,BQ, BS,BW CC,CW G-CJ, CR-CT ,EG,E J,EL EN,EQ ,ES,E U,EV, EY,EZ	1

78-31-41

ILLUSTRATED PARTS LIST
01.1 Page 1042A
Nov 01/03

FIG. & ITEM	PART NO.	AIRLINE PART NUMBER	NOMENCLATURE	EFF CODE	QTY PER ASSY
07-70	MS35842-11		.CLAMP	G,N, R-T,W ,AR-A W,BQ, BS,BW CC,CW G-CJ, CR-CT ,EG,E J,EL EN,EQ ,ES,E U,EV, EY,EZ	2
75	BACD40B3-9-5-30		.HOSE-AIR	G,N, R-T,W ,AR-A W,BQ, BS,BW CC,CW G-CJ, CR-CT ,EG,E J,EL EN,EQ ,ES,E U,EV, EY,EZ	1
80	BACS12CK3U8		.SCREW	G,N, R-T,W ,AR-A W,BQ, BS,BW CC,CW G-CJ, CR-CT ,EG,E J,EL EN,EQ ,ES,E U,EV, EY,EZ	5

78-31-41

 ILLUSTRATED PARTS LIST
 01.1 Page 1042B
 Nov 01/03

 **BOEING**
COMPONENT
MAINTENANCE MANUAL

FIG. & ITEM	PART NO.	AIRLINE PART NUMBER	NOMENCLATURE	EFF CODE	QTY PER ASSY
07-85	BACB30LM3U4		.BOLT	G,N, R-T,W ,AR-A W,BQ, BS,BW CC,CW G-CJ, CR-CT ,EG,E J,EL EN,EQ ,ES,E U,EV, EY,EZ	3
90	AN960PD10		.WASHER	G,N, R-T,W ,AR-A W,BQ, BS,BW CC,CW G-CJ, CR-CT ,EG,E J,EL EN,EQ ,ES,E U,EV, EY,EZ	3
95	H10-3BAC		.NUT- (V15653) (SPEC BACN10JC3) (OPT NS202101-02 (V80539)) (OPT RMLH9075-3W (V72962)) (OPT T6S1032J (V71087)) (OPT VN303A02 (V92215)) (OPT 96-02 (V80539)) (OPT BRH10A3 (V52828))	G,N, R-T,W ,AR-A W,BQ, BS,BW CC,CW G-CJ, CR-CT ,EG,E J,EL EN,EQ ,ES,E U,EV, EY,EZ	3

78-31-41

ILLUSTRATED PARTS LIST
01.1 Page 1042C
Nov 01/03

FIG. & ITEM	PART NO.	AIRLINE PART NUMBER	NOMENCLATURE 1234567	EFF CODE	QTY PER ASSY
07-100	025029-06		.CLAMP- (V84971) (SPEC BACC10HS6) (OPT 490-06RPB (V83930))	G,N, R-T,W ,AR-A W,BQ, BS,BW CC,CW G-CJ, CR-CT ,EG,E J,EL EN,EQ ,ES,E U,EV, EY,EZ	7
105	BACC10EP6		.CLAMP	G,N, R-T,W ,AR-A W,BQ, BS,BW CC,CW G-CJ, CR-CT ,EG,E J,EL EN,EQ ,ES,E U,EV, EY,EZ	AR
110	BACC10GT2-06		.CLAMPSHELL- (V83930) (SPEC BACC10GT2-06)	G,N, R-T,W ,AR-A W,BQ, BS,BW CC,CW G-CJ, CR-CT ,EG,E J,EL EN,EQ ,ES,E U,EV, EY,EZ	14

78-31-41

 ILLUSTRATED PARTS LIST
 01.1 Page 1042D
 Nov 01/03

BOEING
COMPONENT
MAINTENANCE MANUAL

FIG. & ITEM	PART NO.	AIRLINE PART NUMBER	NOMENCLATURE	EFF CODE	QTY PER ASSY
07-115	MS21902J6		.UNION	G,N, R-T,W ,AR-A W,BQ, BS,BW CC,CW G-CJ, CR-CT ,EG,E J,EL EN,EQ ,ES,E U,EV, EY,EZ	1
117	AS568-906S32		.PACKING- (V11314) (SPEC BACP11K6) (OPT 150701-06 (V95272)) (OPT 3-906S383-70 (V02697)) (OPT R1131-906 (V57268)) (OPT R1131-906 (V57268))	G,N, R-T,W ,AR-A W,BQ, BS,BW CC,CW G-CJ, CR-CT ,EG,E J,EL EN,EQ ,ES,E U,EV, EY,EZ	1
120	315T3128-11		.TUBE ASSY- (MFD FROM TUBING CRES 21-6-9 BMS7-185 F-25.01 0.375 IN. OD 0.020 IN. WALL 31.5 IN. LG)	G,N, R-T,W ,AR-A W,BQ, BS,BW CC,CW G-CJ, CR-CT ,EG,E J,EL EN,EQ ,ES,E U,EV, EY,EZ	1

78-31-41

ILLUSTRATED PARTS LIST
01.1 Page 1042E
Nov 01/03

FIG. & ITEM	PART NO.	AIRLINE PART NUMBER	NOMENCLATURE 1234567	EFF CODE	QTY PER ASSY
07- -125	DB0S13BX06H		..SLEEVE- (V14798) (SPEC BACS13BX06H) (OPT 2-02903-06H (V11328)) (OPT 35235V06 (V08199)) (OPT AP2097-06H (V01673)) (OPT AFP175V06 (V30974))	G,N, R-T,W ,AR-A W,BQ, BS,BW CC,CW G-CJ, CR-CT ,EG,E J,EL EN,EQ ,ES,E U,EV, EY,EZ	1
-130	MS21921-6J		..NUT	G,N, R-T,W ,AR-A W,BQ, BS,BW CC,CW G-CJ, CR-CT ,EG,E J,EL EN,EQ ,ES,E U,EV, EY,EZ	1
-135	DB0U24AB6H		..UNION- (V14798) (SPEC BACU24AB6H) (OPT 2-01027-6H (V11328)) (OPT 31875-6H (V14397)) (OPT 4671097H6 (V50948)) (OPT 35056V06 (V08199)) (OPT AP1004H06 (V01673)) (OPT AFP941H6 (V30974))	G,N, R-T,W ,AR-A W,BQ, BS,BW CC,CW G-CJ, CR-CT ,EG,E J,EL EN,EQ ,ES,E U,EV, EY,EZ	1

78-31-41

 ILLUSTRATED PARTS LIST
 01.1 Page 1042F
 Nov 01/03

 **BOEING**
COMPONENT
MAINTENANCE MANUAL

FIG. & ITEM	PART NO.	AIRLINE PART NUMBER	NOMENCLATURE	EFF CODE	QTY PER ASSY
07-140	315T3128-3		.TUBE ASSY- (REPLD BY ITEM 140A) (MFD FROM TUBING CRES 21-6-9 BMS7-185 F-25.01 0.375 IN. OD 0.028 IN. WALL 55.0 IN. LG)	G,N, R-T,W ,AR-A W,BQ, BS,BW CC,CW G-CJ, CR-CT ,EG,E J,EL EN,EQ ,ES,E U,EV, EY,EZ	1
-140A	315T3128-25		.TUBE ASSY- (REPLS ITEM 140) (MFD FROM TUBING ALUM MAGN 0.345 OD 0.035W 55.0 LG 6061T6 WWT700-6)	G,N, R-T,W ,AR-A W,BQ, BS,BW CC,CW G-CJ, CR-CT ,EG,E J,EL EN,EQ ,ES,E U,EV, EY,EZ	1
-145	DB0S13BX06H		..SLEEVE- (V14798) (SPEC BACS13BX06H) (OPT 2-02903-06H (V11328)) (OPT 35235V06 (V08199)) (OPT AP2097-06H (V01673)) (OPT AFP175V06 (V30974)) (USED ON ITEM 140)	G,N, R-T,W ,AR-A W,BQ, BS,BW CC,CW G-CJ, CR-CT ,EG,E J,EL EN,EQ ,ES,E U,EV, EY,EZ	2

78-31-41

ILLUSTRATED PARTS LIST
01.1 Page 1042G
Nov 01/03

FIG. & ITEM	PART NO.	AIRLINE PART NUMBER	NOMENCLATURE 1234567	EFF CODE	QTY PER ASSY
07- -145A	DB0S13BX06HP		..SLEEVE- (V14798) (SPEC BACS13BX06HP) (OPT 2-02903-06HP (V11328)) (OPT 35235VN06 (V08199)) (OPT AP2097-06HP (V01673)) (OPT AFP175V06P (V30974)) (USED ON ITEM 140A)	G,N, R-T,W ,AR-A W,BQ, BS,BW CC,CW G-CJ, CR-CT ,EG,E J,EL EN,EQ ,ES,E U,EV, EY,EZ	2
-150	MS21921-6J		..NUT	G,N, R-T,W ,AR-A W,BQ, BS,BW CC,CW G-CJ, CR-CT ,EG,E J,EL EN,EQ ,ES,E U,EV, EY,EZ	2
155	AN924-6J		.NUT	G,N, R-T,W ,AR-A W,BQ, BS,BW CC,CW G-CJ, CR-CT ,EG,E J,EL EN,EQ ,ES,E U,EV, EY,EZ	1

78-31-41

 ILLUSTRATED PARTS LIST
 01.1 Page 1042H
 Nov 01/03

 **BOEING**
COMPONENT
MAINTENANCE MANUAL

FIG. & ITEM	PART NO.	AIRLINE PART NUMBER	NOMENCLATURE	EFF CODE	QTY PER ASSY
07-160	AN960C916		.WASHER	G,N, R-T,W ,AR-A W,BQ, BS,BW CC,CW G-CJ, CR-CT ,EG,E J,EL EN,EQ ,ES,E U,EV, EY,EZ	1
165	AFP238-0604J		.UNION- (V30974) (SPEC BACU24AA0604J) (OPT ER832-0604J (V50948)) (OPT LER832-0604J (V11328)) (OPT 2-010890604J (V11328)) (OPT APX832-0604J (V01673)) (OPT DBOU24AA0604J (V61498)) (OPT FER1579-0604J (V14397)) (OPT US2113-0604J (V50808)) (OPT APX832J0604 (V01673))	G,N, R-T,W ,AR-A W,BQ, BS,BW CC,CW G-CJ, CR-CT ,EG,E J,EL EN,EQ ,ES,E U,EV, EY,EZ	1

78-31-41

ILLUSTRATED PARTS LIST
01.1 Page 1042I
Nov 01/03

FIG. & ITEM	PART NO.	AIRLINE PART NUMBER	NOMENCLATURE 1234567	EFF CODE	QTY PER ASSY
07-170	AS161E0150AAN		.HOSE- (V00624) (SPEC BACH5M0150AAN) (OPT B307BBB0150CN (V03925)) (OPT R8918M0150AAN (V06851)) (OPT 95850M0150AAN (V78570)) (OPT R89180150AAN (V06851)) (OPT R89180150AAN (V12157)) (OPT R89180150AAN (V50599)) (OPT AS118E0150AAN (V00624))	G,N, R-T,W ,AR-A W,BQ, BS,BW CC,CW G-CJ, CR-CT ,EG,E J,EL EN,EQ ,ES,E U,EV, EY,EZ	1
175	HL10VAZ5-3		.BOLT- (V60516) (SPEC BACB30MY5K3) (OPT B30MY5K3 (V97928))	G,N, R-T,W ,AR-A W,BQ, BS,BW CC,CW G-CJ, CR-CT ,EG,E J,EL EN,EQ ,ES,E U,EV, EY,EZ	4
180	HL79-5		.COLLAR- (V5M902) (SPEC BACC30M5) (OPT HL70-5 (V73197)) (OPT HL70-5 (V92215)) (OPT 66014-5 (V56878)) (OPT HL70-5 (V56878))	G,N, R-T,W ,AR-A W,BQ, BS,BW CC,CW G-CJ, CR-CT ,EG,E J,EL EN,EQ ,ES,E U,EV, EY,EZ	4

78-31-41

 ILLUSTRATED PARTS LIST
 01.1 Page 1042J
 Nov 01/03

BOEING
COMPONENT
MAINTENANCE MANUAL

FIG. & ITEM	PART NO.	AIRLINE PART NUMBER	NOMENCLATURE 1234567	EFF CODE	QTY PER ASSY
07-185	315T3120-37		.DUCT ASSY-(REWORK)	G,N, R-T,W ,AR-A W,BQ, BS,BW CC,CW G-CJ, CR-CT ,EG,E J,EL EN,EQ ,ES,E U,EV, EY,EZ	1
190	5830205-101		.VALVE-SHUT OFF (V92003) (SPEC S315T106-3) (OPT 5830205-102 (V92003))	G,N, R-T,W ,AR-A W,BQ, BS,BW CC,CW G-CJ, CR-CT ,EG,E J,EL EN,EQ ,ES,E U,EV, EY,EZ	1
-190A	5830205-102		.VALVE-SHUT OFF (V92003) (SPEC S315T106-3) (OPT 5830205-101 (V92003))	G,N, R-T,W ,AR-A W,BQ, BS,BW CC,CW G-CJ, CR-CT ,EG,E J,EL EN,EQ ,ES,E U,EV, EY,EZ	1

78-31-41

ILLUSTRATED PARTS LIST
01.1 Page 1042K
Nov 01/03

FIG. & ITEM	PART NO.	AIRLINE PART NUMBER	NOMENCLATURE 1234567	EFF CODE	QTY PER ASSY
07-195	HL11VAZ6-19		.BOLT- (V60516) (SPEC BACB30NW6K19) (OPT B30NW6K19 (V97928)) (OPT HL11VAZ6-19 (V73197)) (OPT HL11VAZ6-19 (V92215)) (OPT HL11VAZ6-19 (V97928)) (OPT L803-6K19 (V06725)) (OPT HL11VAZ6-19 (V0PTK6)) (OPT HL11VAZ6-19 (V56878))	G,N, R-T,W ,AR-A W,BQ, BS,BW CC,CW G-CJ, CR-CT ,EG,E J,EL EN,EQ ,ES,E U,EV, EY,EZ	7
200	HL79-6		.COLLAR- (V5M902) (SPEC BACC30M6) (OPT HL79-6 (V73197)) (OPT HL79-6 (V92215)) (OPT 66014-6 (V56878)) (OPT HL79-6 (V56878))	G,N, R-T,W ,AR-A W,BQ, BS,BW CC,CW G-CJ, CR-CT ,EG,E J,EL EN,EQ ,ES,E U,EV, EY,EZ	7
205	315T3122-3		.SHIM- (MFD FROM AL SH PER BAC1534-15 .015 IN. .80 .80 IN. .80 IN.)	G,N, R-T,W ,AR-A W,BQ, BS,BW CC,CW G-CJ, CR-CT ,EG,E J,EL EN,EQ ,ES,E U,EV, EY,EZ	1

78-31-41

 ILLUSTRATED PARTS LIST
 01.1 Page 1042L
 Nov 01/03

BOEING
COMPONENT
MAINTENANCE MANUAL

FIG. & ITEM	PART NO.	AIRLINE PART NUMBER	NOMENCLATURE 1234567	EFF CODE	QTY PER ASSY
07-210	315T3127-12		.INLET ASSY	G,N, R-T,W ,AR-A W,BQ, BS,BW CC,CW G-CJ, CR-CT ,EG,E J,EL EN,EQ ,ES,E U,EV, EY,EZ	1
215	HL11VAZ6-21		.BOLT- (V60516) (SPEC BACB30NW6K21) (OPT B30NW6K21 (V97928)) (OPT HL11VAZ6-21 (V73197)) (OPT HL11VAZ6-21 (V92215)) (OPT HL11VAZ6-21 (V97928)) (OPT L803-6K21 (V06725)) (OPT HL11VAZ6-21 (V0PTK6)) (OPT HL11VAZ6-21 (V56878))	G,N, R-T,W ,AR-A W,BQ, BS,BW CC,CW G-CJ, CR-CT ,EG,E J,EL EN,EQ ,ES,E U,EV, EY,EZ	2
220	HL79-6		.COLLAR- (V5M902) (SPEC BACC30M6) (OPT HL79-6 (V73197)) (OPT HL79-6 (V92215)) (OPT 66014-6 (V56878)) (OPT HL79-6 (V56878))	G,N, R-T,W ,AR-A W,BQ, BS,BW CC,CW G-CJ, CR-CT ,EG,E J,EL EN,EQ ,ES,E U,EV, EY,EZ	2

78-31-41

FIG. & ITEM	PART NO.	AIRLINE PART NUMBER	NOMENCLATURE	EFF CODE	QTY PER ASSY
07-225	315T3128-20		.FILLER	G,N, R-T,W ,AR-A W,BQ, BS,BW CC,CW G-CJ, CR-CT ,EG,E J,EL EN,EQ ,ES,E U,EV, EY,EZ	1
230	BACS40R10C17F		.SHIM	G,N, R-T,W ,AR-A W,BQ, BS,BW CC,CW G-CJ, CR-CT ,EG,E J,EL EN,EQ ,ES,E U,EV, EY,EZ	1
235	315T3120-22		.BRACKET	G,N, R-T,W ,AR-A W,BQ, BS,BW CC,CW G-CJ, CR-CT ,EG,E J,EL EN,EQ ,ES,E U,EV, EY,EZ	1

78-31-41

 ILLUSTRATED PARTS LIST
 01.1 Page 1042N
 Nov 01/03

BOEING
COMPONENT
MAINTENANCE MANUAL

FIG. & ITEM	PART NO.	AIRLINE PART NUMBER	NOMENCLATURE 1234567	EFF CODE	QTY PER ASSY
07-240	HL10VAZ5-4		.BOLT- (V60516) (SPEC BACB30MY5K4) (OPT B30MY5K4 (V97928))	G,N, R-T,W ,AR-A W,BQ, BS,BW CC,CW G-CJ, CR-CT ,EG,E J,EL EN,EQ ,ES,E U,EV, EY,EZ	2
245	HL79-5		.COLLAR- (V5M902) (SPEC BACC30M5) (OPT HL70-5 (V73197)) (OPT HL70-5 (V92215)) (OPT 66014-5 (V56878)) (OPT HL70-5 (V56878))	G,N, R-T,W ,AR-A W,BQ, BS,BW CC,CW G-CJ, CR-CT ,EG,E J,EL EN,EQ ,ES,E U,EV, EY,EZ	2
250	315T3128-19		.FILLER	G,N, R-T,W ,AR-A W,BQ, BS,BW CC,CW G-CJ, CR-CT ,EG,E J,EL EN,EQ ,ES,E U,EV, EY,EZ	1

78-31-41

ILLUSTRATED PARTS LIST
01.1 Page 10420
Nov 01/03

FIG. & ITEM	PART NO.	AIRLINE PART NUMBER	NOMENCLATURE 1234567	EFF CODE	QTY PER ASSY
07-255	315T3130-4		.BRACKET	G,N, R-T,W ,AR-A W,BQ, BS,BW CC,CW G-CJ, CR-CT ,EG,E J,EL EN,EQ ,ES,E U,EV, EY,EZ	1
260	315T3120-25		.TUBE ASSY	G,N, R-T,W ,AR-A W,BQ, BS,BW CC,CW G-CJ, CR-CT ,EG,E J,EL EN,EQ ,ES,E U,EV, EY,EZ	1
265	HL11VAZ6-19		.BOLT- (V60516) (SPEC BACB30NW6K19) (OPT B30NW6K19 (V97928)) (OPT HL11VAZ6-19 (V73197)) (OPT HL11VAZ6-19 (V92215)) (OPT HL11VAZ6-19 (V97928)) (OPT L803-6K19 (V06725)) (OPT HL11VAZ6-19 (V0PTK6)) (OPT HL11VAZ6-19 (V56878))	G,N, R-T,W ,AR-A W,BQ, BS,BW CC,CW G-CJ, CR-CT ,EG,E J,EL EN,EQ ,ES,E U,EV, EY,EZ	3

78-31-41

 ILLUSTRATED PARTS LIST
 01.1 Page 1042P
 Nov 01/03

BOEING
COMPONENT
MAINTENANCE MANUAL

FIG. & ITEM	PART NO.	AIRLINE PART NUMBER	NOMENCLATURE	EFF CODE	QTY PER ASSY
07-270	BACW10BN6SP		.WASHER	G,N, R-T,W ,AR-A W,BQ, BS,BW CC,CW G-CJ, CR-CT ,EG,E J,EL EN,EQ ,ES,E U,EV, EY,EZ	3
275	HL79-6		.COLLAR- (V5M902) (SPEC BACC30M6) (OPT HL79-6 (V73197)) (OPT HL79-6 (V92215)) (OPT 66014-6 (V56878)) (OPT HL79-6 (V56878))	G,N, R-T,W ,AR-A W,BQ, BS,BW CC,CW G-CJ, CR-CT ,EG,E J,EL EN,EQ ,ES,E U,EV, EY,EZ	3
280	315T3130-2		.BRACKET ASSY	G,N, R-T,W ,AR-A W,BQ, BS,BW CC,CW G-CJ, CR-CT ,EG,E J,EL EN,EQ ,ES,E U,EV, EY,EZ	1

78-31-41

ILLUSTRATED PARTS LIST
01.1 Page 1042Q
Nov 01/03

FIG. & ITEM	PART NO.	AIRLINE PART NUMBER	NOMENCLATURE 1234567	EFF CODE	QTY PER ASSY
07-285	BACR15CE3M		..RIVET- (SIZE DETERMINE ON INST)	G,N, R-T,W ,AR-A W,BQ, BS,BW CC,CW G-CJ, CR-CT ,EG,E J,EL EN,EQ ,ES,E U,EV, EY,EZ	4
290	BRM100C3M		..NUTPLATE- (V52828) (SPEC BACN10JP3BCM) (OPT MK2001-3BAC (V15653)) (OPT NS103198SE02 (V80539)) (OPT T8081C1032 (V11815)) (OPT VN201D1-02 (V92215)) (OPT 109A9207M3 (V72962))	G,N, R-T,W ,AR-A W,BQ, BS,BW CC,CW G-CJ, CR-CT ,EG,E J,EL EN,EQ ,ES,E U,EV, EY,EZ	2
295	315T3130-7		..BRACKET	G,N, R-T,W ,AR-A W,BQ, BS,BW CC,CW G-CJ, CR-CT ,EG,E J,EL EN,EQ ,ES,E U,EV, EY,EZ	1

78-31-41

ILLUSTRATED PARTS LIST
01.1 Page 1042R
Nov 01/03

 **BOEING**
COMPONENT
MAINTENANCE MANUAL

FIG. & ITEM	PART NO.	AIRLINE PART NUMBER	NOMENCLATURE 1234567	EFF CODE	QTY PER ASSY
07-300	MS21141-0603P		.FASTENER	G,N, R-T,W ,AR-A W,BQ, BS,BW CC,CW G-CJ, CR-CT ,EG,E J,EL EN,EQ ,ES,E U,EV, EY,EZ	3
305	HL1012AZ5-3		.BOLT- (V97928) (SPEC BACB30NX5K3) (OPT HL12VAZ5-3 (V73197)) (OPT HL12VAZ5-3 (V92215)) (OPT HL12VAZ5-3 (V97928)) (OPT L802-5K3 (V06725)) (OPT HL12VAZ5-3 (V56878)) (OPT HL1012AZ5-3 (V0PTK6)) (OPT HL1012AZ5-3 (V06725)) (OPT HL1012AZ5-3 (V06950)) (OPT HL1012AZ5-3 (V17446)) (OPT HL1012AZ5-3 (V56878)) (OPT HL1012AZ5-3 (V60516)) (OPT HL1012AZ5-3 (V73197))	G,N, R-T,W ,AR-A W,BQ, BS,BW CC,CW G-CJ, CR-CT ,EG,E J,EL EN,EQ ,ES,E U,EV, EY,EZ	4

78-31-41

ILLUSTRATED PARTS LIST
01.1 Page 1042S
Nov 01/03

FIG. & ITEM	PART NO.	AIRLINE PART NUMBER	NOMENCLATURE 1234567	EFF CODE	QTY PER ASSY
07-310	HL1187DU5		.COLLAR- (V5M902) (SPEC BACC30X5S) (OPT HL87DU5 (V73197)) (OPT HL87DU5 (V92215)) (OPT HL86DU5 (V73197)) (OPT HL86DU5 (V56878)) (OPT HL86DU5 (V92215)) (OPT HL1187DU5 (V56878)) (OPT HL1187DU5 (V92215)) (OPT HL87DU5 (V56878)) (OPT HL1187DU5 (V73197))	G,N, R-T,W ,AR-A W,BQ, BS,BW CC,CW G-CJ, CR-CT ,EG,E J,EL EN,EQ ,ES,E U,EV, EY,EZ	4
315	BACS40R009C015F		.SHIM	G,N, R-T,W ,AR-A W,BQ, BS,BW CC,CW G-CJ, CR-CT ,EG,E J,EL EN,EQ ,ES,E U,EV, EY,EZ	2

78-31-41

 ILLUSTRATED PARTS LIST
 01.1 Page 1042T
 Nov 01/03

 **BOEING**
COMPONENT
MAINTENANCE MANUAL

FIG. & ITEM	PART NO.	AIRLINE PART NUMBER	NOMENCLATURE 1234567	EFF CODE	QTY PER ASSY
07-320	315T3130-21		.CLIP	G,N, R-T,W ,AR-A W,BQ, BS,BW CC,CW G-CJ, CR-CT ,EG,E J,EL EN,EQ ,ES,E U,EV, EY,EZ	2
325	315T3130-22		.BRACKET	G,N, R-T,A R-AW, BQ,BS ,BW CC,C G-CJ, CR-CT ,EG,E J,EL EN,EQ ,ES,E U,EV, EY,EZ	1
-330	HL11VAZ6-18		.BOLT- (V60516) (SPEC BACB30NW6K18) (OPT B30NW6K18 (V97928)) (OPT HL11VAZ6-18 (V73197)) (OPT HL11VAZ6-18 (V92215)) (OPT HL11VAZ6-18 (V97928)) (OPT L803-6K18 (V06725)) (OPT HL11VAZ6-18 (V0PTK6)) (OPT HL11VAZ6-18 (V56878))	G,N, R-T,W ,AR-A W,BQ, BS,BW CC,CW G-CJ, CR-CT ,EG,E J,EL EN,EQ ,ES,E U,EV, EY,EZ	7

78-31-41

ILLUSTRATED PARTS LIST
01.1 Page 1042U
Nov 01/03

FIG. & ITEM	PART NO.	AIRLINE PART NUMBER	NOMENCLATURE 1234567	EFF CODE	QTY PER ASSY
07- -335	HL11VAZ6-18		.BOLT- (V60516) (SPEC BACB30NW6K18) (OPT B30NW6K18 (V97928)) (OPT HL11VAZ6-18 (V73197)) (OPT HL11VAZ6-18 (V92215)) (OPT HL11VAZ6-18 (V97928)) (OPT L803-6K18 (V06725)) (OPT HL11VAZ6-18 (V0PTK6)) (OPT HL11VAZ6-18 (V56878))	G,N, R-T,W ,AR-A W,BQ, BS,BW CC,CW G-CJ, CR-CT ,EG,E J,EL EN,EQ ,ES,E U,EV, EY,EZ	7
340	HL79-6		.COLLAR- (V5M902) (SPEC BACC30M6) (OPT HL79-6 (V73197)) (OPT HL79-6 (V92215)) (OPT 66014-6 (V56878)) (OPT HL79-6 (V56878))	G,N, R-T,W ,AR-A W,BQ, BS,BW CC,CW G-CJ, CR-CT ,EG,E J,EL EN,EQ ,ES,E U,EV, EY,EZ	2

78-31-41

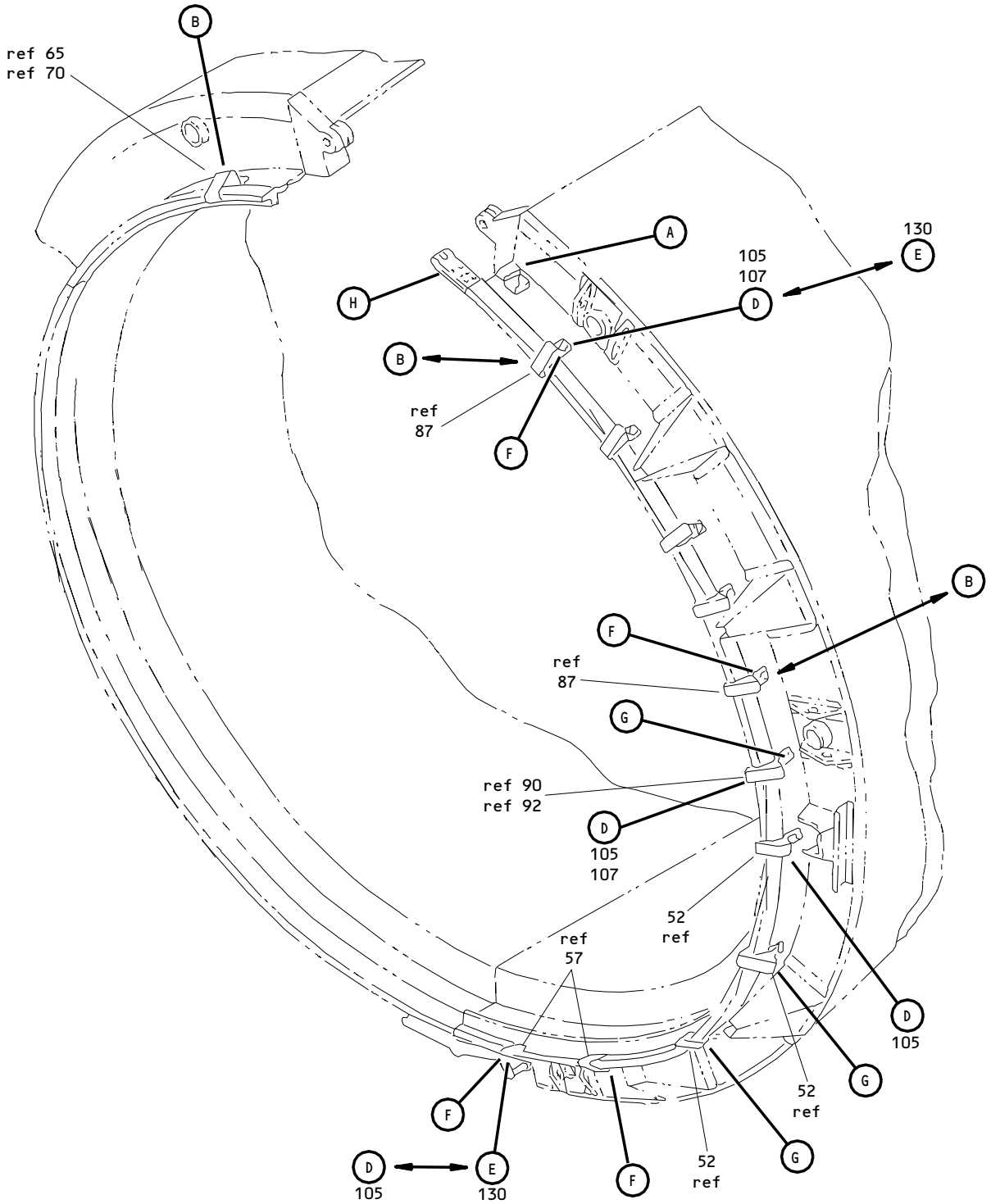
 ILLUSTRATED PARTS LIST
 01.1 Page 1042V
 Nov 01/03

FIG. & ITEM	PART NO.	AIRLINE PART NUMBER	NOMENCLATURE 1234567	EFF CODE	QTY PER ASSY
07-345	315T3128-24		.BRACKET	G,N, R-T,W ,AR-A W,BQ, BS,BW CC,CW G-CJ, CR-CT ,EG,E J,EL EN,EQ ,ES,E U,EV, EY,EZ	1
-350	BAC27TPP0493		.DECAL	G,N, R-T,W ,AR-A W,BQ, BS,BW CC,CW G-CJ, CR-CT ,EG,E J,EL EN,EQ ,ES,E U,EV, EY,EZ	1
-355	BAC27TPP0494		.DECAL	G,N, R-T,W ,AR-A W,BQ, BS,BW CC,CW G-CJ, CR-CT ,EG,E J,EL EN,EQ ,ES,E U,EV, EY,EZ	1

- Item Not Illustrated

78-31-41

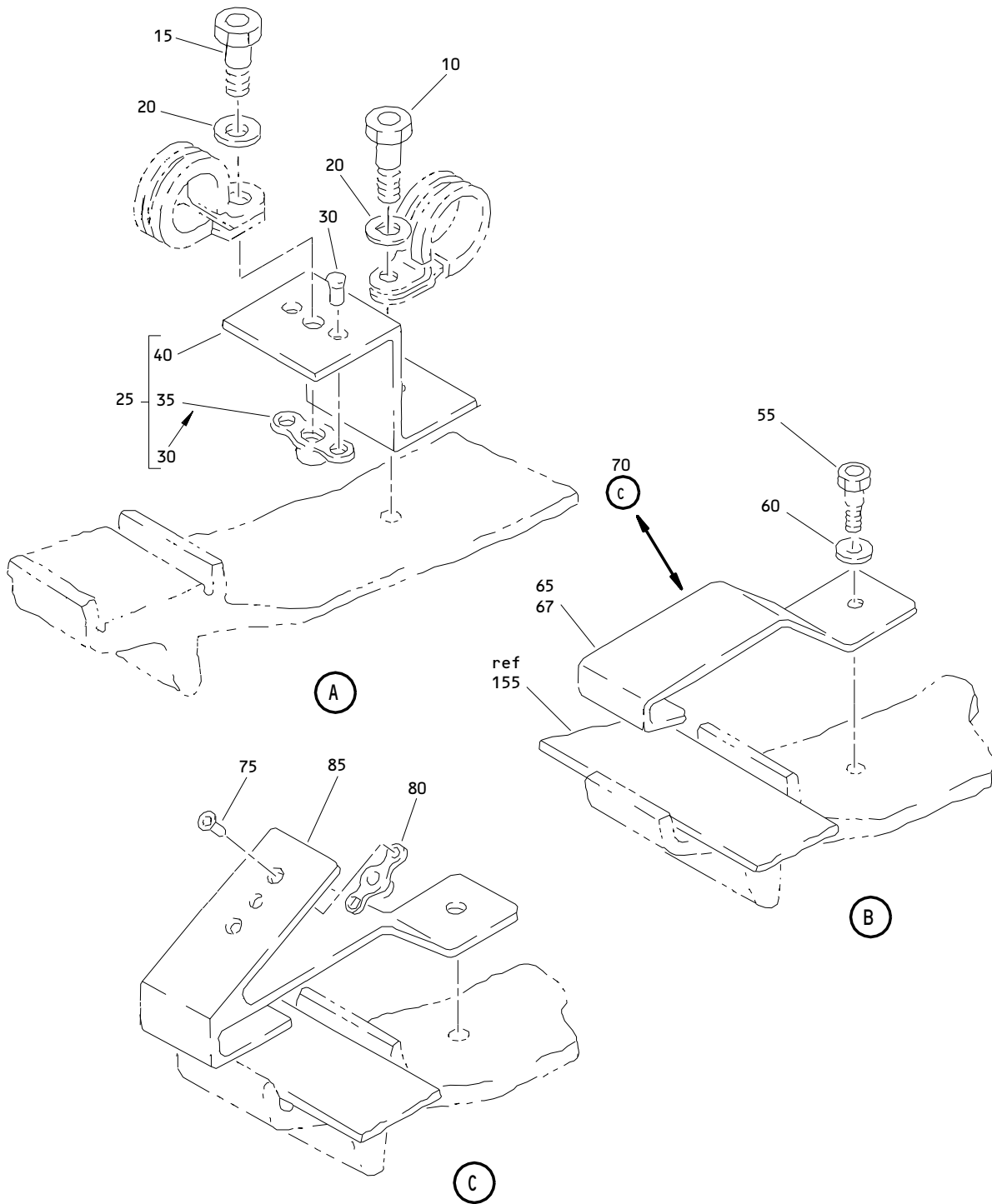
ILLUSTRATED PARTS LIST
01.1 Page 1042W
Nov 01/03



Vee Groove Latch Installation
Figure 8 (Sheet 1)

78-31-41

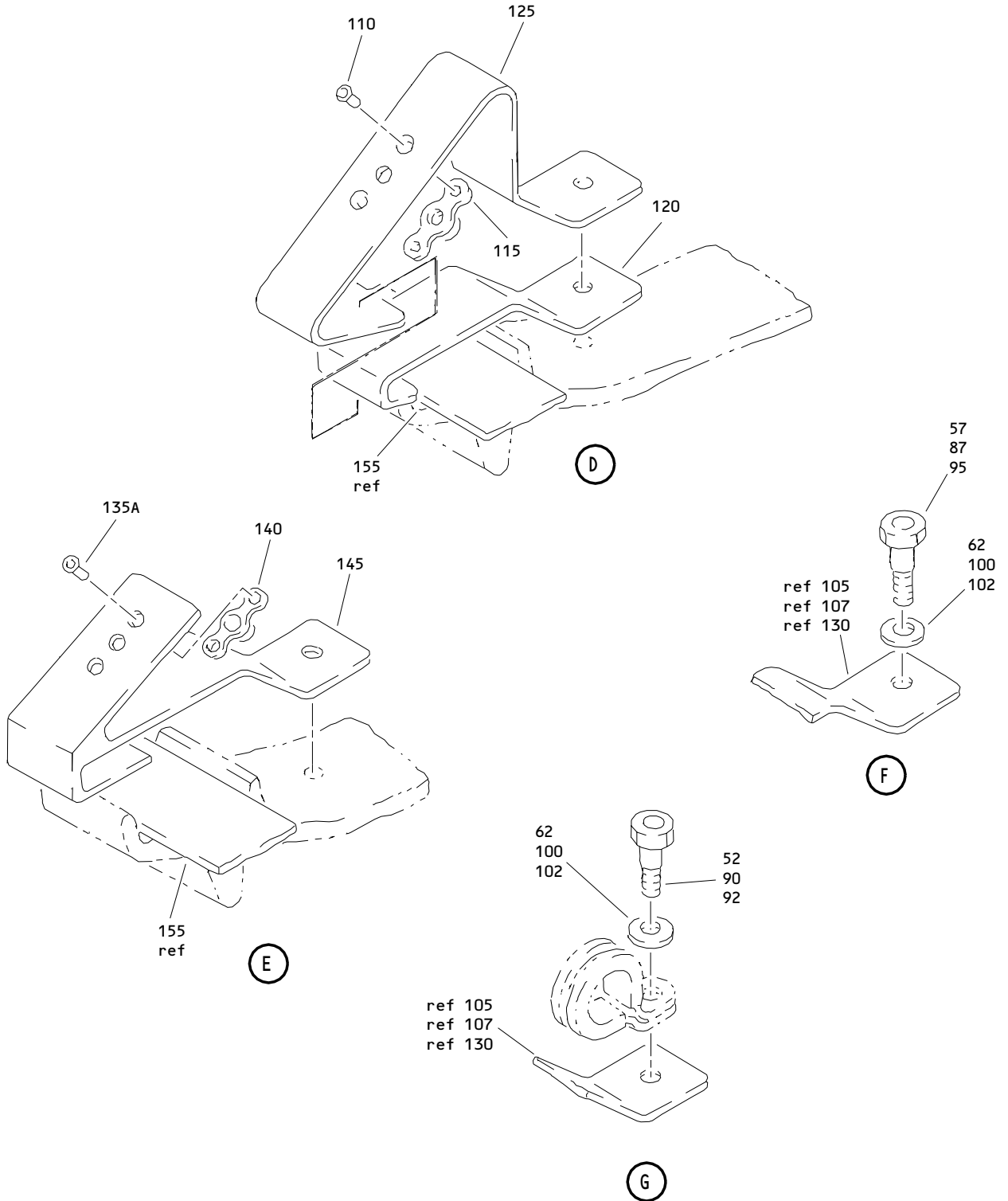
ILLUSTRATED PARTS LIST
01.1 Page 1042Y
Nov 01/03



Vee Groove Latch Installation
 Figure 8 (Sheet 2)

78-31-41

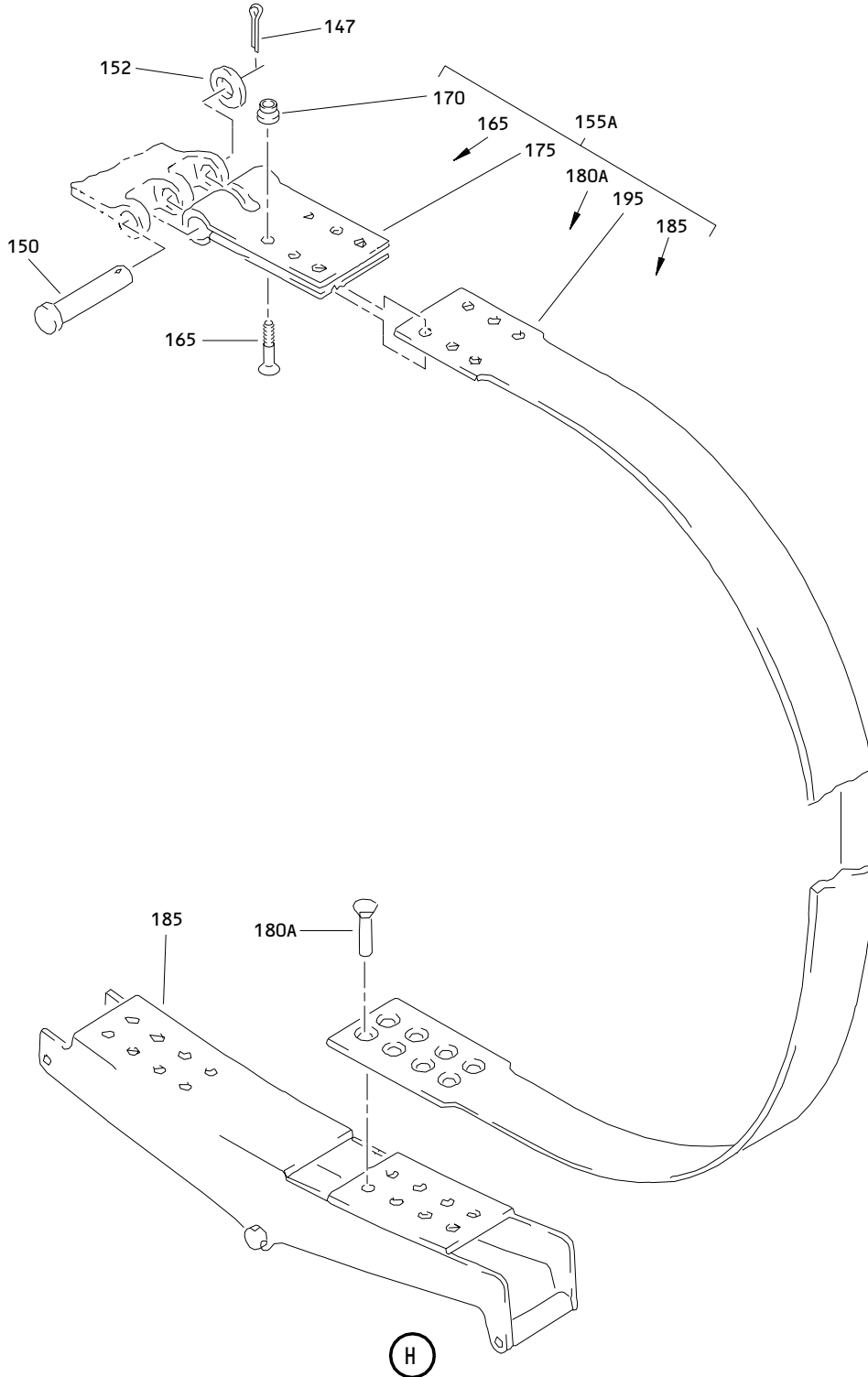
ILLUSTRATED PARTS LIST
 01.1 Page 1042Z
 Nov 01/03



Vee Groove Latch Installation
Figure 8 (Sheet 3)

78-31-41

ILLUSTRATED PARTS LIST
01.1 Page 1043
Nov 01/03



Vee Groove Latch Installation
 Figure 8 (Sheet 4)

78-31-41

ILLUSTRATED PARTS LIST
 01.1 Page 1044
 Nov 01/03

 **BOEING**
COMPONENT
MAINTENANCE MANUAL

FIG. & ITEM	PART NO.	AIRLINE PART NUMBER	NOMENCLATURE 1234567	EFF CODE	QTY PER ASSY
08- -1A	315T3208-5		LATCH INSTL-VEE GROOVE BAND RTNR, WIRE AND TUBE SPRT	FC,FE ,FG,F J,F M-FQ, FW-FZ GE,GF ,GJ,G K	RF
-1B	315T3208-7		LATCH INSTL-VEE GROOVE BAND RTNR, WIRE AND TUBE SPRT	DQ,DS	RF
-5	315T3208-6		LATCH INSTL-VEE GROOVE BAND RTNR, WIRE AND TUBE SPRT	FD,FF ,FH,F K,F S-FV, GA-GD GG,GH ,GL,G M	RF
-5A	315T3208-8		LATCH INSTL-VEE GROOVE BAND RTNR, WIRE AND TUBE SPRT	DR,DT	RF
10	BACB30NM3K5		.BOLT	DQ,DS ,FC, FE,FG ,FJ,F M-FQ FW-FZ ,GE, GF,GJ ,GK	1
15	BACB30NM3K3		.BOLT	DQ,DS ,FC, FE,FG ,FJ,F M-FQ FW-FZ ,GE, GF,GJ ,GK	1

78-31-41

ILLUSTRATED PARTS LIST
01.1 Page 1044A
Nov 01/03

FIG. & ITEM	PART NO.	AIRLINE PART NUMBER	NOMENCLATURE 1234567	EFF CODE	QTY PER ASSY
08-20	AN960C10L		.WASHER	DQ,DS ,FC, FE,FG ,FJ,F M-FQ FW-FZ ,GE, GF,GJ ,GK	2
25	315T4726-13		.BRACKET ASSY	DQ,DS ,FC, FE,FG ,FJ,F M-FQ FW-FZ ,GE, GF,GJ ,GK	1
30	BACR15BA3AD3R5		..RIVET	DQ,DS ,FC, FE,FG ,FJ,F M-FQ FW-FZ ,GE, GF,GJ ,GK	2
35	BR2000C3M		..NUTPLATE- (V52828) (SPEC BACN10JR3CM) (OPT K1001-3BAC (V15653)) (OPT NS103202SE02 (V80539)) (OPT T8089C1032 (V11815)) (OPT VN102D1-02 (V92215)) (OPT 109A9201-3 (V72962))	DQ,DS ,FC, FE,FG ,FJ,F M-FQ FW-FZ ,GE, GF,GJ ,GK	1

78-31-41

 ILLUSTRATED PARTS LIST
 01.1 Page 1044B
 Nov 01/03

 **BOEING**
COMPONENT
MAINTENANCE MANUAL

FIG. & ITEM	PART NO.	AIRLINE PART NUMBER	NOMENCLATURE 1234567	EFF CODE	QTY PER ASSY
08-40	315T4726-14		. .BRACKET	DQ,DS ,FC, FE,FG ,FJ,F M-FQ FW-FZ ,GE, GF,GJ ,GK	1
-45	315T3208-5005		.LATCH INSTL- (LIMITED)	FC,FE ,FG,F J,F M-FQ, FW-FZ GE,GF ,GJ,G K	1
-45A	315T3208-5009		.LATCH INSTL- (LIMITED)	FC,FE ,FG,F J,F M-FQ, FW-FZ GE,GF ,GJ,G K	1
-45B	315T3208-5013		.LATCH INSTL- (LIMITED)	FC,FE ,FG,F J,F M-FQ, FW-FZ GE,GF ,GJ,G K	1

78-31-41

ILLUSTRATED PARTS LIST
01.1 Page 1044C
Nov 01/03

FIG. & ITEM	PART NO.	AIRLINE PART NUMBER	NOMENCLATURE 1234567	EFF CODE	QTY PER ASSY
08- -45C	315T3208-5007		.LATCH INSTL- (LIMITED)	DQ,DS	1
-50	315T3208-5006		.LATCH INSTL- (LIMITED)	FD,FF ,FH,F K,F S-FV, GA-GD GG,GH ,GL,G M	1
-50A	315T3208-5010		.LATCH INSTL- (LIMITED)	FD,FF ,FH,F K,F S-FV, GA-GD GG,GH ,GL,G M	1
-50B	315T3208-5012		.LATCH INSTL- (LIMITED)	FD,FF ,FH,F K,F S-FV, GA-GD GG,GH ,GL,G M	1
-50C	315T3208-5014		.LATCH INSTL- (LIMITED)	FD,FF ,FH,F K,F S-FV, GA-GD GG,GH ,GL,G M	1

78-31-41

 ILLUSTRATED PARTS LIST
 01.1 Page 1044D
 Nov 01/03

 **BOEING**
COMPONENT
MAINTENANCE MANUAL

FIG. & ITEM	PART NO.	AIRLINE PART NUMBER	NOMENCLATURE 1234567	EFF CODE	QTY PER ASSY
08- -50D	315T3208-5008		.LATCH INSTL- (LIMITED)	DR,DT	1
52	BACB30NM3K5		..BOLT	DQ-DT	3
55	BACB30NM3K3		..BOLT- (USED WITH ITEM 65)	DR,DT ,FD,F F,FH, FK,F S-FV GA-GD ,GG,G H,GL, GM	1
-55A	BACB30NM3K5		..BOLT- (USED WITH ITEM 70)	FD,FF ,FH,F K,F S-FV, GA-GD GG,GH ,GL,G M	1
57	BACB30NM3K3		..BOLT	DQ-DT	2
60	AN960C10L		..WASHER	DR,DT ,FD,F F,FH, FK,F S-FV GA-GD ,GG,G H,GL, GM	1
62	AN960C10L		..WASHER	DQ-DT	5
65	315T3251-1		..RETAINER-BAND (USED ON ITEMS 50, 50B, 50C, 50D)	DR,DT ,FD,F F,FH, FK,F S-FV GA-GD ,GG,G H,GL, GM	1

78-31-41

ILLUSTRATED PARTS LIST
01.1 Page 1044E
Nov 01/03

FIG. & ITEM	PART NO.	AIRLINE PART NUMBER	NOMENCLATURE 1234567	EFF CODE	QTY PER ASSY
08-6770	315T3251-1 315T3251-6		..RETAINER-BAND ..RETAINER ASSY-BAND (USED ON ITEM 50A)	DQ-DT FD,FF ,FH,F K,F S-FV, GA-GD GG,GH ,GL,G M	5 1
75	AF5141-3C3		...RIVET- (V53551) (SPEC BACR15DR3AC3) (OPT CCR264CS3-3IT (V11815)) (OPT RV541A3C3 (V98996)) (SIZE DETERMINE ON INST)	FD,FF ,FH,F K,F S-FV, GA-GD GG,GH ,GL,G M	2
80	BR2000C3D		...NUTPLATE- (V52828) (SPEC BACN10JR3CD) (OPT K51601-3BAC (V15653)) (OPT NS202439-02 (V80539)) (OPT 102A9201-3 (V72962))	FD,FF ,FH,F K,F S-FV, GA-GD GG,GH ,GL,G M	1
85	315T3251-5		...RETAINER	FD,FF ,FH,F K,F S-FV, GA-GD GG,GH ,GL,G M	1

78-31-41

 ILLUSTRATED PARTS LIST
 01.1 Page 1044F
 Nov 01/03

 **BOEING**
COMPONENT
MAINTENANCE MANUAL

FIG. & ITEM	PART NO.	AIRLINE PART NUMBER	NOMENCLATURE 1234567	EFF CODE	QTY PER ASSY
08-87	BACB30NM3K5		..BOLT	DQ-DT	5
90	BACB30NM3K6		..BOLT	FC-FK	4
				,FM-F	
				Q,F	
				S-GM	
92	BACB30NM3K6		..BOLT	DQ-DT	1
95	BACB30NM3K5		..BOLT	FC-FK	7
				,FM-F	
				Q,F	
				S-GM	
100	AN960C10L		..WASHER	FC-FK	11
				,FM-F	
				Q,F	
				S-GM	
102	AN960C10L		..WASHER	DQ-DT	6
105	315T3251-2		..BRACKET ASSY- (USED ON ITEMS 45, 50)	FC-FK	11
				,FM-F	
				Q,F	
				S-GM	
107	315T3251-2		..BRACKET ASSY	DQ-DT	6
110	AF5141-3C3		...RIVET- (V53551) (SPEC BACR15DR3AC3) (OPT CCR264CS3-3IT (V11815)) (OPT RV541A3C3 (V98996))	FC-FK	2
				,FM-F	
				Q,F	
				S-GM	
-110A	AF5141-3C3		...RIVET- (V53551) (SPEC BACR15DR3AC3) (OPT CCR264CS3-3IT (V11815)) (OPT RV541A3C3 (V98996))	DQ-DT	2

78-31-41

ILLUSTRATED PARTS LIST
01.1 Page 1044G
Nov 01/03

FIG. & ITEM	PART NO.	AIRLINE PART NUMBER	NOMENCLATURE 1234567	EFF CODE	QTY PER ASSY
08-115	BR2000C3M		...NUTPLATE- (V52828) (SPEC BACN10JR3CM) (OPT K1001-3BAC (V15653)) (OPT NS103202SE02 (V80539)) (OPT T8089C1032 (V11815)) (OPT VN102D1-02 (V92215)) (OPT 109A9201-3 (V72962))	FC-FK ,FM-F Q,F S-GM	1
-115A	BR2000C3M		...NUTPLATE- (V52828) (SPEC BACN10JR3CM) (OPT K1001-3BAC (V15653)) (OPT NS103202SE02 (V80539)) (OPT VN102D1-02 (V92215)) (OPT 109A9201-3 (V72962)) (OPT T8089C1032 (V11815))	DQ-DT	1
120	315T3251-4		...RETAINER	FC-FK ,FM-F Q,F S-GM	1
-120A	315T3251-4		...RETAINER	DQ-DT	1
125	315T3251-3		...BRACKET	FC-FK ,FM-F Q,F S-GM	1

78-31-41

 ILLUSTRATED PARTS LIST
 01.1 Page 1044H
 Nov 01/03

 **BOEING**
COMPONENT
MAINTENANCE MANUAL

FIG. & ITEM	PART NO.	AIRLINE PART NUMBER	NOMENCLATURE 1234567	EFF CODE	QTY PER ASSY
08-					
-125A	315T3251-3		...BRACKET	DQ-DT	1
130	315T3251-6		..RETAINER ASSY-BAND (USED ON ITEMS 45A, 50A, 50B)	FC-FK ,FM-F Q,F S-GM	11
-130A	315T3251-8		..RETAINER ASSY-BAND (USED ON ITEMS 45B, 50C)	FC-FK ,FM-F Q,F S-GM	11
135	AF5141-3C3		DELETED		
135A	AF5141-3C		...RIVET- (V53551) (SPEC BACR15DR3AC) (SIZE DETERMINE ON INST)	FC-FK ,FM-F Q,F S-GM	2
140	BR2000C3D		...NUTPLATE- (V52828) (SPEC BACN10JR3CD) (OPT K51601-3BAC (V15653)) (OPT NS202439-02 (V80539)) (OPT 102A9201-3 (V72962))	FC-FK ,FM-F Q,F S-GM	1
145	315T3251-5		...RETAINER- (USED ON ITEM 130)	FC-FK ,FM-F Q,F S-GM	1
-145A	315T3251-7		...RETAINER- (USED ON ITEM 130A)	FC-FK ,FM-F Q,F S-GM	1
147	MS24665-300		.PIN-COTTER	DQ-DT ,FC-F K,F M-FQ, FS-GM	1
150	BACP18T5-52		.PIN-FLATHEAD	DQ-DT ,FC-F K,F M-FQ, FS-GM	1

78-31-41

ILLUSTRATED PARTS LIST
01.1 Page 1044I
Nov 01/03

FIG. & ITEM	PART NO.	AIRLINE PART NUMBER	NOMENCLATURE 1234567	EFF CODE	QTY PER ASSY
08-152	AN960C516		.WASHER	DQ-DT ,FC-F K,F M-FQ, FS-GM	1
155 155A	315T3150-5 315T3250-5		DELETED .BAND ASSY-LATCH	DQ,DS ,FC, FE,FG ,FJ,F M-FQ FW-FZ ,GE, GF,GJ ,GK	1
-160 -160A	315T3150-6 315T3250-6		DELETED .BAND ASSY-LATCH	DR,DT ,FD,F F,FH, FK,F S-FV GA-GD ,GG,G H,GL, GM	1

78-31-41

 ILLUSTRATED PARTS LIST
 01.1 Page 1044J
 Nov 01/03

 **BOEING**
COMPONENT
MAINTENANCE MANUAL

FIG. & ITEM	PART NO.	AIRLINE PART NUMBER	NOMENCLATURE 1234567	EFF CODE	QTY PER ASSY
08-165	HL441UC5-4		..BOLT- (V97928) (SPEC BACB30FN5A4) (OPT HL441UC5-4 (V73197)) (OPT HL441UC5-4 (V92215)) (OPT HL41PY5-4 (V80539)) (OPT HL441N5-4 (V80539)) (OPT HL441UC5-4 (V80539)) (OPT 67068-5A4 (V56878)) (OPT HL441UC5-4 (V08524)) (OPT HL19-5A4 (V06725)) (OPT L839-5A4 (V06725)) (OPT HL441UC5-4 (V56878))	DQ-DT FC-F K,F M-FQ, FS-GM	6
170	HL79-5		..COLLAR- (V5M902) (SPEC BACC30M5) (OPT HL70-5 (V73197)) (OPT HL70-5 (V92215)) (OPT 66014-5 (V56878)) (OPT HL70-5 (V56878))	DQ-DT FC-F K,F M-FQ, FS-GM	6

78-31-41

ILLUSTRATED PARTS LIST
01.1 Page 1044K
Nov 01/03

FIG. & ITEM	PART NO.	AIRLINE PART NUMBER	NOMENCLATURE 1234567	EFF CODE	QTY PER ASSY
08-175	315T3252-2		..FITTING	DQ-DT ,FC-F K,F M-FQ, FS-GM	1
180 180A	NAS1200-6-8 NAS1200-6		DELETED ..RIVET- (SIZE DETERMINE ON INST)	DQ-DT ,FC-F K,F M-FQ, FS-GM	8
185	H2626-35		..RECEIVER- (V83014) (SPEC S315T101-2)	DQ,DS ,FC, FE,FG ,FJ,F M-FQ FW-FZ ,GE, GF,GJ ,GK	1
-190	H2865-17		..RECEIVER- (V83014) (SPEC S315T101-4) (OPT H2865-19 (V83014))	DR,DT ,FD,F F,FH, FK,F S-FV GA-GD ,GG,G H,GL, GM	1
-190A	H2865-19		..RECEIVER- (V83014) (SPEC S315T101-4) (OPT H2865-17 (V83014))	DR,DT ,FD,F F,FH, FK,F S-FV GA-GD ,GG,G H,GL, GM	1

78-31-41

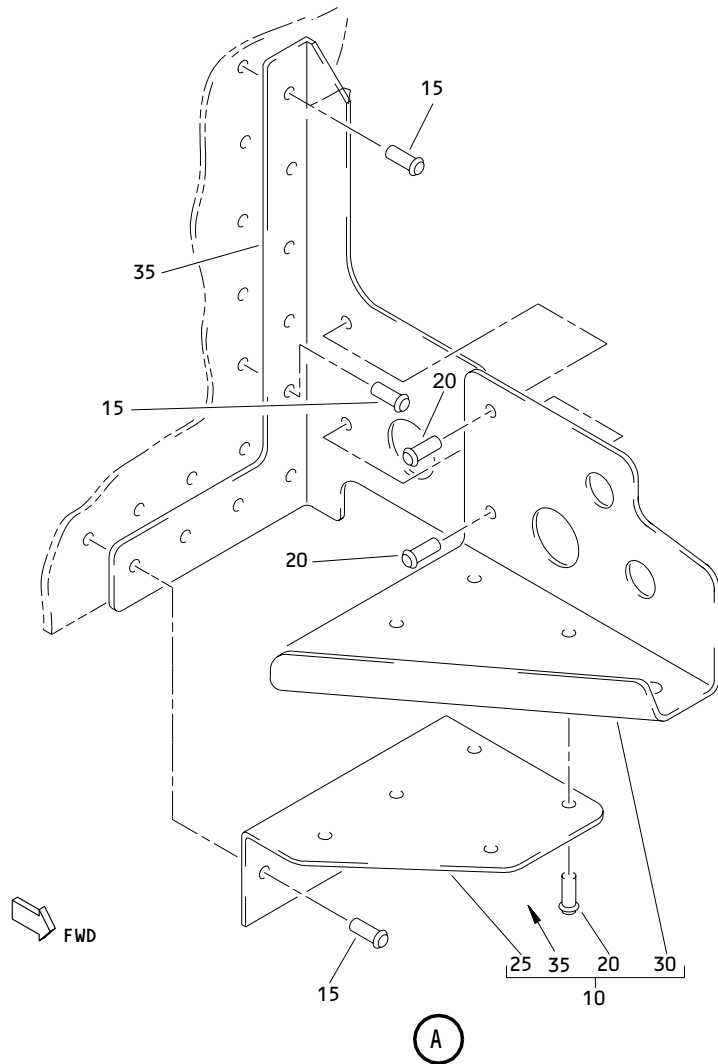
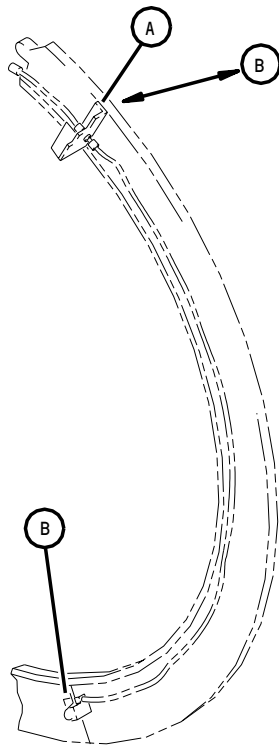
 ILLUSTRATED PARTS LIST
 01.1 Page 1044L
 Nov 01/03

FIG. & ITEM	PART NO.	AIRLINE PART NUMBER	NOMENCLATURE 1234567	EFF CODE	QTY PER ASSY
08-195	315T3520-3		..BAND	DQ,DS ,FC, FE,FG ,FJ,F M-FQ FW-FZ ,GE, GF,GJ ,GK	1
-200	315T3520-4		..BAND	DR,DT ,FD,F F,FH, FK,F S-FV GA-GD ,GG,G H,GL, GM	1

- Item Not Illustrated

78-31-41

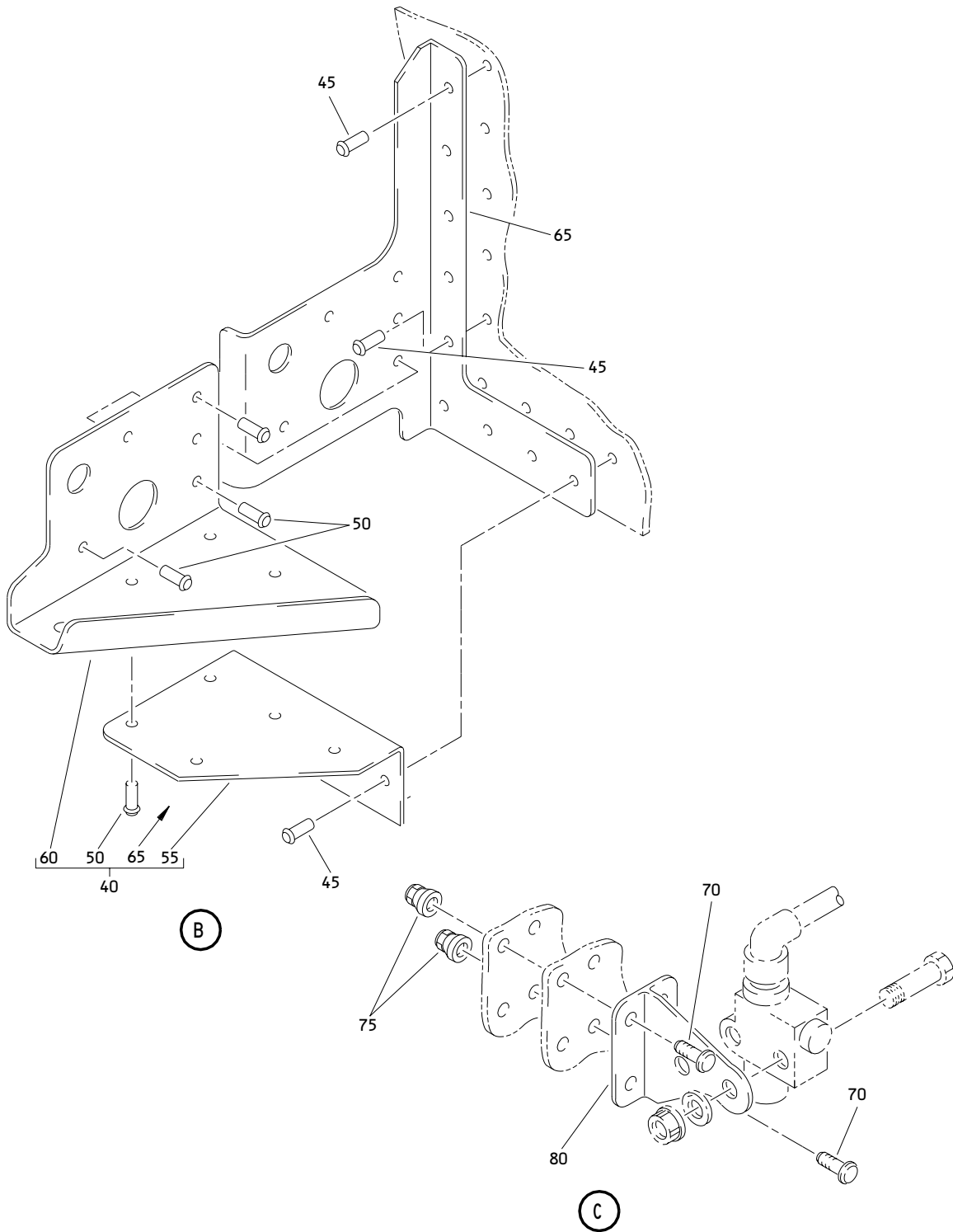
ILLUSTRATED PARTS LIST
01.1 Page 1044M
Nov 01/03



Bracket Installation
Figure 9 (Sheet 1)

78-31-41

ILLUSTRATED PARTS LIST
01.1 Page 10440
Nov 01/03



Bracket Installation
 Figure 9 (Sheet 2)

78-31-41

ILLUSTRATED PARTS LIST
 01.1 Page 1044P
 Nov 01/03

 **BOEING**
COMPONENT
MAINTENANCE MANUAL

FIG. & ITEM	PART NO.	AIRLINE PART NUMBER	NOMENCLATURE 1234567	EFF CODE	QTY PER ASSY
09- -1A	315T3154-59		BRACKET INSTL- (NHA 315T4295, REF COLLECTOR CMM 78-31-47) (NHA 315U4295, REF COLLECTOR CMM 78-31-48)	HA	RF
-1B	315T3154-71		BRACKET INSTL- (NHA 315T4295, REF COLLECTOR CMM 78-31-47)	HA	RF
-1C	315T3154-73		BRACKET INSTL- (NHA 315T4295, REF COLLECTOR CMM 78-31-47)	HA	RF
-1D	315T3154-63		BRACKET INSTL- (NHA 315U4295, REF COLLECTOR CMM 78-31-48)	HC	RF
-1E	315T3154-65		BRACKET INSTL- (NHA 315U4295, REF COLLECTOR CMM 78-31-48)	HC	RF
-1F	315T3154-67		BRACKET INSTL- (NHA 315U4295, REF COLLECTOR CMM 78-31-48)	HC	RF
-1G	315T3154-69		BRACKET INSTL- (NHA 315U4295, REF COLLECTOR CMM 78-31-48)	HC	RF
-5	315T3154-60		BRACKET INSTL- (NHA 315T4295, REF COLLECTOR CMM 78-31-47) (NHA 315U4295, REF COLLECTOR CMM 78-31-48)	HB,HD	RF
-5A	315T3154-72		BRACKET INSTL- (NHA 315T4295, REF COLLECTOR CMM 78-31-47)	HB	RF
-5B	315T3154-74		BRACKET INSTL- (NHA 315T4295, REF COLLECTOR CMM 78-31-47)	HB	RF

78-31-41

ILLUSTRATED PARTS LIST
01.1 Page 1044Q
Nov 01/03

FIG. & ITEM	PART NO.	AIRLINE PART NUMBER	NOMENCLATURE 1234567	EFF CODE	QTY PER ASSY
09-5C	315T3154-64		BRACKET INSTL- (NHA 315U4295, REF COLLECTOR CMM 78-31-48)	HD	RF
-5D	315T3154-66		BRACKET INSTL- (NHA 315U4295, REF COLLECTOR CMM 78-31-48)	HD	RF
-5E	315T3154-68		BRACKET INSTL- (NHA 315U4295, REF COLLECTOR CMM 78-31-48)	HD	RF
-5F	315T3154-70		BRACKET INSTL- (NHA 315U4295, REF COLLECTOR CMM 78-31-48)	HD	RF
10	315T3154-54		.BRACKET ASSY ATTACHING PARTS	HA,HC	1
15	BACR15FT6KE		.RIVET- (SIZE DETERMINE ON INST) -----*-----	HA,HC	9
20	BACR15BB5AD		..RIVET- (SIZE DETERMINE ON INST)	HA,HC	7
25	315T3633-67		..BRACKET	HA,HC	1
30	315T3154-8		..BRACKET	HA,HC	1
35	315T3154-56		..BRACKET	HA,HC	1
40	315T3154-55		.BRACKET ASSY ATTACHING PARTS	HB,HD	1
45	BACR15FT6KE		.RIVET- (SIZE DETERMINE ON INST) -----*-----	HB,HD	9
50	BACR15BB5AD		..RIVET- (SIZE DETERMINE ON INST)	HB,HD	10
55	315T3633-68		..BRACKET	HB,HD	1
60	315T3154-10		..BRACKET	HB,HD	1
65	315T3154-57		..BRACKET	HB,HD	1
70	HL10VAZ6-4		.BOLT- (V60516) (SPEC BACB30MY6K4) (OPT B30MY6K4 (V97928))	HA-HD	4

78-31-41

 ILLUSTRATED PARTS LIST
 01.1 Page 1044R
 Nov 01/03

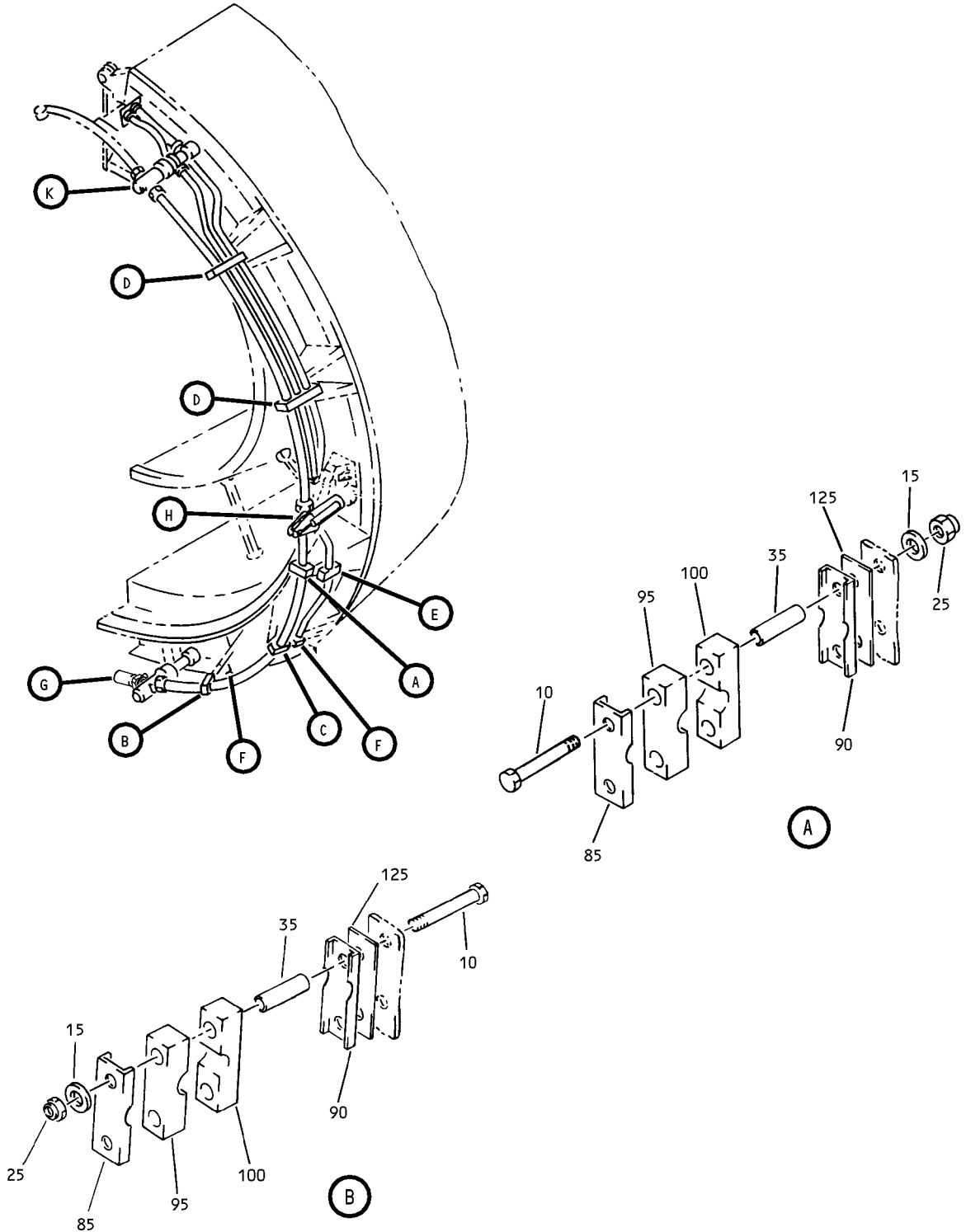
 **BOEING**
COMPONENT
MAINTENANCE MANUAL

FIG. & ITEM	PART NO.	AIRLINE PART NUMBER	NOMENCLATURE	EFF CODE	QTY PER ASSY
			1234567		
09-75	HL79-6		.COLLAR- (V5M902) (SPEC BACC30M6) (OPT HL79-6 (V73197)) (OPT HL79-6 (V92215)) (OPT 66014-6 (V56878)) (OPT HL79-6 (V56878))	HA-HD	4
80	315T3154-37		.BRACKET	HA-HD	1

- Item Not Illustrated

78-31-41

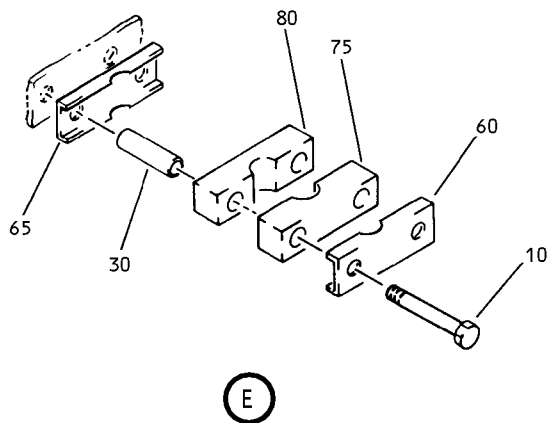
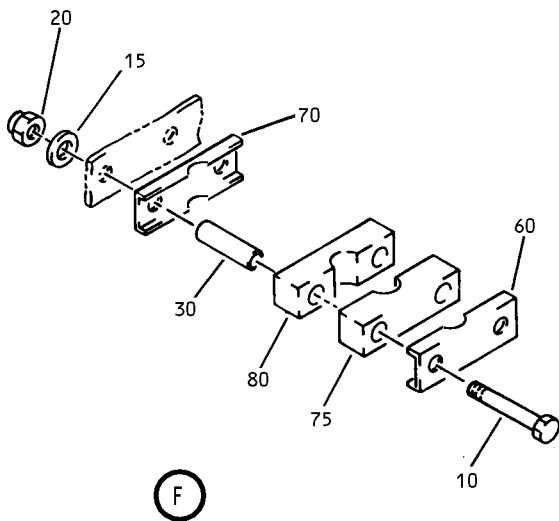
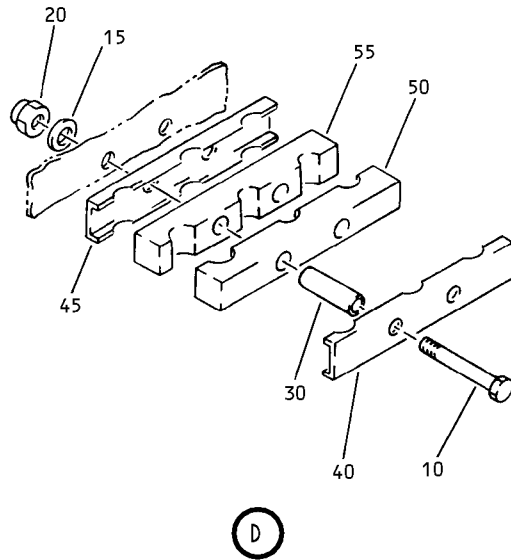
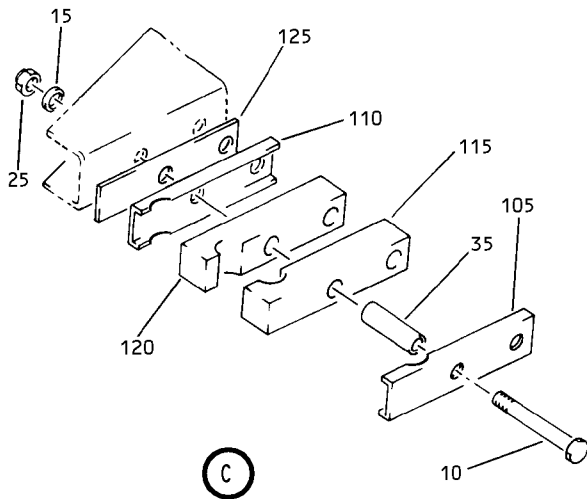
ILLUSTRATED PARTS LIST
01.1 Page 1044S
Nov 01/03



Actuator and Tubing Installation
Figure 10 (Sheet 1)

78-31-41

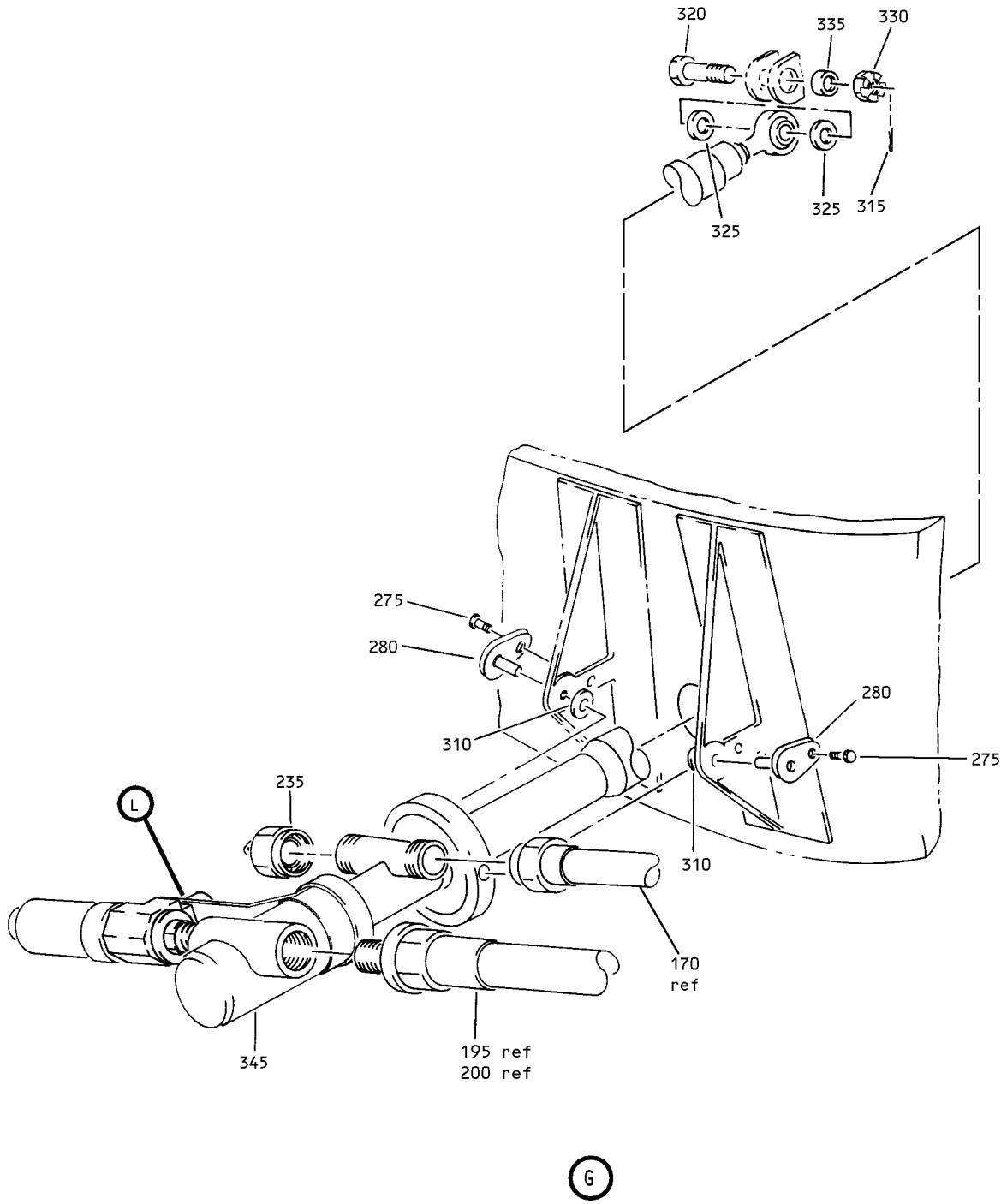
ILLUSTRATED PARTS LIST
01.1 Page 1044U
Nov 01/03



Actuator and Tubing Installation
 Figure 10 (Sheet 2)

78-31-41

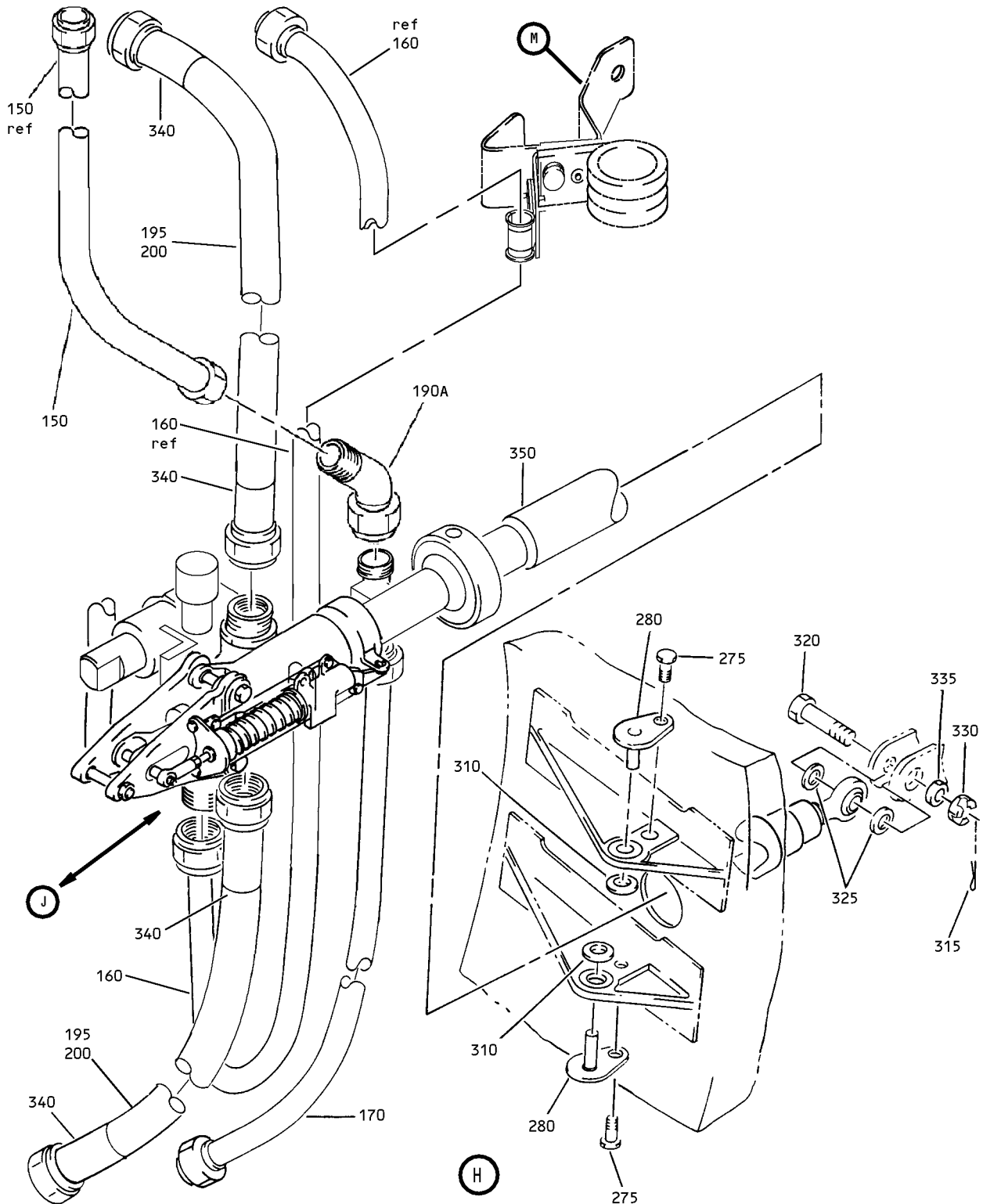
ILLUSTRATED PARTS LIST
 01.1 Page 1044V
 Nov 01/03



Actuator and Tubing Installation
Figure 10 (Sheet 3)

78-31-41

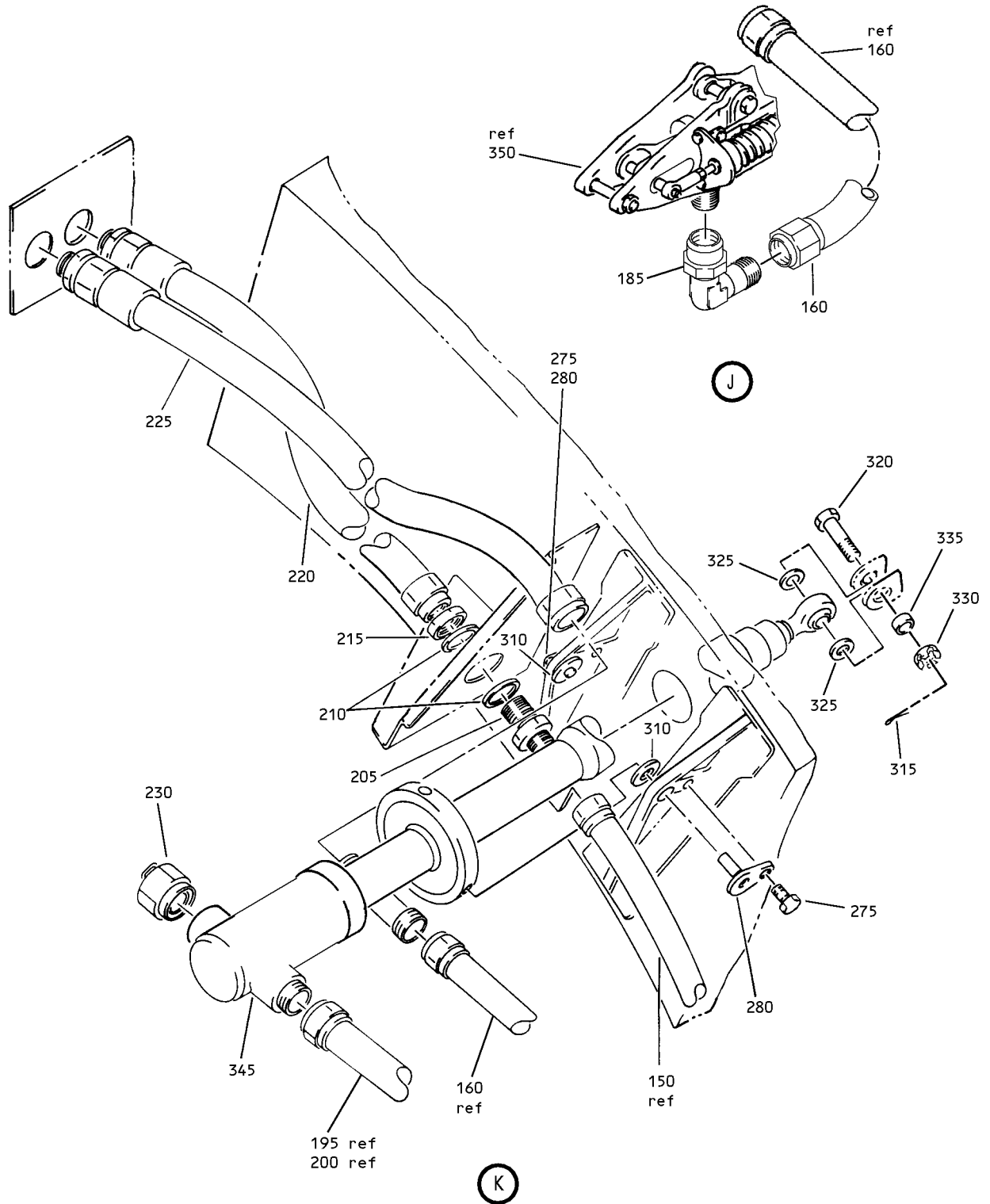
ILLUSTRATED PARTS LIST
01.1 Page 1044W
Nov 01/03



Actuator and Tubing Installation
 Figure 10 (Sheet 4)

78-31-41

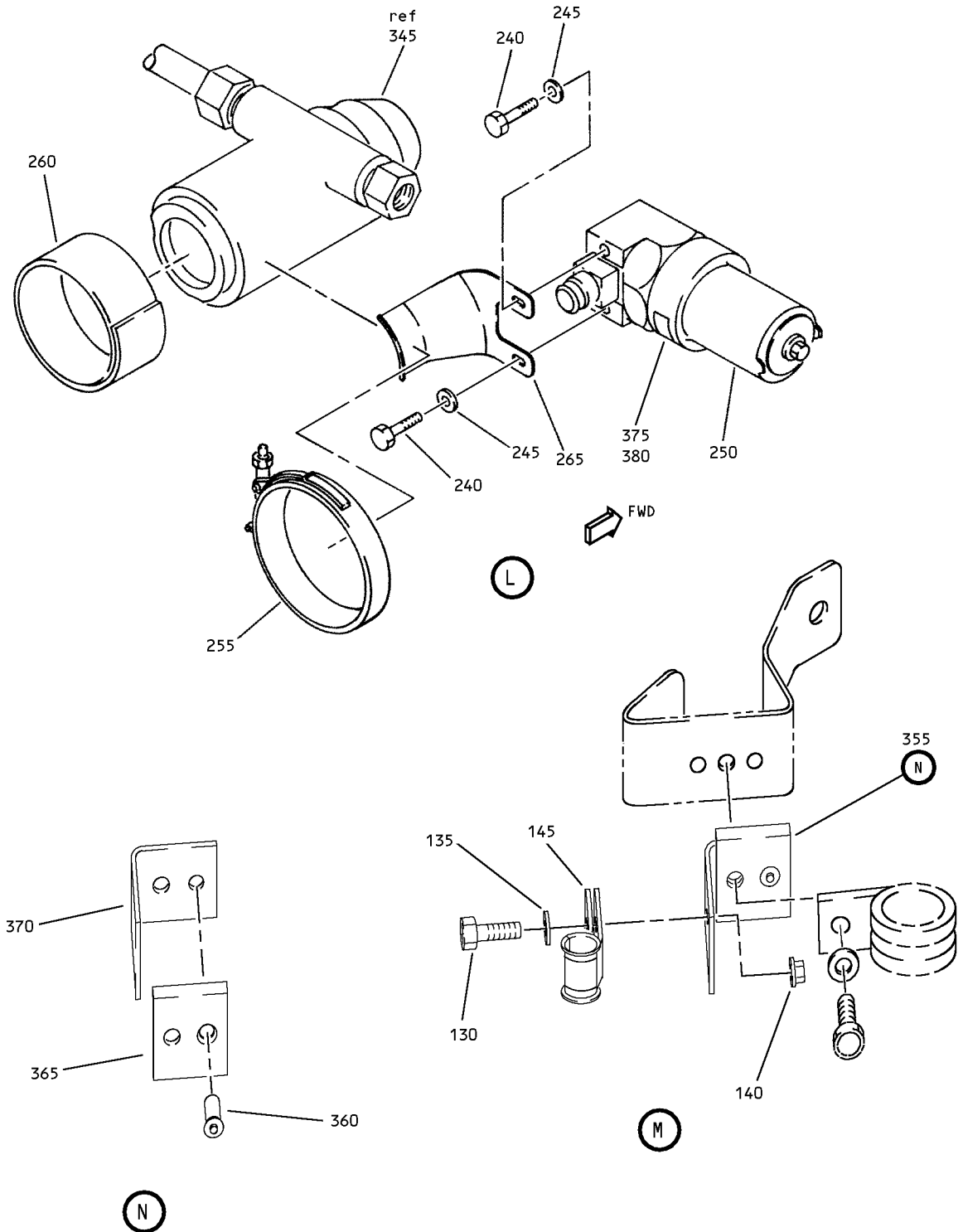
ILLUSTRATED PARTS LIST
 01.1 Page 1044X
 Nov 01/03



Actuator and Tubing Installation
Figure 10 (Sheet 5)

78-31-41

ILLUSTRATED PARTS LIST
01.1 Page 1044Y
Nov 01/03



Actuator and Tubing Installation
 Figure 10 (Sheet 6)

78-31-41

ILLUSTRATED PARTS LIST
 01.1 Page 1044Z
 Nov 01/03

 **BOEING**
COMPONENT
MAINTENANCE MANUAL

FIG. & ITEM	PART NO.	AIRLINE PART NUMBER	NOMENCLATURE 1234567	EFF CODE	QTY PER ASSY
10- -1A	315T3602-19		ACTUATOR AND TUBING INSTL- THRUST REVERSER (NHA 315T4295, REF COLLECTOR CMM 78-31-47)	HA,HC	RF
-1B	315T3602-31		ACTUATOR AND TUBING INSTL- THRUST REVERSER (NHA 315T4295, REF COLLECTOR CMM 78-31-48)	HA	RF
-1C	315T3602-33		ACTUATOR AND TUBING INSTL- THRUST REVERSER (NHA 315T4295, REF COLLECTOR CMM 78-31-47)	HA	RF
-1D	315T3602-45		ACTUATOR AND TUBING INSTL- THRUST REVERSER (NHA 315T4295, REF COLLECTOR CMM 78-31-47)	HA	RF
-1E	315T3602-47		ACTUATOR AND TUBING INSTL- THRUST REVERSER (NHA 315T4295, REF COLLECTOR CMM 78-31-47)	HA	RF
-1F	315T3602-23		ACTUATOR AND TUBING INSTL- THRUST REVERSER (NHA 315U4295, REF COLLECTOR CMM 78-31-48)	HC	RF
-1G	315T3602-25		ACTUATOR AND TUBING INSTL- THRUST REVERSER (NHA 315U4295, REF COLLECTOR CMM 78-31-48)	HC	RF
-1H	315T3602-27		ACTUATOR AND TUBING INSTL- THRUST REVERSER (NHA 315U4295, REF COLLECTOR CMM 78-31-48)	HC	RF
-1J	315T3602-29		ACTUATOR AND TUBING INSTL- THRUST REVERSER (NHA 315U4295, REF COLLECTOR CMM 78-31-48)	HC	RF
-1K	315T3602-37		ACTUATOR AND TUBING INSTL- THRUST REVERSER (NHA 315U4295, REF COLLECTOR CMM 78-31-48)	HC	RF

78-31-41

ILLUSTRATED PARTS LIST
01.1 Page 1045
Nov 01/03

FIG. & ITEM	PART NO.	AIRLINE PART NUMBER	NOMENCLATURE 1234567	EFF CODE	QTY PER ASSY
10- -1L	315T3602-39		ACTUATOR AND TUBING INSTL- THRUST REVERSER (NHA 315U4295, REF COLLECTOR CMM 78-31-48)	HC	RF
-1M	315T3602-41		ACTUATOR AND TUBING INSTL- THRUST REVERSER (NHA 315U4295, REF COLLECTOR CMM 78-31-48)	HC	RF
-1N	315T3602-43		ACTUATOR AND TUBING INSTL- THRUST REVERSER (NHA 315U4295, REF COLLECTOR CMM 78-31-48)	HC	RF
-5	315T3602-20		ACTUATOR AND TUBING INSTL- THRUST REVERSER (NHA 315T4295, REF COLLECTOR CMM 78-31-47) (NHA 315U4295, REF COLLECTOR CMM 78-31-48)	HB,HD	RF
-5A	315T3602-32		ACTUATOR AND TUBING INSTL- THRUST REVERSER (NHA 315T4295, REF COLLECTOR CMM 78-31-47)	HB	RF
-5B	315T3602-34		ACTUATOR AND TUBING INSTL- THRUST REVERSER (NHA 315T4295, REF COLLECTOR CMM 78-31-47)	HB	RF
-5C	315T3602-46		ACTUATOR AND TUBING INSTL- THRUST REVERSER (NHA 315T4295, REF COLLECTOR CMM 78-31-47)	HB	RF
-5D	315T3602-48		ACTUATOR AND TUBING INSTL- THRUST REVERSER (NHA 315T4295, REF COLLECTOR CMM 78-31-47)	HB	RF
-5E	315T3602-24		ACTUATOR AND TUBING INSTL- THRUST REVERSER (NHA 315U4295, REF COLLECTOR CMM 78-31-48)	HD	RF
-5F	315T3602-26		ACTUATOR AND TUBING INSTL- THRUST REVERSER (NHA 315U4295, REF COLLECTOR CMM 78-31-48)	HD	RF

78-31-41

 ILLUSTRATED PARTS LIST
 01.1 Page 1046
 Nov 01/03



BOEING
COMPONENT
MAINTENANCE MANUAL

FIG. & ITEM	PART NO.	AIRLINE PART NUMBER	NOMENCLATURE 1234567	EFF CODE	QTY PER ASSY
10-5G	315T3602-28		ACTUATOR AND TUBING INSTL-THRUST REVERSER (NHA 315U4295, REF COLLECTOR CMM 78-31-48)	HD	RF
-5H	315T3602-30		ACTUATOR AND TUBING INSTL-THRUST REVERSER (NHA 315U4295, REF COLLECTOR CMM 78-31-48)	HD	RF
-5J	315T3602-38		ACTUATOR AND TUBING INSTL-THRUST REVERSER (NHA 315U4295, REF COLLECTOR CMM 78-31-48)	HD	RF
-5K	315T3602-40		ACTUATOR AND TUBING INSTL-THRUST REVERSER (NHA 315U4295, REF COLLECTOR CMM 78-31-48)	HD	RF
-5L	315T3602-42		ACTUATOR AND TUBING INSTL-THRUST REVERSER (NHA 315U4295, REF COLLECTOR CMM 78-31-48)	HD	RF
-5M	315T3602-44		ACTUATOR AND TUBING INSTL-THRUST REVERSER (NHA 315U4295, REF COLLECTOR CMM 78-31-48)	HD	RF
10	NAS6703-22		.BOLT- (OPT ITEM 10A) (USED ON ITEMS 1A, 1B, 1C, 1F, 1G, 1H, 1J, 5, 5A, 5B, 5E, 5F, 5G, 5H)	HA-HD	16
-10A	NAS6703-20		.BOLT- (OPT ITEM 10) (USED ON ITEMS 1A, 1B, 1C, 1F, 1G, 1H, 1J, 5, 5A, 5B, 5E, 5F, 5G, 5H)	HA-HD	16
-10B	NAS6703-20		.BOLT- (USED ON ITEMS 1D, 1E, 1K, 1L, 1M, 1N, 5C, 5D, 5J, 5K, 5L, 5M)	HA-HD	16
15	NAS1149D0363J		.WASHER	HA-HD	14

78-31-41

ILLUSTRATED PARTS LIST
01.1 Page 1046A
Nov 01/03

FIG. & ITEM	PART NO.	AIRLINE PART NUMBER	NOMENCLATURE 1234567	EFF CODE	QTY PER ASSY
10-20	H52732-3CM		.NUT- (V15653) (SPEC BACN10YR3CM) (OPT PLH53CM (V62554)) (USED ON ITEMS 1A, 1B, 1C, 1F, 1G, 1H, 1J, 5, 5A, 5B, 5E, 5F, 5G, 5H)	HA-HD	8
-20A	H52732-3CD		.NUT- (V15653) (SPEC BACN10YR3CD) (OPT PLH53CD (V62554)) (USED ON ITEMS 1D, 1E, 1K, 1L, 1M, 1N, 5C, 5D, 5J, 5K, 5L, 5M)	HA-HD	8
25	BRH10C3M		.NUT- (V52828) (SPEC BACN10JC3CM) (OPT T6C1032JM (V11815)) (OPT 97E02 (V80539)) (OPT 109LH9075-3W (V72962)) (OPT VN303D02 (V92215)) (OPT NS202101SE02 (V80539)) (OPT H01-3BAC (V15653)) (USED ON ITEMS 1A, 1B, 1C, 1F, 1G, 1H, 1J, 5, 5A, 5B, 5E, 5F, 5G, 5H)	HA-HD	6
-25A	H52732-3CD		.NUT- (V15653) (SPEC BACN10YR3CD) (OPT PLH53CD (V62554)) (USED ON ITEMS 1D, 1E, 1K, 1L, 1M, 1N, 5C, 5D, 5J, 5K, 5L, 5M)	HA-HD	6

78-31-41

 ILLUSTRATED PARTS LIST
 01.1 Page 1046B
 Nov 01/03

 **BOEING**
COMPONENT
MAINTENANCE MANUAL

FIG. & ITEM	PART NO.	AIRLINE PART NUMBER	NOMENCLATURE 1234567	EFF CODE	QTY PER ASSY
10-30	NAS43DD3-60		.SPACER- (USED ON ITEMS 1A, 1B, 1C, 1F, 1G, 1H, 1J, 5, 5A, 5B, 5E, 5F, 5G, 5H)	HA-HD	10
-30A	NAS43DD3-60FC		.SPACER- (USED ON ITEMS 1D, 1E, 1K, 1L, 1M, 1N, 5C, 5D, 5J, 5K, 5L, 5M)	HA-HD	10
35	NAS43DD3-60FC		.SPACER	HA-HD	6
40	315T3635-36		.CHANNEL	HA-HD	2
45	315T3635-35		.CHANNEL	HA-HD	2
50	315T3635-27		.FAIRLEAD	HA-HD	2
55	315T3635-28		.FAIRLEAD	HA-HD	2
60	315T3635-32		.CHANNEL	HA-HD	3
65	315T3635-39		.CHANNEL	HA-HD	1
70	315T3635-31		.CHANNEL	HA-HD	2
75	315T3635-23		.FAIRLEAD- (315T3635-24 (QTY 2) CAN REPLACE BUT NOT BE REPLACED BY 315T3635-3 (QTY 2) PROVIDED THAT (2) NAS543DD3-68FC SPACERS TOGETHER WITH (2) NAS6703-22 (OR BACB30LM3-22) BOLTS ARE ALSO USED. ALTERNATIVELY 315T3635-23 TOGETHER WITH 315T3635-24 CAN REPLACE BUT NOT BE REPLACED BY 315T3635-3 (QTY 2) PROVIDED THAT (2) NAS43DD3-68FC SPACERS ARE ALSO REPLACED BY NAS43DD3-60 SPACERS)	HA-HD	3

78-31-41

ILLUSTRATED PARTS LIST
01.1 Page 1046C
Nov 01/03

FIG. & ITEM	PART NO.	AIRLINE PART NUMBER	NOMENCLATURE 1234567	EFF CODE	QTY PER ASSY
10-80	315T3635-24		.FAIRLEAD- (315T3635-24 (QTY 2) CAN REPLACE BUT NOT BE REPLACED BY 315T3635-3 (QTY 2) PROVIDED THAT (2) NAS543DD3-68FC SPACERS TOGETHER WITH (2) NAS6703-22 (OR BACB30LM3-22) BOLTS ARE ALSO USED. ALTERNATIVELY 315T3635-23 TOGETHER WITH 315T3635-24 CAN REPLACE BUT NOT BE REPLACED BY 315T3635-3 (QTY 2) PROVIDED THAT (2) NAS43DD3-68FC SPACERS ARE ALSO REPLACED BY NAS43DD3-60 SPACERS)	HA-HD	3
85	315T3635-34		.CHANNEL	HA-HD	2
90	315T3635-33		.CHANNEL	HA-HD	2
95	315T3635-26		.FAIRLEAD	HA-HD	2
100	315T3635-25		.FAIRLEAD	HA-HD	2
105	315T3635-38		.CHANNEL	HA-HD	1
110	315T3635-37		.CHANNEL	HA-HD	1
115	315T3635-30		.FAIRLEAD	HA-HD	1
120	315T3635-29		.FAIRLEAD	HA-HD	1
125	BACS40R006E034F		.SHIM	HA-HD	AR
130	NAS1801-3-7		.SCREW	HA,HC	1

78-31-41

 ILLUSTRATED PARTS LIST
 01.1 Page 1046D
 Nov 01/03

 **BOEING**
COMPONENT
MAINTENANCE MANUAL

FIG. & ITEM	PART NO.	AIRLINE PART NUMBER	NOMENCLATURE 1234567	EFF CODE	QTY PER ASSY
10-135	NAS1149C0332R		.WASHER	HA,HC	1
140	H52732-3CM		.NUT- (V15653) (SPEC BACN10YR3CM) (OPT PLH53CM (V62554))	HA,HC	1
145	BACC10GT3-06		.CLAMP ASSY- (V83930) (SPEC BACC10GT3-06)	HA,HC	1
150	315T3602-3		.TUBE ASSY- (MFD FROM TUBING CRES 21-6-9 BMS7-185 F-25.01 0.375 IN. OD 0.020 IN. WALL 66.0 IN. LG)	HA,HC	1
-155	315T3602-4		.TUBE ASSY- (MFD FROM TUBING CRES 21-6-9 BMS7-185 F-25.01 0.375 IN. OD 0.020 IN. WALL 66.0 IN. LG)	HB,HD	1
160	315T3602-9		.TUBE ASSY- (MFD FROM TUBING CRES 21-6-9 BMS7-185 F-25.01 0.375 IN. OD 0.020 IN. WALL 72.0 IN. LG) (USED ON ITEMS 1A, 1B, 1C, 1F, 1G, 1H, 1J)	HA,HC	1
-160A	315T3602-35		.TUBE ASSY- (MFD FROM TUBING CRES 21-6-9 BMS7-185 F-25.01 0.375 IN. OD 0.020 IN. WALL 72.0 IN. LG) (USED ON ITEMS 1D, 1E, 1K, 1L, 1M, 1N)	HA,HC	1
-165	315T3602-11		.TUBE ASSY- (MFD FROM TUBING CRES 21-6-9 BMS7-185 F-25.01 0.375 IN. OD 0.020 IN. WALL 66.0 IN. LG)	HB,HD	1

78-31-41

ILLUSTRATED PARTS LIST
01.1 Page 1046E
Nov 01/03

FIG. & ITEM	PART NO.	AIRLINE PART NUMBER	NOMENCLATURE 1234567	EFF CODE	QTY PER ASSY
10-170	315T3602-7		.TUBE ASSY- (MFD FROM TUBING CRES 21-6-9 BMS7-185 F-25.01 0.375 IN. OD 0.020 IN. WALL 66.0 IN. LG)	HA-HD	1
-175	DB0S13BX06H		..SLEEVE- (V14798) (SPEC BACS13BX06H) (OPT 2-02903-06H (V11328)) (OPT 35235V06 (V08199)) (OPT AP2097-06H (V01673)) (OPT AFP175V06 (V30974))	HA-HD	2
-180	BACN10CS06J		..NUT	HA-HD	2
185	AP1042JN0606		.ELBOW- (V01673) (SPEC BACE21BT0606JN) (USED ON ITEMS 1D, 1E, 1K, 1L, 1M, 1N)	HA,HC	1
190	BACE21AU0606		DELETED		
R 190A	BACE21BR0606P		.ELBOW- (USED ON ITEMS 1D, 1E, 1K, 1L, 1M, 1N, 5C, 5D, 5J, 5K, 5L, 5M)	HA-HD	1
R 190B	BACE21BR0606P		.ELBOW- (USED ON ITEMS 1A, 1B, 1C, 1F, 1G, 1H, 1J, 5, 5A, 5B, 5E, 5F, 5G, 5H)	HA-HD	1
195	4242200-1		.SHAFT-FLEX (V93835) (SPEC S315T360-5)	HA-HD	2
200	4242100-11		.TUBING-ROTARY FLEX (V93835) (SPEC S315T360-35)	HA-HD	2

78-31-41

 ILLUSTRATED PARTS LIST
 01.1 Page 1046F
 Nov 01/03

 **BOEING**
COMPONENT
MAINTENANCE MANUAL

FIG. & ITEM	PART NO.	AIRLINE PART NUMBER	NOMENCLATURE 1234567	EFF CODE	QTY PER ASSY
10-205	AFP238-0806J		.UNION- (V30974) (SPEC BACU24AA0806J) (OPT ER832-0806J (V50948)) (OPT LER832-0806J (V11328)) (OPT 2-010890806J (V11328)) (OPT APX832-0806J (V01673)) (OPT DBOU24AA0806J (V61498)) (OPT FER1579-0806J (V14397)) (OPT US2113-0806J (V50808)) (OPT APX832J0806 (V01673))	HA-HD	1
210	NAS1149D1290J		.WASHER- (USED ON ITEMS 1A, 1B, 1C, 1F, 1G, 1H, 1J, 5, 5A, 5B, 5E, 5F, 5G, 5H)	HA-HD	2
-210A	NAS1149E1290P		.WASHER- (OPT ITEM 210B) (USED ON ITEMS 1D, 1E, 1K, 1L, 1M, 1N, 5C, 5D, 5J, 5K, 5L, 5M)	HA-HD	2
-210B	NAS1149D1290J		.WASHER- (OPT ITEM 210A) (USED ON ITEMS 1D, 1E, 1K, 1L, 1M, 1N, 5C, 5D, 5J, 5K, 5L, 5M)	HA-HD	2

78-31-41

ILLUSTRATED PARTS LIST
01.1 Page 1046G
Nov 01/03

FIG. & ITEM	PART NO.	AIRLINE PART NUMBER	NOMENCLATURE 1234567	EFF CODE	QTY PER ASSY
10- 215 220	AN924-8J AS152G0151DDN		.NUT .HOSE ASSY- (V00624) (SPEC BACH6P0151DDN) (OPT B464DDD0181CN (V03925)) (OPT R8963P0181DDN (V06851)) (OPT 96854P0181CCN (V78570)) (OPT AS119G0151DDN (V00624)) (OPT R8947P0151DDN (V06851)) (OPT R8947P0151DDN (V50599)) (OPT R8963P0151DDN (V06851))	HA-HD HA-HD	1 1
225	AS152G0181CCN		.HOSE ASSY- (V00624) (SPEC BACH6P0181CCN) (OPT B464DDD0181CN (V03925)) (OPT R8963P0181CCN (V06851)) (OPT 96854P0181CCN (V78570)) (OPT AS119G0181CCN (V00624)) (OPT R8947P0181CCN (V06851)) (OPT R8947P0181CCN (V50599)) (OPT R8963P0181CCN (V06851))	HA-HD	1

78-31-41

 ILLUSTRATED PARTS LIST
 01.1 Page 1046H
 Nov 01/03

 **BOEING**
COMPONENT
MAINTENANCE MANUAL

FIG. & ITEM	PART NO.	AIRLINE PART NUMBER	NOMENCLATURE 1234567	EFF CODE	QTY PER ASSY
10-230	AP1008-12J		.CAP ASSY- (V01673) (SPEC BACC14AD12J) (OPT DBOC14AD12J (V14798)) (OPT FER22661-12J (V14397)) (OPT 2-02813-12J (V11328)) (OPT 4690009-12J (V50948)) (OPT AFP241-12J (V30974)) (OPT US2103-12J (V50808))	HA-HD	1
235	AP1008-06J		.CAP ASSY- (V01673) (SPEC BACC14AD06J) (OPT DBOC14AD06J (V14798)) (OPT FER22661-06J (V14397)) (OPT 2-02813-06J (V11328)) (OPT 4690009-06J (V50948)) (OPT AFP241-06J (V30974)) (OPT US2103-06J (V50808))	HA-HD	1

78-31-41

ILLUSTRATED PARTS LIST
01.1 Page 1046I
Nov 01/03

FIG. & ITEM	PART NO.	AIRLINE PART NUMBER	NOMENCLATURE 1234567	EFF CODE	QTY PER ASSY
10-					
240	NAS6703U1		.BOLT	HA-HD	2
245	BACW10BP3ACU		.WASHER	HA-HD	2
250	TY1878-22		.LOCK ASSY-MANUAL ACTR (VK0377) (SPEC S315N370-3) (OPT ITEM 250A)	HA-HD	1
-250A	TY1878-21		.LOCK ASSY-MANUAL ACTR (VK0377) (SPEC S315N370-2) (OPT ITEM 250)	HA-HD	1
255	BACC10BN288L5ME		.CLAMP- (OPT ITEM 255A) (USED ON ITEMS 1A, 1B, 1C, 1F, 1G, 1H, 1J, 5, 5A, 5B, 5E, 5F, 5G, 5H)	HA-HD	1
-255A	BACC10GW0275-OE		.CLAMP- (OPT ITEM 255) (USED ON ITEMS 1A, 1B, 1C, 1F, 1G, 1H, 1J, 5, 5A, 5B, 5E, 5F, 5G, 5H)	HA-HD	1
-255B	BACC10BN288L5ME		.CLAMP- (USED ON ITEMS 1D, 1E, 1K, 1L, 1M, 1N, 5C, 5D, 5J, 5K, 5L, 5M)	HA-HD	1
260	315T4717-1		.GASKET	HA-HD	1
265	315T4716-1		.BRACKET	HA,HC	1
-270	315T4716-2		.BRACKET	HB,HD	1
275	BACB30LM4		.BOLT- (USED ON ITEMS 1A, 1B, 1C, 1F, 1G, 1H, 1J, 5, 5A, 5B, 5E, 5F, 5G, 5H)	HA-HD	6
-275A	NAS6704-2		.BOLT- (USED ON ITEMS 1D, 1E, 1K, 1L, 1M, 1N, 5C, 5D, 5J, 5K, 5L, 5M)	HA-HD	6
280	315T3631-13		.FITTING-ACTR RTNR (OPT ITEMS 285, 290) (USED ON ITEMS 1A, 1B, 1C, 1F, 1G, 1H, 1J, 5, 5A, 5B, 5E, 5F, 5G, 5H)	HA-HD	6

78-31-41

 ILLUSTRATED PARTS LIST
 01.1 Page 1046J
 Nov 01/03

 **BOEING**
COMPONENT
MAINTENANCE MANUAL

FIG. & ITEM	PART NO.	AIRLINE PART NUMBER	NOMENCLATURE 1234567	EFF CODE	QTY PER ASSY
10- -280A	315T3631-13		.FITTING-ACTR RTNR (USED ON ITEMS 1D, 1E, 1K, 1L, 1M, 1N, 5C, 5D, 5J, 5K, 5L, 5M)	HA-HD	6
-285	315T3631-7		.FITTING ASSY-ACTR RTNR (OPT ITEM 280) (USED ON ITEMS 1A, 1B, 1C, 1F, 1G, 1H, 1J, 5, 5A, 5B, 5E, 5F, 5G, 5H)	HA-HD	5
-290	315T3631-11		.FITTING ASSY-ACTR RTNR (OPT ITEM 280) (USED ON ITEMS 1A, 1B, 1C, 1F, 1G, 1H, 1J, 5, 5A, 5B, 5E, 5F, 5G, 5H)	HA-HD	1
-295	315T3631-3		..PIN	HA-HD	1
-300	315T3631-8		..PLATE- (USED ON ITEM 280)	HA-HD	1
-305	315T3631-12		..PLATE- (USED ON ITEM 285)	HA-HD	1
310	315T3633-26		.SHIM	HA-HD	6
315	MS24665-153		.PIN-COTTER	HA-HD	3
320	NAS6705D18		.BOLT	HA-HD	3
325	AN960-516		.WASHER- (USED ON ITEMS 1A, 1B, 1C, 1F, 1G, 1H, 1J, 5, 5A, 5B, 5E, 5F, 5G, 5H)	HA-HD	6
-325A	NAS1149E0563P		.WASHER- (USED ON ITEMS 1D, 1E, 1K, 1L, 1M, 1N, 5C, 5D, 5J, 5K, 5L, 5M)	HA-HD	6
330	BACN10JD105		.NUT	HA-HD	3

78-31-41

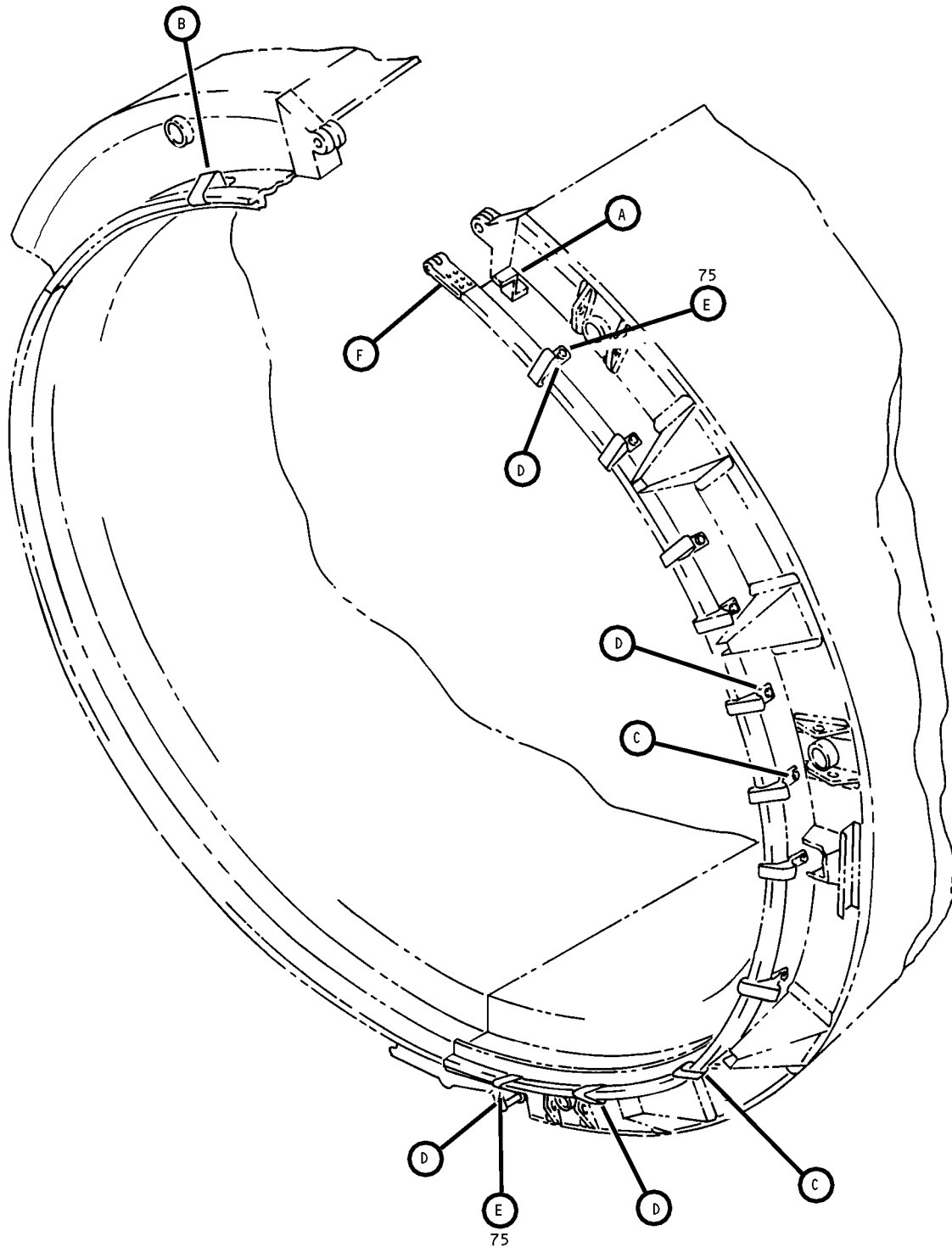
ILLUSTRATED PARTS LIST
01.1 Page 1046K
Nov 01/03

FIG. & ITEM	PART NO.	AIRLINE PART NUMBER	NOMENCLATURE 1234567	EFF CODE	QTY PER ASSY
10-					
335	NAS74A5E006P		.BUSHING	HA-HD	3
340	BACT11SH18F		.TAPE	HA-HD	4
345	2190000-23		.ACTUATOR-NON-LOCKING (V93835) (SPEC S315T360-49) (OPT ITEM 345A)	HA-HD	2
-345A	2190000-21		.ACTUATOR-NON-LOCKING (V93835) (SPEC S315T360-39) (OPT ITEM 345)	HA-HD	2
350	2190000-46		.ACTUATOR-LOCKING (V93835) (SPEC S315T360-48) (OPT ITEM 350A, 350B)	HA-HD	1
-350A	2190000-28		.ACTUATOR-LOCKING (V93835) (SPEC S315T360-37) (OPT ITEM 350, 350B)	HA-HD	1
-350B	2190000-36		.ACTUATOR-LOCKING (V93835) (SPEC S315T360-45) (OPT ITEM 350, 350A)	HA-HD	1
355	315T4601-1		.BRACKET ASSY	HA,HC	1
360	BACR15CE4M		..RIVET- (SIZE DETERMINE ON INST)	HA,HC	1
365	315T4601-2		..CHANNEL	HA,HC	1
370	315T4601-3		..ANGLE	HA,HC	1
375	BAC27TTR59		.MARKER-ALUMINUM FOIL- V170	HA-HD	1
380	BAC27TTR60		.MARKER-ALUMINUM FOIL- V171	HA-HD	1

- Item Not Illustrated

78-31-41

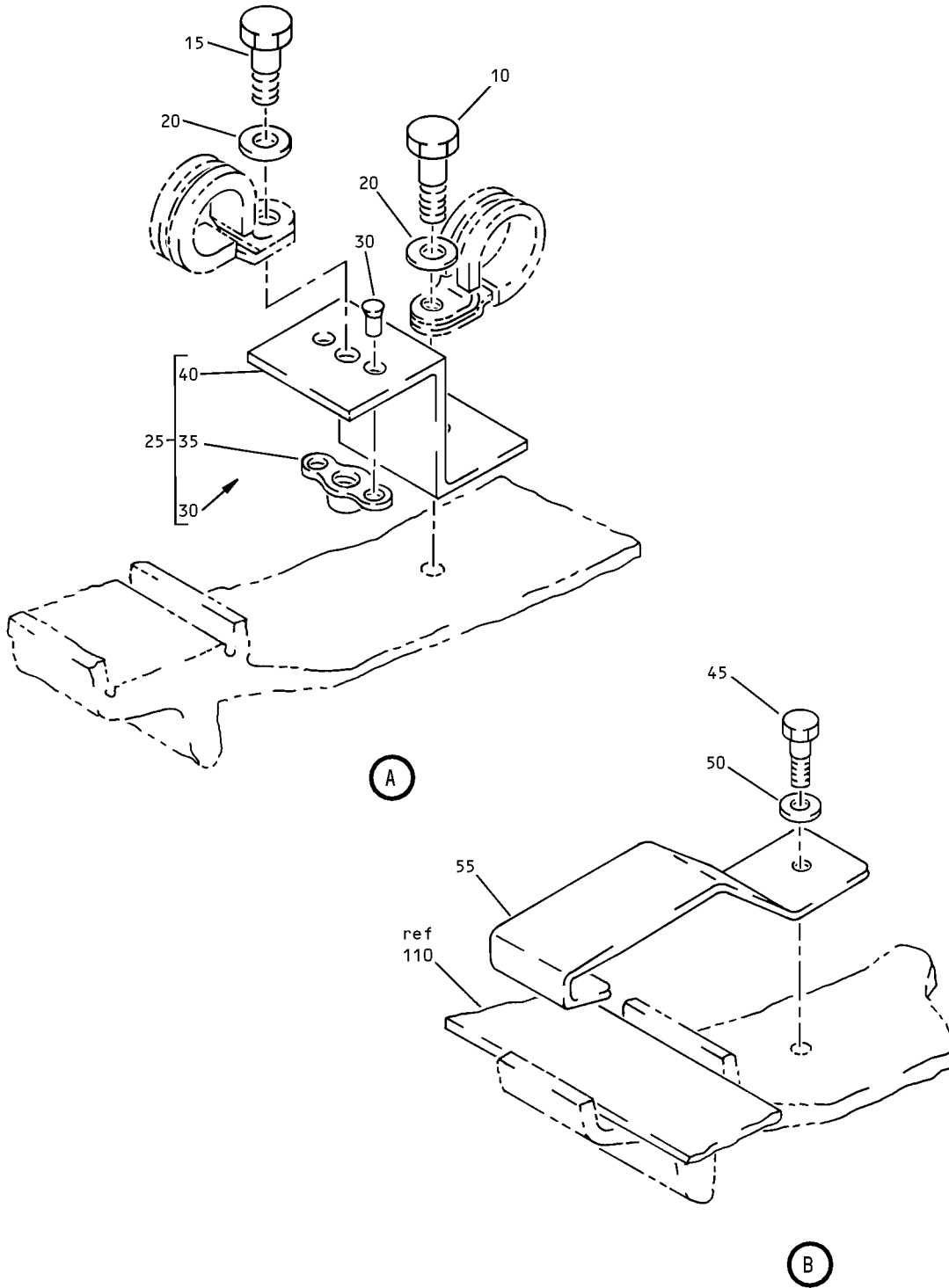
 ILLUSTRATED PARTS LIST
 01.1 Page 1046L
 Nov 01/03



Vee Groove Latch Installation
Figure 11 (Sheet 1)

78-31-41

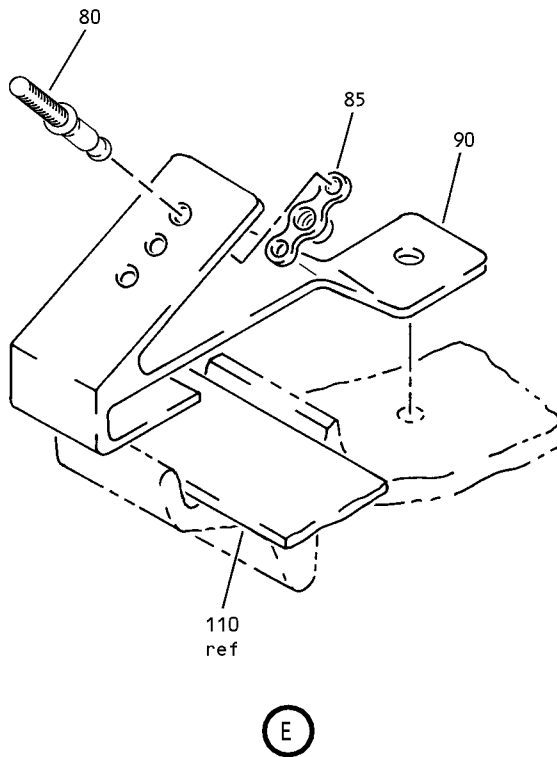
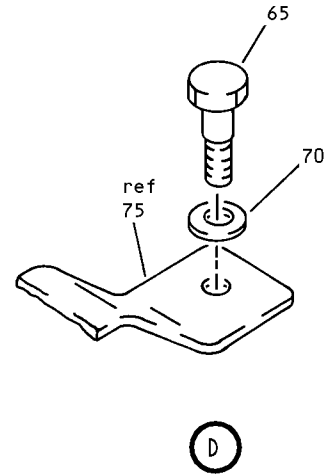
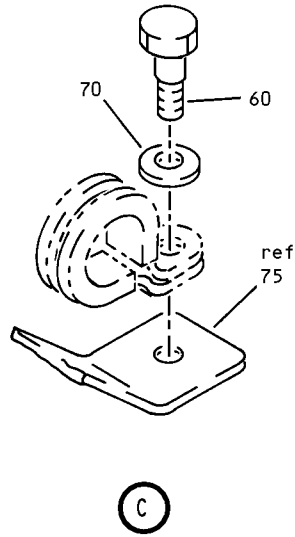
ILLUSTRATED PARTS LIST
01.1 Page 1046M
Nov 01/03



Vee Groove Latch Installation
Figure 11 (Sheet 2)

78-31-41

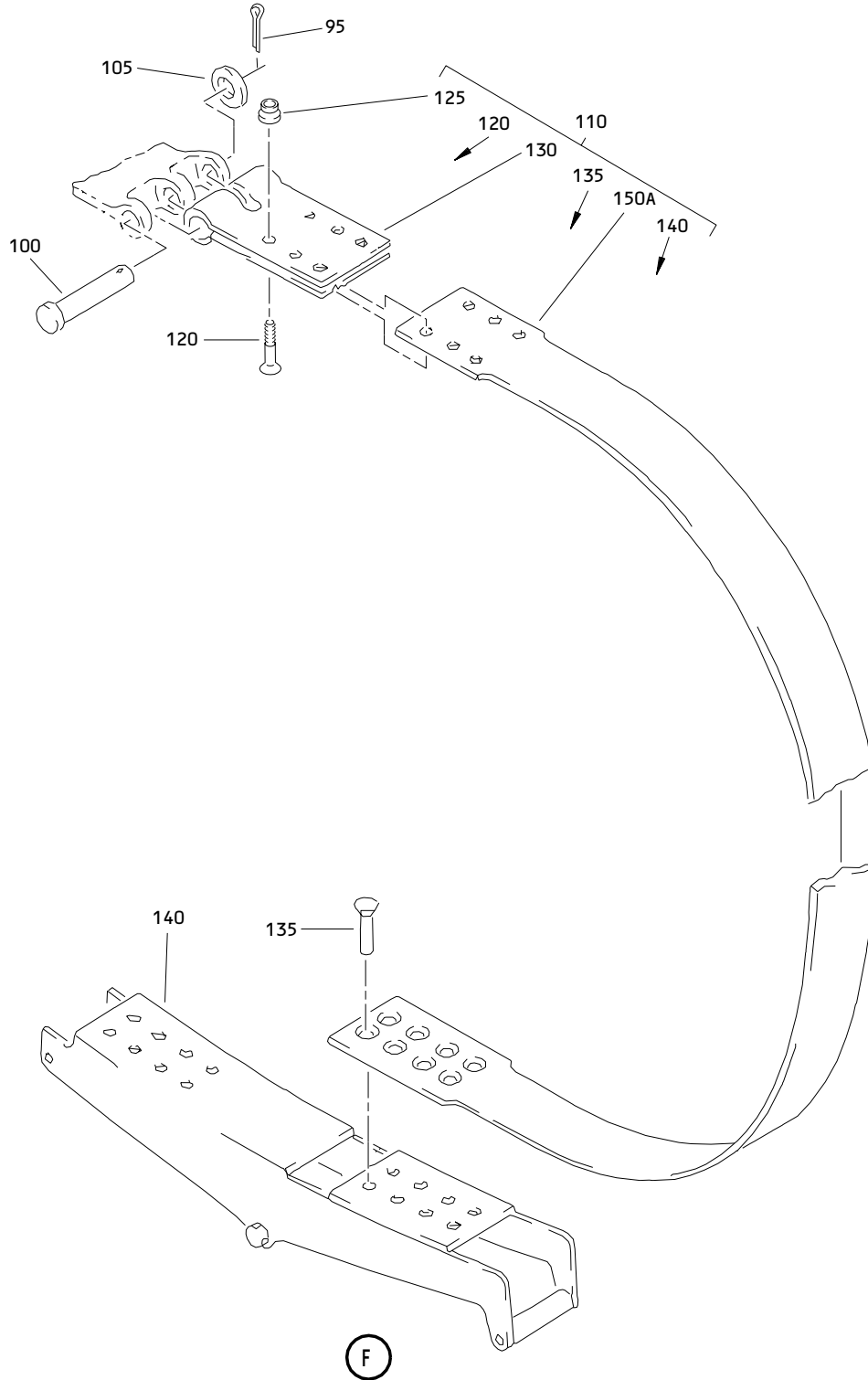
ILLUSTRATED PARTS LIST
01.1 Page 1046N
Nov 01/03



Vee Groove Latch Installation
Figure 11 (Sheet 3)

78-31-41

ILLUSTRATED PARTS LIST
01.1 Page 10460
Nov 01/03



Vee Groove Latch Installation
Figure 11 (Sheet 4)

78-31-41

ILLUSTRATED PARTS LIST
01.1 Page 1046P
Nov 01/03

 **BOEING**
COMPONENT
MAINTENANCE MANUAL

FIG. & ITEM	PART NO.	AIRLINE PART NUMBER	NOMENCLATURE 1234567	EFF CODE	QTY PER ASSY
11- -1A	315T3208-11		LATCH INSTL-VEE GROOVE BAND RTNR, WIRE AND TUBE SPRT (NHA 315T4295, REF COLLECTOR CMM 78-31-47) (NHA 315U4295, REF COLLECTOR CMM 78-31-48)	HA,HC	RF
-1B	315T3208-27		LATCH INSTL-VEE GROOVE BAND RTNR, WIRE AND TUBE SPRT (NHA 315T4295, REF COLLECTOR CMM 78-31-47)	HA	RF
-1C	315T3208-29		LATCH INSTL-VEE GROOVE BAND RTNR, WIRE AND TUBE SPRT (NHA 315T4295, REF COLLECTOR CMM 78-31-47)	HA	RF
-1D	315T3208-19		LATCH INSTL-VEE GROOVE BAND RTNR, WIRE AND TUBE SPRT (NHA 315U4295, REF COLLECTOR CMM 78-31-48)	HC	RF
-1E	315T3208-21		LATCH INSTL-VEE GROOVE BAND RTNR, WIRE AND TUBE SPRT (NHA 315U4295, REF COLLECTOR CMM 78-31-48)	HC	RF
-1F	315T3208-23		LATCH INSTL-VEE GROOVE BAND RTNR, WIRE AND TUBE SPRT (NHA 315U4295, REF COLLECTOR CMM 78-31-48)	HC	RF
-1G	315T3208-25		LATCH INSTL-VEE GROOVE BAND RTNR, WIRE AND TUBE SPRT (NHA 315U4295, REF COLLECTOR CMM 78-31-48)	HC	RF
-5	315T3208-12		LATCH INSTL-VEE GROOVE BAND RTNR, WIRE AND TUBE SPRT (NHA 315T4295, REF COLLECTOR CMM 78-31-47) (NHA 315U4295, REF COLLECTOR CMM 78-31-48)	HB,HD	RF

78-31-41

ILLUSTRATED PARTS LIST
01.1 Page 1046Q
Nov 01/03

FIG. & ITEM	PART NO.	AIRLINE PART NUMBER	NOMENCLATURE 1234567	EFF CODE	QTY PER ASSY
11-5A	315T3208-28		LATCH INSTL-VEE GROOVE BAND RTNR, WIRE AND TUBE SPRT (NHA 315T4295, REF COLLECTOR CMM 78-31-47)	HB	RF
-5B	315T3208-30		LATCH INSTL-VEE GROOVE BAND RTNR, WIRE AND TUBE SPRT (NHA 315T4295, REF COLLECTOR CMM 78-31-47)	HB	RF
-5C	315T3208-20		LATCH INSTL-VEE GROOVE BAND RTNR, WIRE AND TUBE SPRT (NHA 315U4295, REF COLLECTOR CMM 78-31-48)	HD	RF
-5D	315T3208-22		LATCH INSTL-VEE GROOVE BAND RTNR, WIRE AND TUBE SPRT (NHA 315U4295, REF COLLECTOR CMM 78-31-48)	HD	RF
-5E	315T3208-24		LATCH INSTL-VEE GROOVE BAND RTNR, WIRE AND TUBE SPRT (NHA 315U4295, REF COLLECTOR CMM 78-31-48)	HD	RF
-5F	315T3208-26		LATCH INSTL-VEE GROOVE BAND RTNR, WIRE AND TUBE SPRT (NHA 315U4295, REF COLLECTOR CMM 78-31-48)	HD	RF
10	BACB30NM3K5		.BOLT	HA,HC	1
15	BACB30NM3K3		.BOLT	HA,HC	1
20	NAS1149C0332R		.WASHER	HA,HC	2
25	315T4726-13		.BRACKET ASSY	HA,HC	1
30	BACR15BA3AD3R5		..RIVET	HA,HC	2

78-31-41

 ILLUSTRATED PARTS LIST
 01.1 Page 1046R
 Nov 01/03

 **BOEING**
COMPONENT
MAINTENANCE MANUAL

FIG. & ITEM	PART NO.	AIRLINE PART NUMBER	NOMENCLATURE 1234567	EFF CODE	QTY PER ASSY
11-35	BR2000C3M		..NUTPLATE- (V52828) (SPEC BACN10JR3CM) (OPT K1001-3BAC (V15653)) (OPT NS103202SE02 (V80539)) (OPT VN102D1-02 (V92215)) (OPT 109A9201-3 (V72962)) (OPT T8089C1032 (V11815))	HA,HC	1
40	315T4726-14		..BRACKET	HA,HC	1
45	BACB30NM3K3		.BOLT	HB,HD	1
50	NAS1149C0332R		.WASHER	HB,HD	1
55	315T3251-1		.RETAINER-BAND	HB,HD	1
60	BACB30NM3K5		.BOLT	HA-HD	4
65	BACB30NM3K		.BOLT- (SIZE DETERMINE ON INST)	HA-HD	7
70	NAS1149C0332R		.WASHER	HA-HD	11
75	315T3251-8		.RETAINER ASSY-BAND	HA-HD	11
80	AF5141-3C		..RIVET- (V53551) (SPEC BACR15DR3AC)	HA-HD	2
85	BR2000C3D		..NUTPLATE- (V52828) (SPEC BACN10JR3CD) (OPT K51601-3BAC (V15653)) (OPT NS202439-02 (V80539)) (OPT 102A9201-3 (V72962))	HA-HD	1

78-31-41

ILLUSTRATED PARTS LIST
01.1 Page 1046S
Nov 01/03

FIG. & ITEM	PART NO.	AIRLINE PART NUMBER	NOMENCLATURE 1234567	EFF CODE	QTY PER ASSY
11-					
90	315T3251-7		..RETAINER	HA-HD	1
95	MS24665-300		.PIN-COTTER	HA-HD	1
100	BACP18T5-52		.PIN-FLATHEAD	HA-HD	1
105	AN960C516		.WASHER	HA-HD	1
110	315T3250-5		.BAND ASSY-LATCH	HA,HC	1
-115	315T3250-6		.BAND ASSY-LATCH	HB,HD	1
120	HL441UC5-4		..BOLT- (V97928) (SPEC BACB30FN5A4) (OPT HL441UC5-4 (V73197)) (OPT HL441UC5-4 (V92215)) (OPT HL41PY5-4 (V80539)) (OPT HL441N5-4 (V80539)) (OPT HL441UC5-4 (V80539)) (OPT 67068-5A4 (V56878)) (OPT HL441UC5-4 (V08524)) (OPT HL19-5A4 (V06725)) (OPT L839-5A4 (V06725)) (OPT HL441UC5-4 (V56878))	HA-HD	6

78-31-41

 ILLUSTRATED PARTS LIST
 01.1 Page 1046T
 Nov 01/03

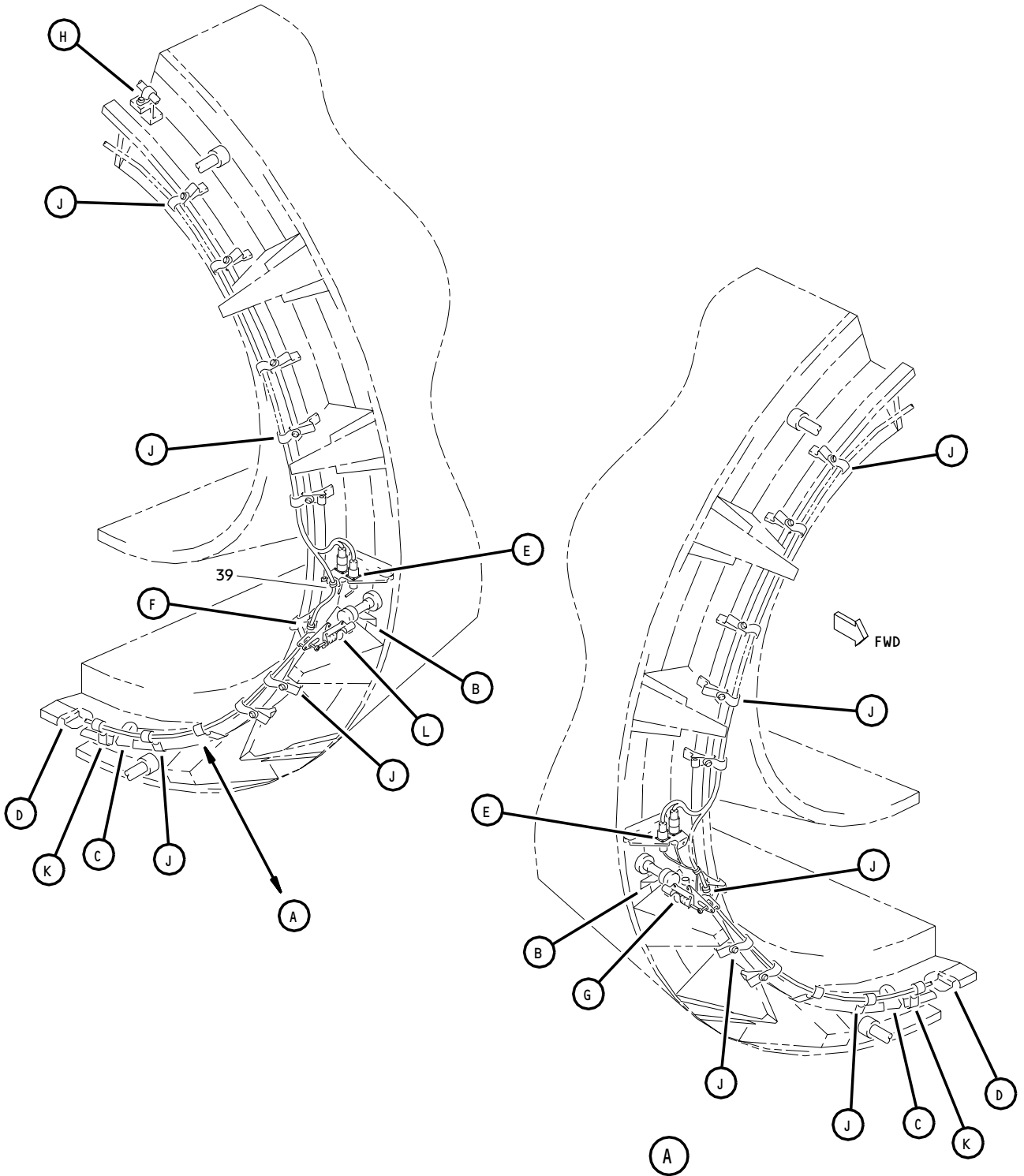
 **BOEING**
COMPONENT
MAINTENANCE MANUAL

FIG. & ITEM	PART NO.	AIRLINE PART NUMBER	NOMENCLATURE 1234567	EFF CODE	QTY PER ASSY
11-125	HL79-5		..COLLAR- (V5M902) (SPEC BACC30M5) (OPT HL70-5 (V73197)) (OPT HL70-5 (V92215)) (OPT 66014-5 (V56878)) (OPT HL70-5 (V56878))	HA-HD	6
130	315T3252-2		..FITTING	HA-HD	1
135	NAS1200-6		..RIVET- (SIZE DETERMINE ON INST)	HA-HD	8
140	H2626-35		..RECEIVER- (V83014) (SPEC S315T101-2)	HA,HC	1
-145	H2865-17		..RECEIVER- (V83014) (SPEC S315T101-4) (OPT H2865-19 (V83014))	HB,HD	1
-145A	H2865-19		..RECEIVER- (V83014) (SPEC S315T101-4) (OPT H2865-17 (V83014))	HB,HD	1
150A	315T3250-3		..BAND	HA,HC	1
-155A	315T3250-4		..BAND	HB,HD	1

- Item Not Illustrated

78-31-41

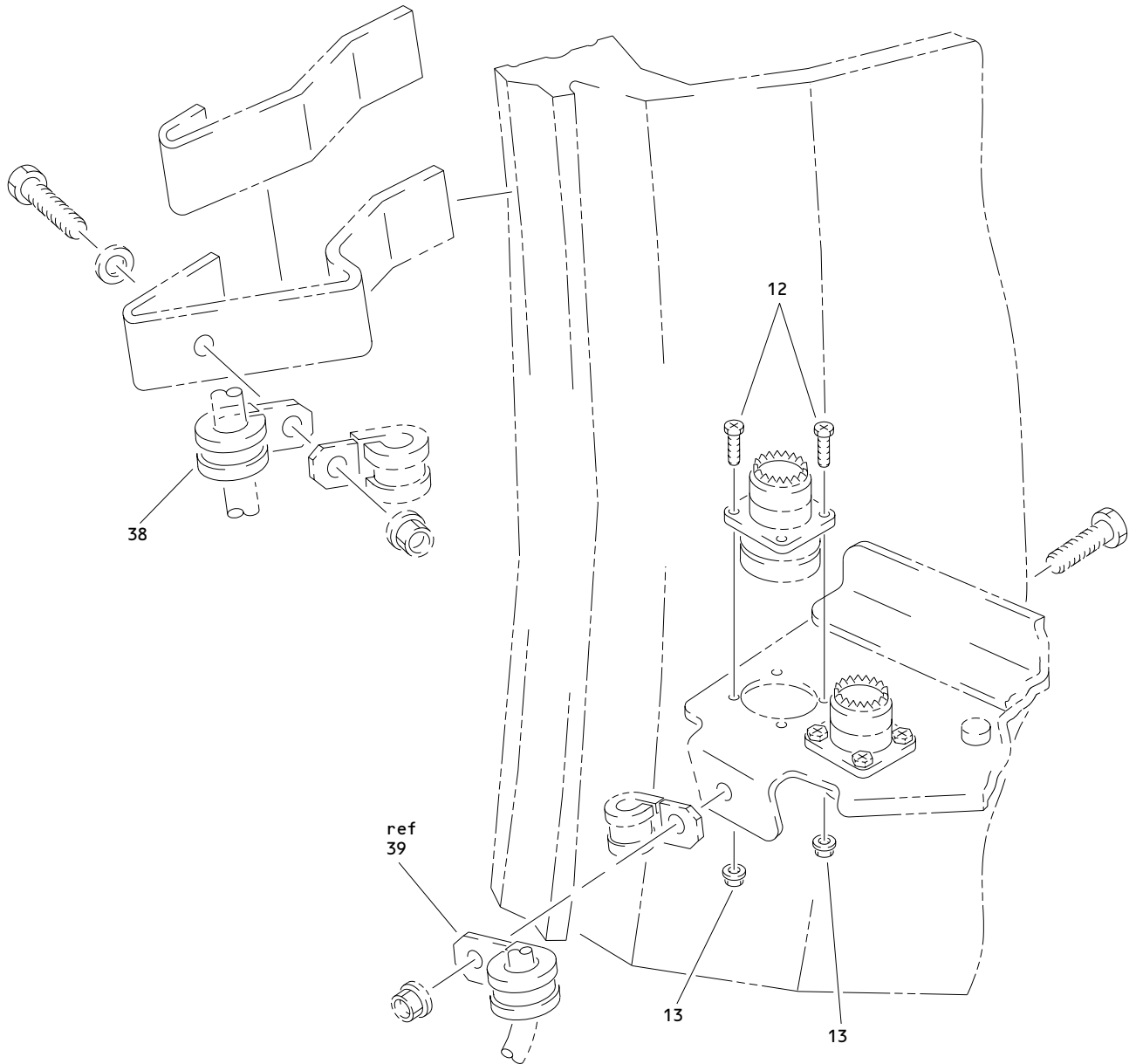
ILLUSTRATED PARTS LIST
01.1 Page 1046U
Nov 01/03



Common Wire Bundle Installation
Figure 12 (Sheet 1)

78-31-41

ILLUSTRATED PARTS LIST
01.1 Page 1046W
Nov 01/03

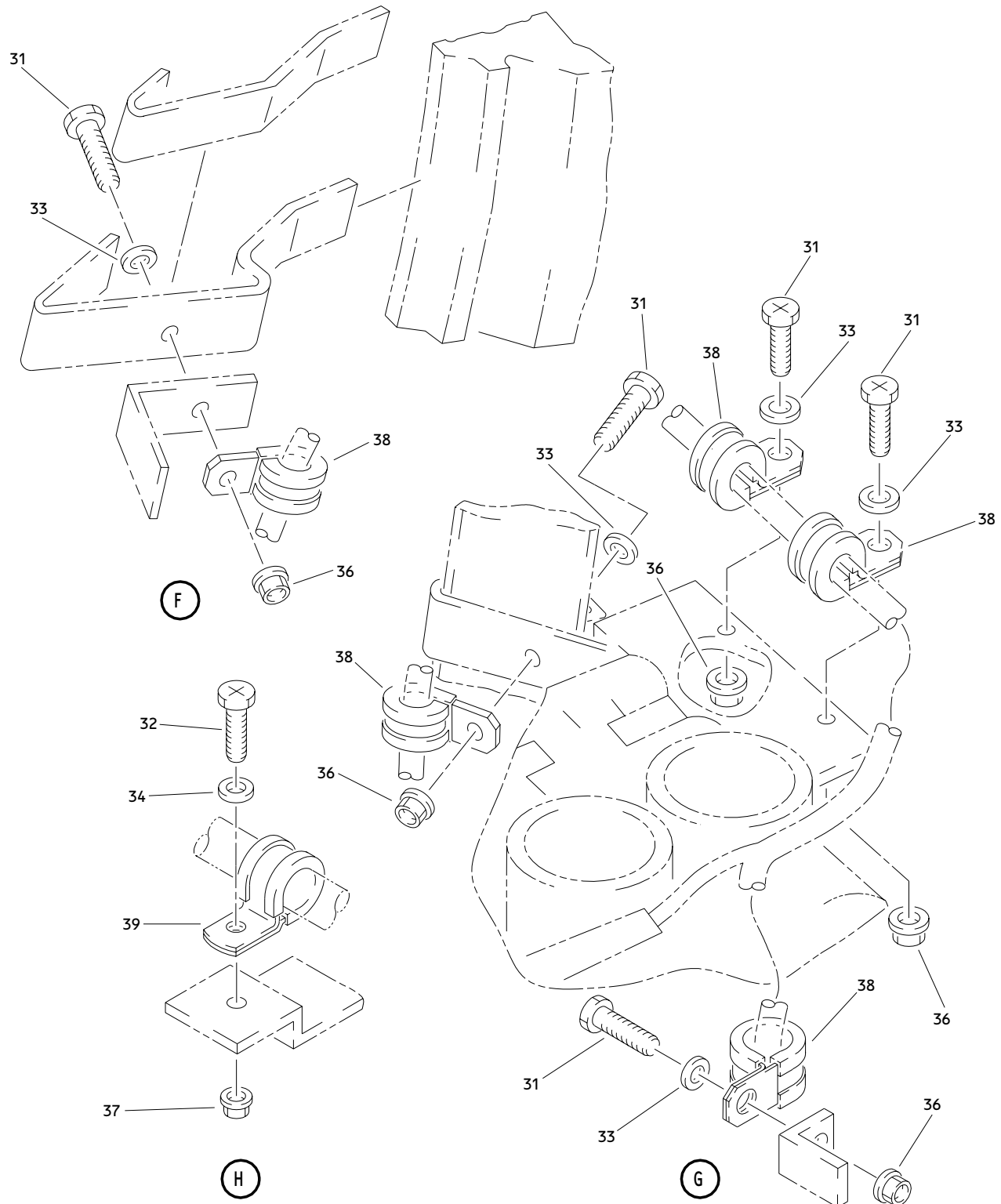


(E)

Common Wire Bundle Installation
Figure 12 (Sheet 3)

78-31-41

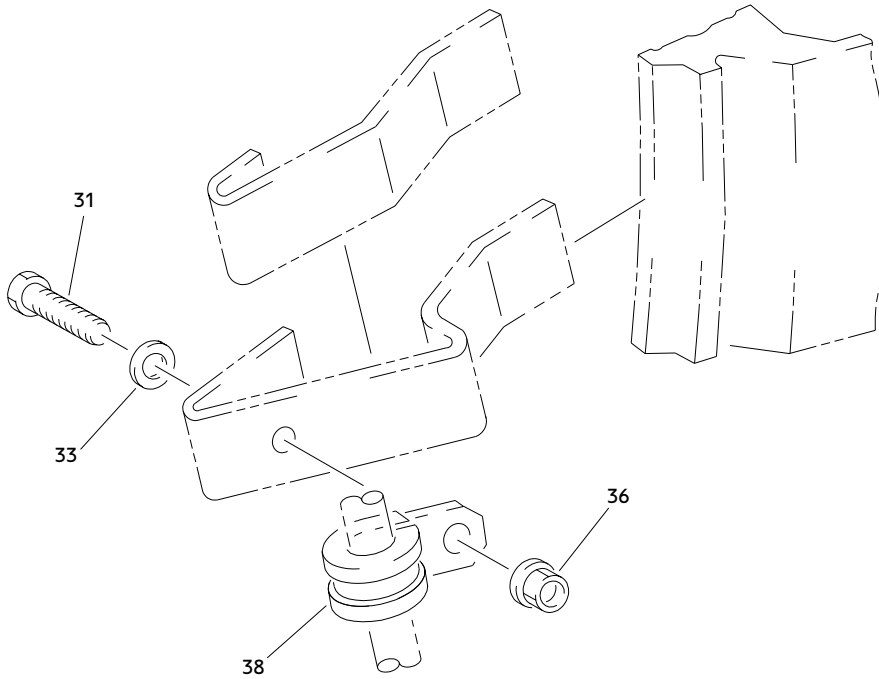
ILLUSTRATED PARTS LIST
01.1 Page 1046Y
Nov 01/03



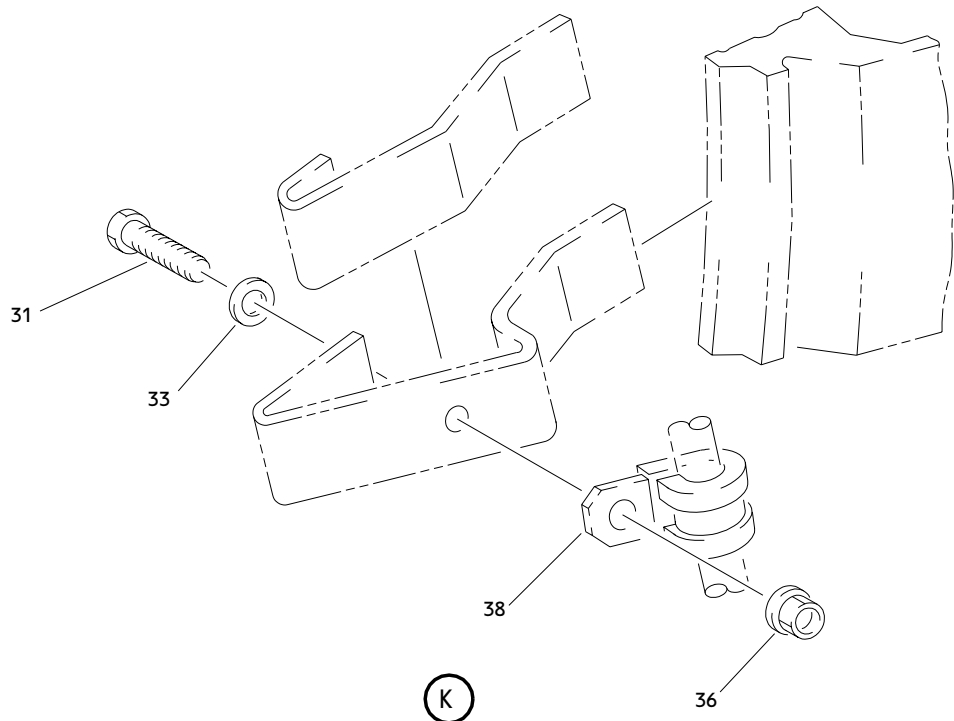
Common Wire Bundle Installation
 Figure 12 (Sheet 4)

78-31-41

ILLUSTRATED PARTS LIST
 01.1 Page 10462
 Nov 01/03



(J)

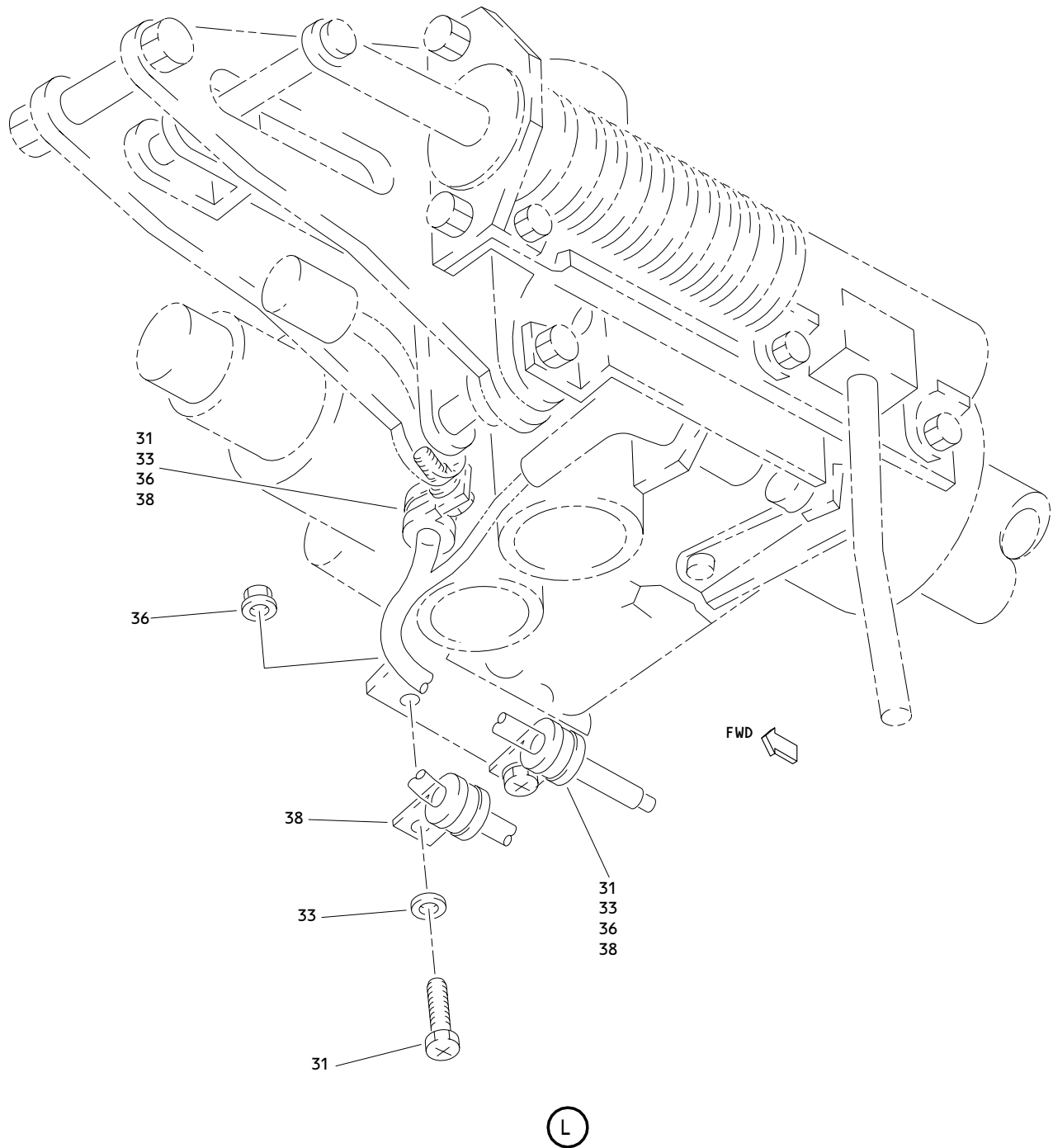


(K)

Common Wire Bundle Installation
Figure 12 (Sheet 5)

78-31-41

ILLUSTRATED PARTS LIST
01.1 Page 1047
Nov 01/03



Common Wire Bundle Installation
Figure 12 (Sheet 6)

78-31-41

ILLUSTRATED PARTS LIST
01.1 Page 1048
Nov 01/03



BOEING
COMPONENT
MAINTENANCE MANUAL

FIG. & ITEM	PART NO.	AIRLINE PART NUMBER	NOMENCLATURE 1234567	EFF CODE	QTY PER ASSY
12- -1A	315T3601-7		WIRE BUNDLE INSTL-COMMON (NHA 315T4295, REF COLLECTOR CMM 78-31-47)	HA	RF
-1B	315T3601-21		WIRE BUNDLE INSTL-COMMON (NHA 315T4295, REF COLLECTOR CMM 78-31-47)	HA	RF
-1C	315T3601-23		WIRE BUNDLE INSTL-COMMON (NHA 315T4295, REF COLLECTOR CMM 78-31-47)	HA	RF
-1D	315T3601-1		WIRE BUNDLE INSTL-COMMON (NHA 315U4295, REF COLLECTOR CMM 78-31-48)	HC	RF
-1E	315T3601-13		WIRE BUNDLE INSTL-COMMON (NHA 315U4295, REF COLLECTOR CMM 78-31-48)	HC	RF
-1F	315T3601-15		WIRE BUNDLE INSTL-COMMON (NHA 315U4295, REF COLLECTOR CMM 78-31-48)	HC	RF
-1G	315T3601-17		WIRE BUNDLE INSTL-COMMON (NHA 315U4295, REF COLLECTOR CMM 78-31-48)	HC	RF
-1H	315T3601-19		WIRE BUNDLE INSTL-COMMON (NHA 315U4295, REF COLLECTOR CMM 78-31-48)	HC	RF
-5	315T3601-8		WIRE BUNDLE INSTL-COMMON (NHA 315T4295, REF COLLECTOR CMM 78-31-47)	HB	RF
-5A	315T3601-22		WIRE BUNDLE INSTL-COMMON (NHA 315T4295, REF COLLECTOR CMM 78-31-47)	HB	RF
-5B	315T3601-24		WIRE BUNDLE INSTL-COMMON (NHA 315T4295, REF COLLECTOR CMM 78-31-47)	HB	RF
-5C	315T3601-2		WIRE BUNDLE INSTL-COMMON (NHA 315U4295, REF COLLECTOR CMM 78-31-48)	HD	RF
-5D	315T3601-14		WIRE BUNDLE INSTL-COMMON (NHA 315U4295, REF COLLECTOR CMM 78-31-48)	HD	RF
-5E	315T3601-16		WIRE BUNDLE INSTL-COMMON (NHA 315U4295, REF COLLECTOR CMM 78-31-48)	HD	RF
-5F	315T3601-18		WIRE BUNDLE INSTL-COMMON (NHA 315U4295, REF COLLECTOR CMM 78-31-48)	HD	RF

78-31-41

ILLUSTRATED PARTS LIST
01.1 Page 1048A
Nov 01/03

FIG. & ITEM	PART NO.	AIRLINE PART NUMBER	NOMENCLATURE 1234567	EFF CODE	QTY PER ASSY
12-5G	315T3601-20		WIRE BUNDLE INSTL-COMMON (NHA 315U4295, REF COLLECTOR CMM 78-31-48)	HD	RF
10	NAS1801-3		.SCREW- (SIZE DETERMINE ON INST)	HA-HD	1
12	NAS1801		.SCREW- (SIZE DETERMINE ON INST)	HA-HD	4
13	BACN10JC		.NUT- (SIZE DETERMINE ON INST)	HA-HD	4
15	MS35338-43		.WASHER	HA-HD	1
20	NAS1149D0316H		.WASHER	HA-HD	6
25	MS35650-305T		.NUT	HA-HD	1
30	MS21042L3		.NUT	HA-HD	4
31	NAS1801-3		.SCREW- (SIZE DETERMINE ON INST)	HA-HD	15
32	NAS1801-3		.SCREW- (SIZE DETERMINE ON INST)	HA,HC	1
33	NAS1149C0332R		.WASHER	HA-HD	15
34	NAS1149C0332R		.WASHER	HA,HC	1
-35	286T3528-044		DELETED		
36	PLH53CM		.NUT- (V62554) (SPEC BACN10YR3CM) (OPT H52732-3CM (V15653))	HA-HD	15
37	PLH53CM		.NUT- (V62554) (SPEC BACN10YR3CM) (OPT H52732-3CM (V15653))	HA,HC	1

78-31-41

 ILLUSTRATED PARTS LIST
 01.1 Page 1048B
 Nov 01/03

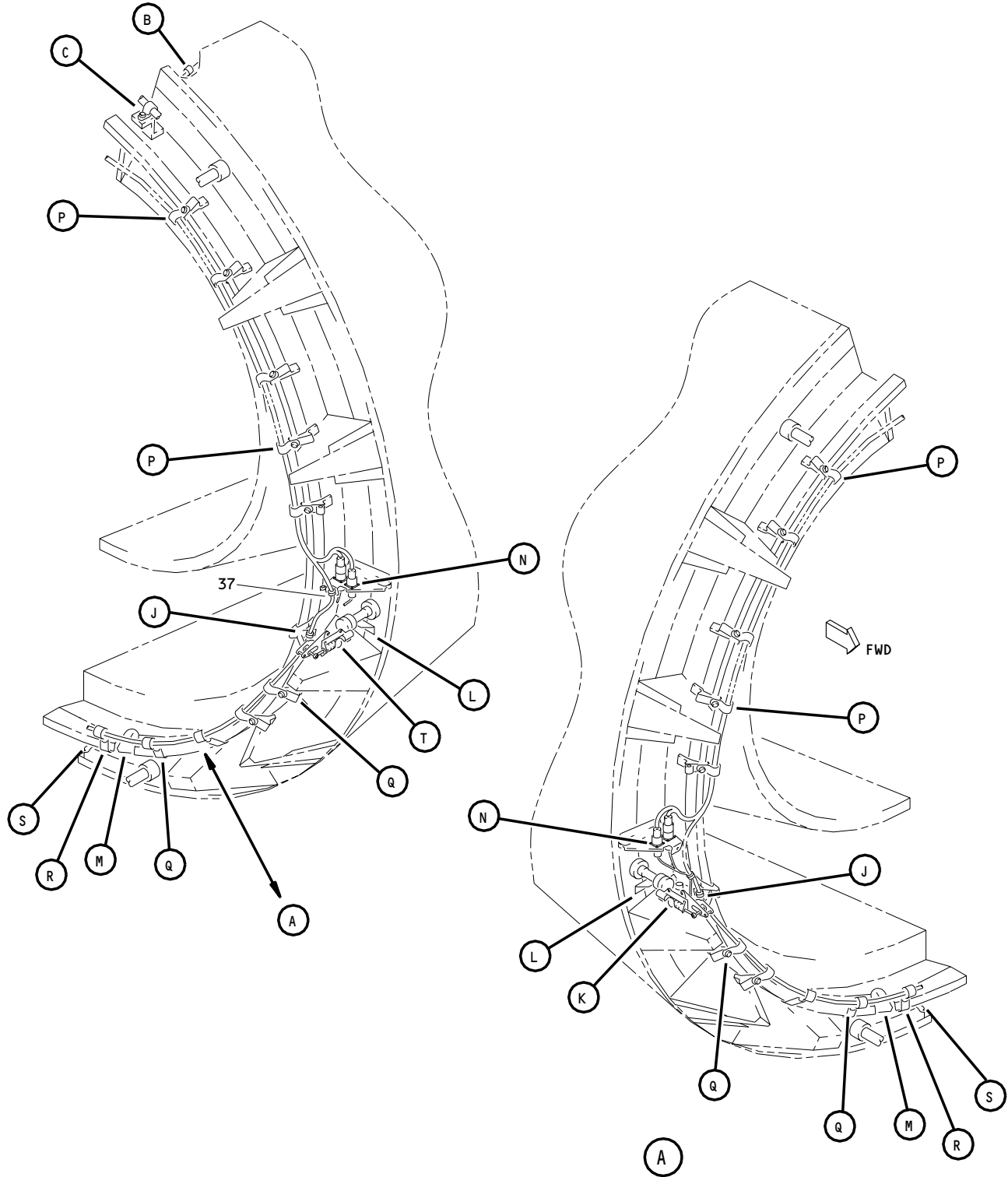
BOEING
COMPONENT
MAINTENANCE MANUAL

FIG. & ITEM	PART NO.	AIRLINE PART NUMBER	NOMENCLATURE 1234567	EFF CODE	QTY PER ASSY
12-38	BACC10GU		.CLAMP- (SIZE DETERMINE ON INST)	HA-HD	16
39	BACC10GU		.CLAMP- (SIZE DETERMINE ON INST)	HA,HC	2
-40	286T3526-044		DELETED		
-41	286T3528-044		.WIRE BUNDLE ASSY	HA	1
R -41A	61B43528-045		.WIRE BUNDLE ASSY	HC	1
-43	286T3526-044		.WIRE BUNDLE ASSY	HB	1
R -43A	61B43526-045		.WIRE BUNDLE ASSY	HD	1
45	BAC27TPP0489		.MARKER-ALUMINUM FOIL- GD6663S	HA,HC	1
-50	BAC27TPP0490		.MARKER-ALUMINUM FOIL- GD6645S	HB,HD	1
55	BAC27TTR61		.MARKER-ALUMINUM FOIL- GD5996DC	HA,HC	1
-60	BAC27TTR62		.MARKER-ALUMINUM FOIL- GD5994DC	HB,HD	1
65	BAC27TTR69		.MARKER-ALUMINUM FOIL- GD8308S	HA,HC	1
-70	BAC27TTR70		.MARKER-ALUMINUM FOIL- GD8310S	HB,HD	2

- Item Not Illustrated

78-31-41

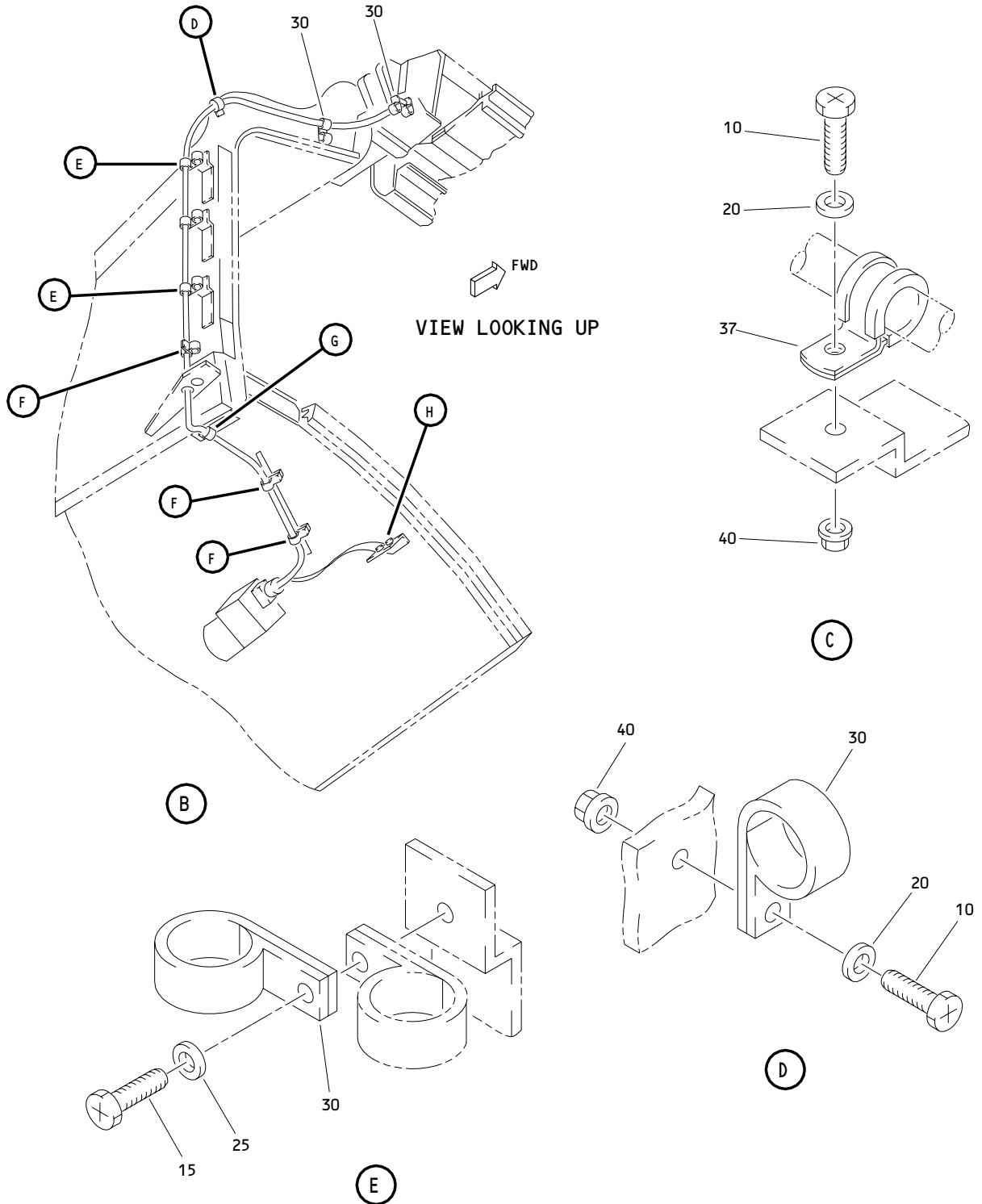
ILLUSTRATED PARTS LIST
01.1 Page 1048C
Nov 01/03



Manual/Power Wire Bundle Installation
 Figure 13 (Sheet 1)

78-31-41

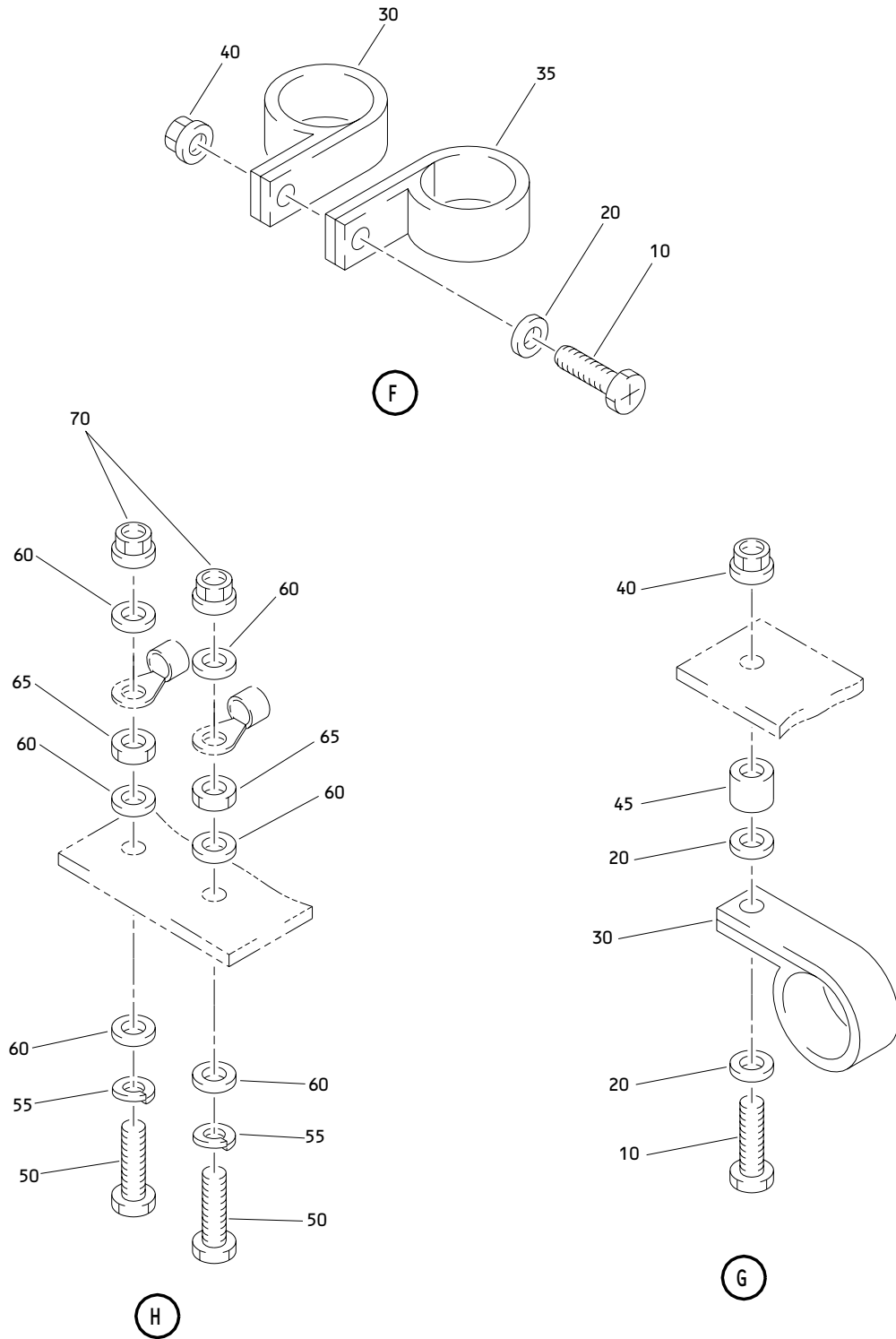
ILLUSTRATED PARTS LIST
 01.1 Page 1048D
 Nov 01/03



Manual/Power Wire Bundle Installation
Figure 13 (Sheet 2)

78-31-41

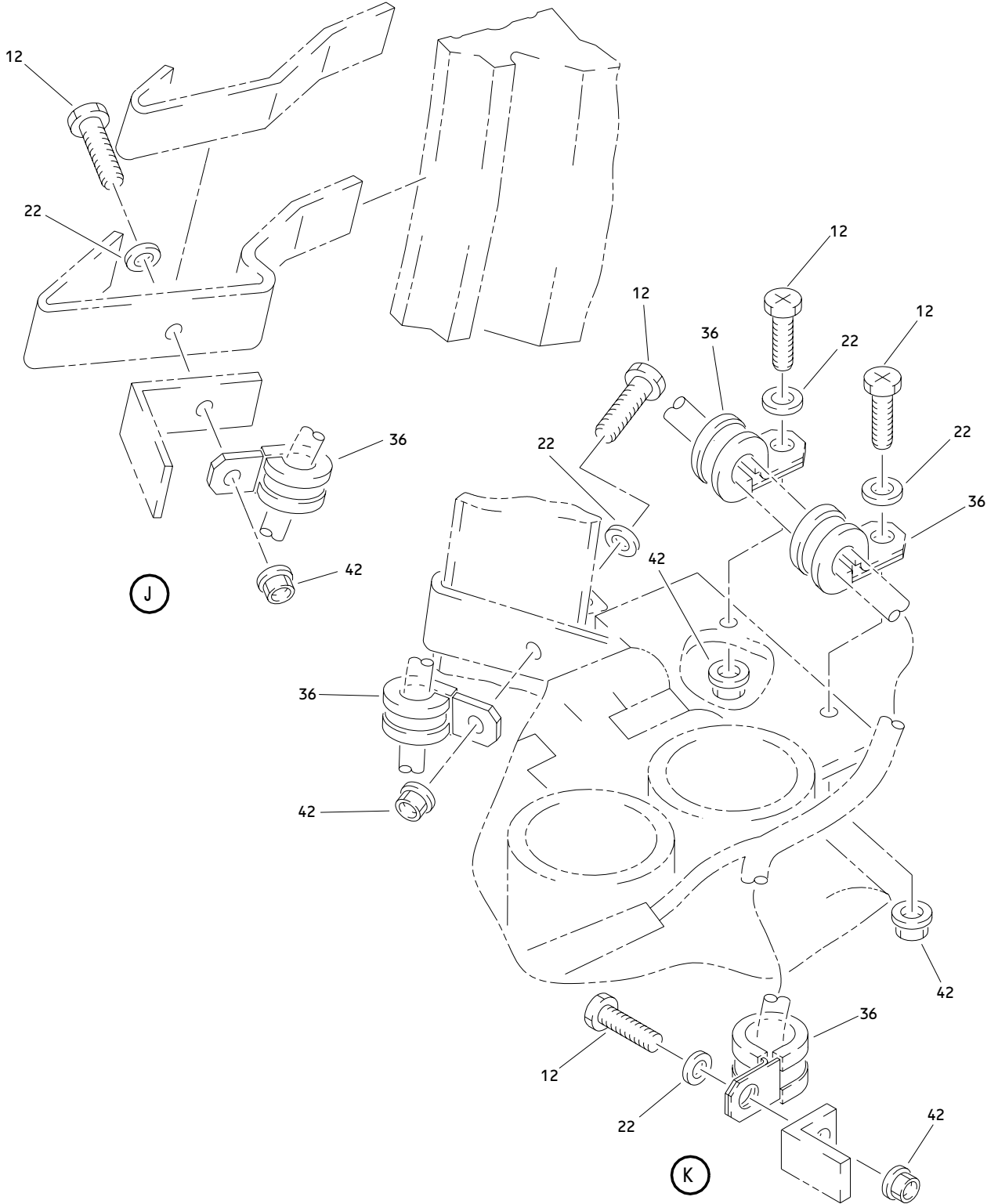
ILLUSTRATED PARTS LIST
01.1 Page 1048E
Nov 01/03



Manual/Power Wire Bundle Installation
 Figure 13 (Sheet 3)

78-31-41

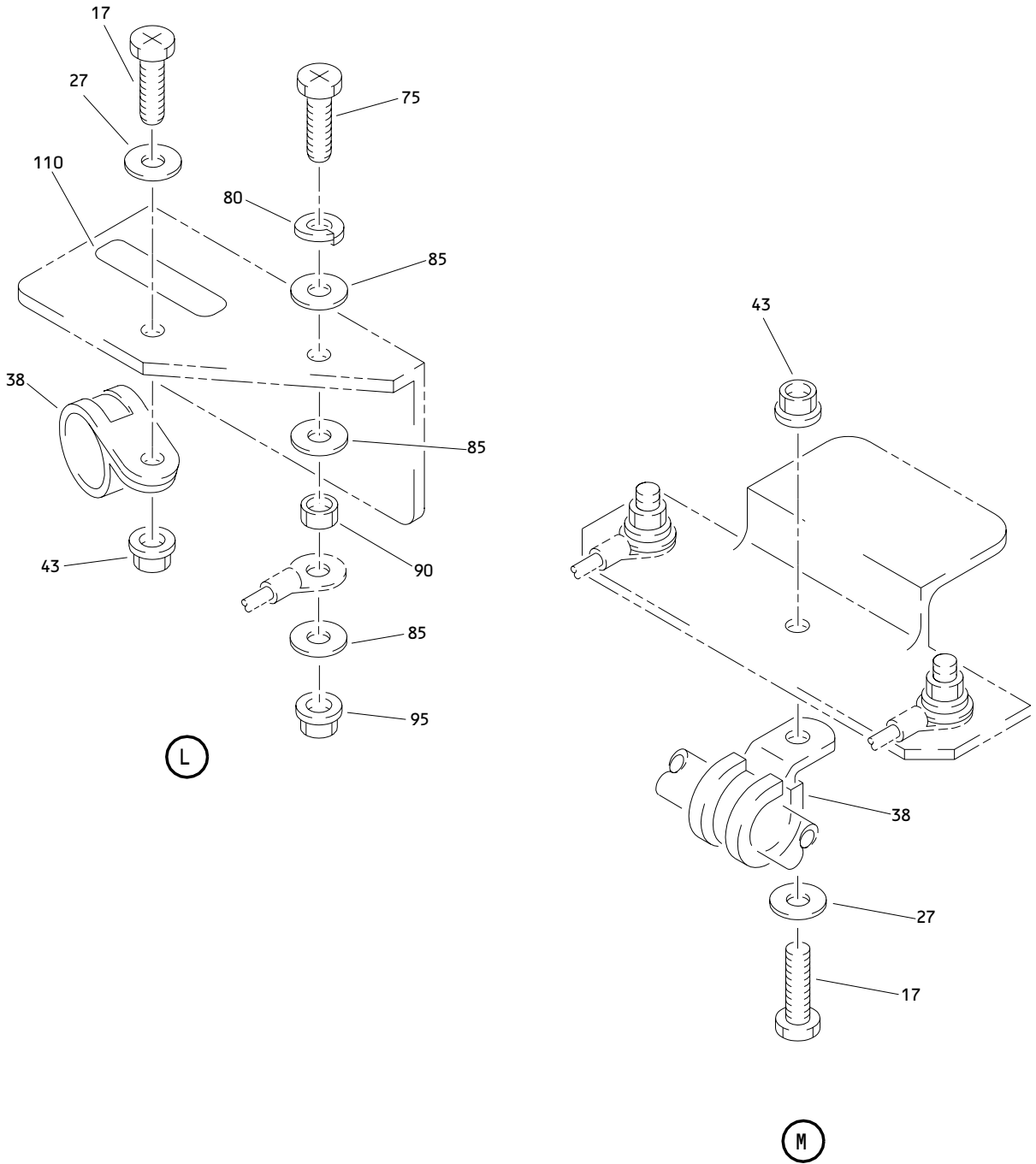
ILLUSTRATED PARTS LIST
 01.1 Page 1048F
 Nov 01/03



Manual/Power Wire Bundle Installation
Figure 13 (Sheet 4)

78-31-41

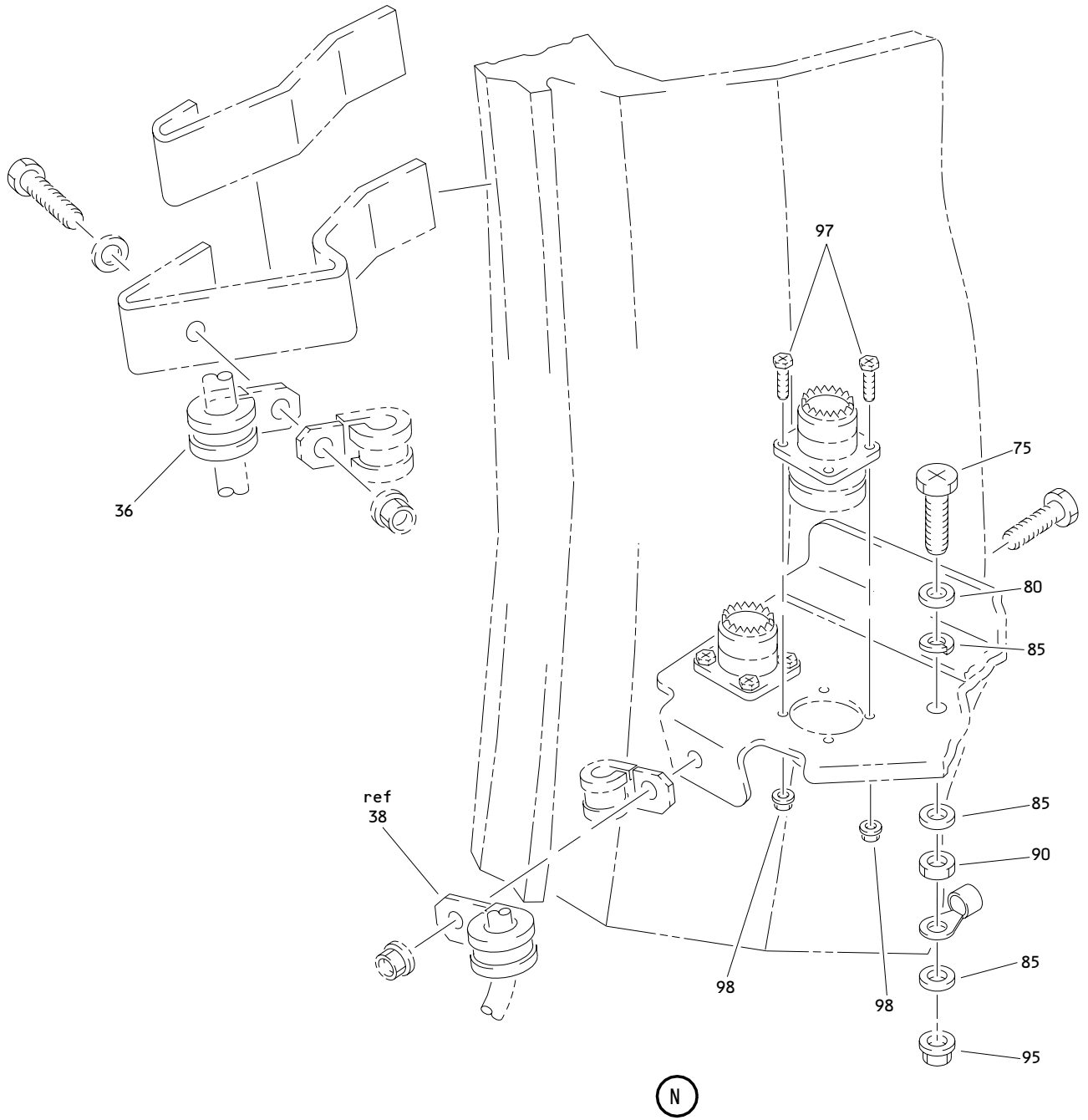
ILLUSTRATED PARTS LIST
01.1 Page 1048G
Nov 01/03



Manual/Power Wire Bundle Installation
 Figure 13 (Sheet 5)

78-31-41

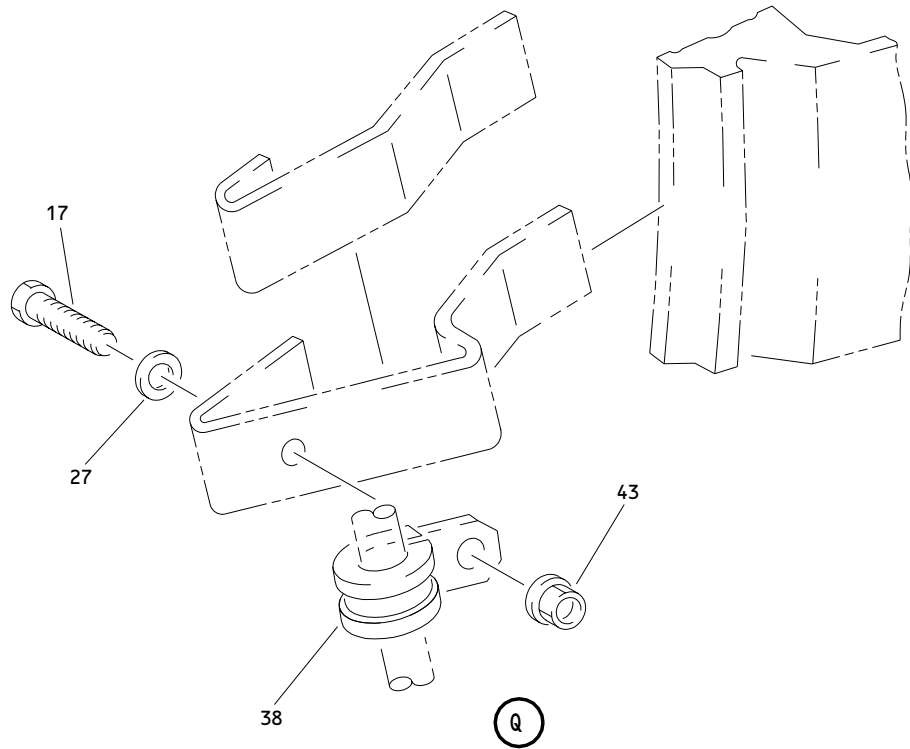
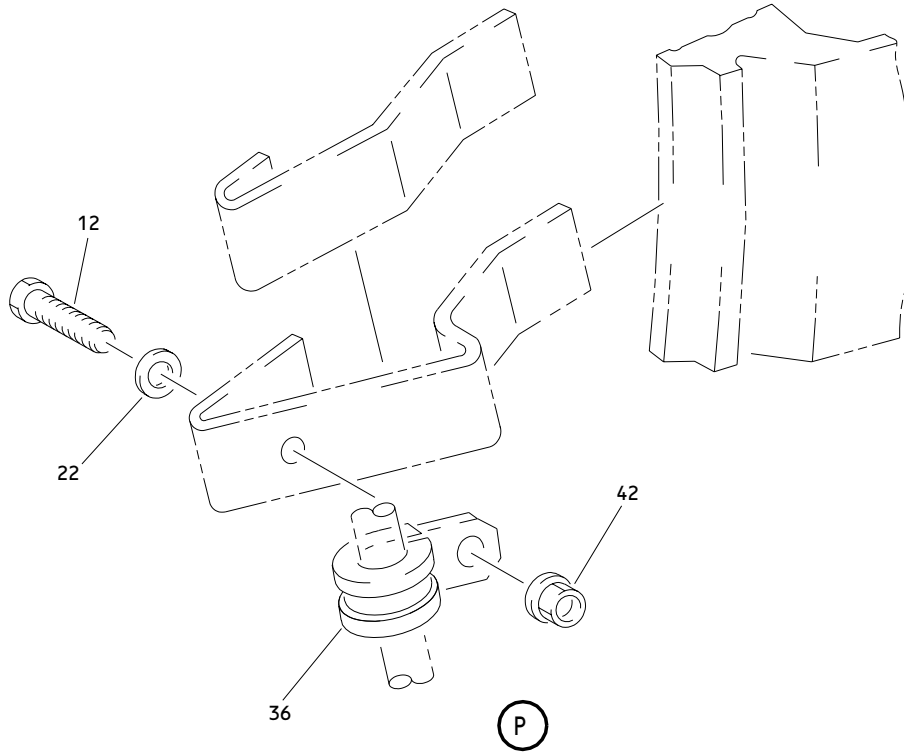
ILLUSTRATED PARTS LIST
 01.1 Page 1048H
 Nov 01/03



Manual/Power Wire Bundle Installation
Figure 13 (Sheet 6)

78-31-41

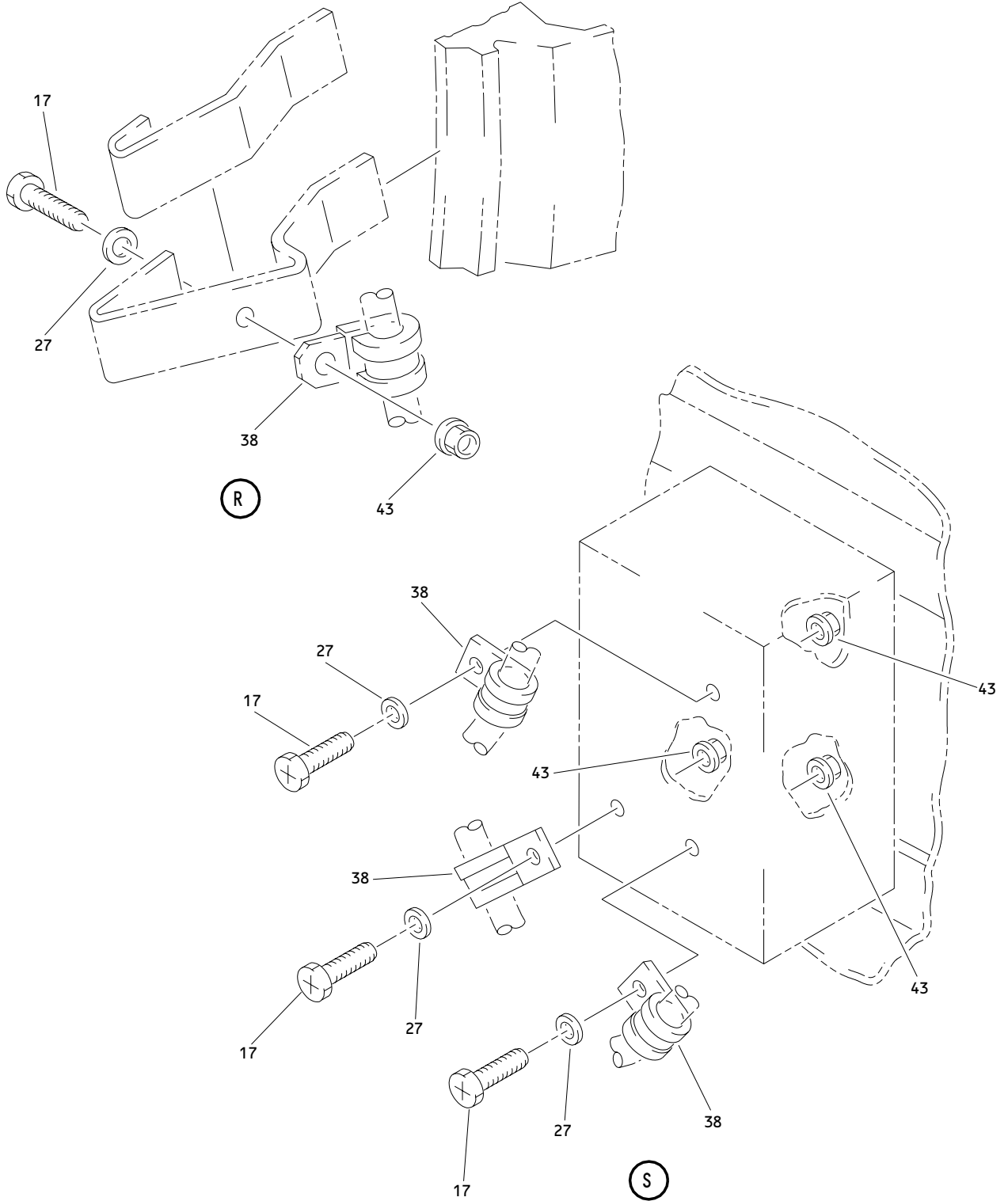
ILLUSTRATED PARTS LIST
01.1 Page 1048I
Nov 01/03



Manual/Power Wire Bundle Installation
Figure 13 (Sheet 7)

78-31-41

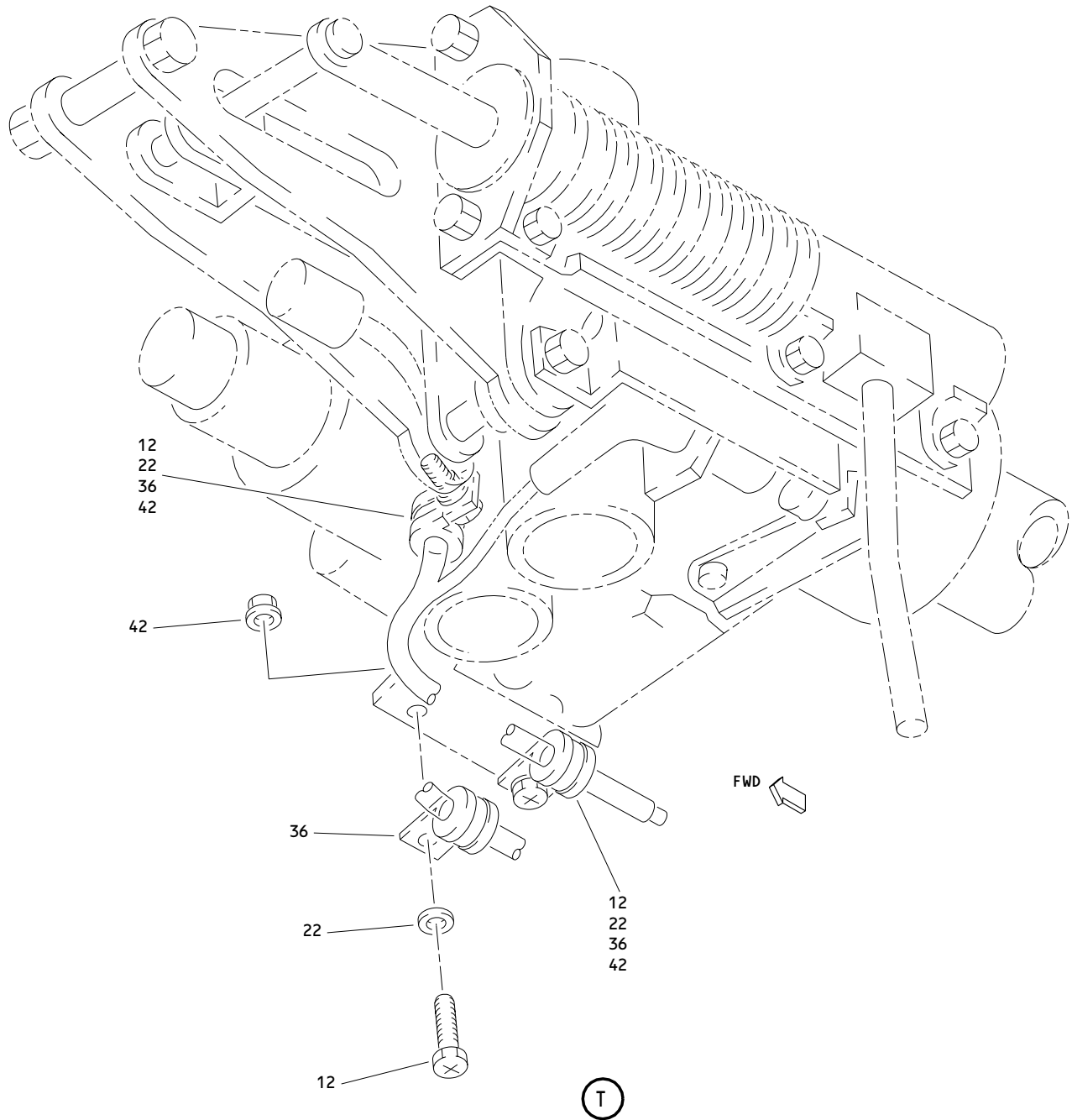
ILLUSTRATED PARTS LIST
01.1 Page 1048J
Nov 01/03



Manual/Power Wire Bundle Installation
Figure 13 (Sheet 8)

78-31-41

ILLUSTRATED PARTS LIST
01.1 Page 1048K
Nov 01/03



Manual/Power Wire Bundle Installation
Figure 13 (Sheet 9)

78-31-41

ILLUSTRATED PARTS LIST
01.1 Page 1048L
Nov 01/03



BOEING
COMPONENT
MAINTENANCE MANUAL

FIG. & ITEM	PART NO.	AIRLINE PART NUMBER	NOMENCLATURE 1234567	EFF CODE	QTY PER ASSY
13- -1A	315T3601-9		WIRE BUNDLE INSTL-MANUAL DOOR OPENING (NHA 315T4295, REF COLLECTOR CMM 78-31-47)	HA	RF
-1B	315T3601-11		WIRE BUNDLE INSTL-POWER DOOR OPENING (NHA 315T4295, REF COLLECTOR CMM 78-31-47)	HA	RF
-1C	315T3601-41		WIRE BUNDLE INSTL-MANUAL DOOR OPENING (NHA 315T4295, REF COLLECTOR CMM 78-31-47)	HA	RF
-1D	315T3601-43		WIRE BUNDLE INSTL-MANUAL DOOR OPENING (NHA 315T4295, REF COLLECTOR CMM 78-31-47)	HA	RF
-1E	315T3601-45		WIRE BUNDLE INSTL-POWER DOOR OPENING (NHA 315T4295, REF COLLECTOR CMM 78-31-47)	HA	RF
-1F	315T3601-47		WIRE BUNDLE INSTL-POWER DOOR OPENING (NHA 315T4295, REF COLLECTOR CMM 78-31-47)	HA	RF
-1G	315T3601-3		WIRE BUNDLE INSTL-MANUAL DOOR OPENING (NHA 315U4295, REF COLLECTOR CMM 78-31-48)	HC	RF
-1H	315T3601-5		WIRE BUNDLE INSTL-POWER DOOR OPENING (NHA 315U4295, REF COLLECTOR CMM 78-31-48)	HC	RF
-1J	315T3601-25		WIRE BUNDLE INSTL-MANUAL DOOR OPENING (NHA 315U4295, REF COLLECTOR CMM 78-31-48)	HC	RF
-1K	315T3601-27		WIRE BUNDLE INSTL-MANUAL DOOR OPENING (NHA 315U4295, REF COLLECTOR CMM 78-31-48)	HC	RF
-1L	315T3601-29		WIRE BUNDLE INSTL-MANUAL DOOR OPENING (NHA 315U4295, REF COLLECTOR CMM 78-31-48)	HC	RF

78-31-41

ILLUSTRATED PARTS LIST
01.1 Page 1048M
Nov 01/03

FIG. & ITEM	PART NO.	AIRLINE PART NUMBER	NOMENCLATURE 1234567	EFF CODE	QTY PER ASSY
13- -1M	315T3601-31		WIRE BUNDLE INSTL-MANUAL DOOR OPENING (NHA 315U4295, REF COLLECTOR CMM 78-31-48)	HC	RF
-1N	315T3601-33		WIRE BUNDLE INSTL-POWER DOOR OPENING (NHA 315U4295, REF COLLECTOR CMM 78-31-48)	HC	RF
-1P	315T3601-35		WIRE BUNDLE INSTL-POWER DOOR OPENING (NHA 315U4295, REF COLLECTOR CMM 78-31-48)	HC	RF
-1Q	315T3601-37		WIRE BUNDLE INSTL-POWER DOOR OPENING (NHA 315U4295, REF COLLECTOR CMM 78-31-48)	HC	RF
-1R	315T3601-39		WIRE BUNDLE INSTL-POWER DOOR OPENING (NHA 315U4295, REF COLLECTOR CMM 78-31-48)	HC	RF
-5	315T3601-10		WIRE BUNDLE INSTL-MANUAL DOOR OPENING (NHA 315T4295, REF COLLECTOR CMM 78-31-47)	HB	RF
-5A	315T3601-12		WIRE BUNDLE INSTL-POWER DOOR OPENING (NHA 315T4295, REF COLLECTOR CMM 78-31-47)	HB	RF
-5B	315T3601-42		WIRE BUNDLE INSTL-MANUAL DOOR OPENING (NHA 315T4295, REF COLLECTOR CMM 78-31-47)	HB	RF
-5C	315T3601-44		WIRE BUNDLE INSTL-MANUAL DOOR OPENING (NHA 315T4295, REF COLLECTOR CMM 78-31-47)	HB	RF
-5D	315T3601-46		WIRE BUNDLE INSTL-POWER DOOR OPENING (NHA 315T4295, REF COLLECTOR CMM 78-31-47)	HB	RF
-5E	315T3601-48		WIRE BUNDLE INSTL-POWER DOOR OPENING (NHA 315T4295, REF COLLECTOR CMM 78-31-47)	HB	RF

78-31-41

 ILLUSTRATED PARTS LIST
 01.1 Page 1048N
 Nov 01/03



BOEING
COMPONENT
MAINTENANCE MANUAL

FIG. & ITEM	PART NO.	AIRLINE PART NUMBER	NOMENCLATURE 1234567	EFF CODE	QTY PER ASSY
13-5F	315T3601-4		WIRE BUNDLE INSTL-MANUAL DOOR OPENING (NHA 315U4295, REF COLLECTOR CMM 78-31-48)	HD	RF
-5G	315T3601-6		WIRE BUNDLE INSTL-POWER DOOR OPENING (NHA 315U4295, REF COLLECTOR CMM 78-31-48)	HD	RF
-5H	315T3601-26		WIRE BUNDLE INSTL-MANUAL DOOR OPENING (NHA 315U4295, REF COLLECTOR CMM 78-31-48)	HD	RF
-5J	315T3601-28		WIRE BUNDLE INSTL-MANUAL DOOR OPENING (NHA 315U4295, REF COLLECTOR CMM 78-31-48)	HD	RF
-5K	315T3601-30		WIRE BUNDLE INSTL-MANUAL DOOR OPENING (NHA 315U4295, REF COLLECTOR CMM 78-31-48)	HD	RF
-5L	315T3601-32		WIRE BUNDLE INSTL-MANUAL DOOR OPENING (NHA 315U4295, REF COLLECTOR CMM 78-31-48)	HD	RF
-5M	315T3601-34		WIRE BUNDLE INSTL-POWER DOOR OPENING (NHA 315U4295, REF COLLECTOR CMM 78-31-48)	HD	RF
-5N	315T3601-36		WIRE BUNDLE INSTL-POWER DOOR OPENING (NHA 315U4295, REF COLLECTOR CMM 78-31-48)	HD	RF
-5P	315T3601-38		WIRE BUNDLE INSTL-POWER DOOR OPENING (NHA 315U4295, REF COLLECTOR CMM 78-31-48)	HD	RF
-5Q	315T3601-40		WIRE BUNDLE INSTL-POWER DOOR OPENING (NHA 315U4295, REF COLLECTOR CMM 78-31-48)	HD	RF
10	NAS1801-3		.SCREW- (SIZE DETERMINE ON INST)	HA,HC	6
12	NAS1801-3		.SCREW- (SIZE DETERMINE ON INST)	HA-HD	8

78-31-41

ILLUSTRATED PARTS LIST
01.1 Page 10480
Nov 01/03

FIG. & ITEM	PART NO.	AIRLINE PART NUMBER	NOMENCLATURE 1234567	EFF CODE	QTY PER ASSY
13-15	NAS1801-3		.SCREW- (SIZE DETERMINE ON INST) (USED ON ITEMS 1B, 1E, 1F)	HA	3
17	NAS1801-3		.SCREW- (SIZE DETERMINE ON INST) (USED ON ITEMS 1B, 1E, 1F, 1H, 1N, 1P, 1Q, 1R, 5A, 5D, 5E, 5G, 5M, 5N, 5P, 5Q)	HA-HD	10
20	NAS1149C0332R		.WASHER	HA,HC	7
22	NAS1149C0332R		.WASHER	HA-HD	8
25	NAS1149C0332R		.WASHER- (USED ON ITEMS 1B, 1E, 1F)	HA	3
27	NAS1149C0332R		.WASHER- (USED ON ITEMS 1B, 1E, 1F, 1H, 1N, 1P, 1Q, 1R, 5A, 5D, 5E, 5G, 5M, 5N, 5P, 5Q)	HA-HD	10
30	TA025041-06		.CLAMP- (V84971)	HA,HC	10
35	TA027016-06		.CLAMP- (V84971)	HA,HC	3
36	BACC10GU		.CLAMP- (SIZE DETERMINE ON INST)	HA-HD	9
37	BACC10GU		.CLAMP- (SIZE DETERMINE ON INST)	HA,HC	2
38	BACC10GU		.CLAMP- (SIZE DETERMINE ON INST) (USED ON ITEMS 1B, 1E, 1F, 1H, 1N, 1P, 1Q, 1R, 5A, 5D, 5E, 5G, 5M, 5N, 5P, 5Q)	HA-HD	10
40	H52732-3CM		.NUT- (V15653) (SPEC BACN10YR3CM) (OPT PLH53CM (V62554))	HA,HC	6
42	PLH53CM		.NUT- (V62554) (SPEC BACN10YR3CM) (OPT H52732-3CM (V15653))	HA-HD	8

78-31-41

 ILLUSTRATED PARTS LIST
 01.1 Page 1048P
 Nov 01/03

BOEING
COMPONENT
MAINTENANCE MANUAL

FIG. & ITEM	PART NO.	AIRLINE PART NUMBER	NOMENCLATURE 1234567	EFF CODE	QTY PER ASSY
13-43	PLH53CM		.NUT- (V62554) (SPEC BACN10YR3CM) (OPT H52732-3CM (V15653)) (USED ON ITEMS 1B, 1E, 1F, 1H, 1N, 1P, 1Q, 1R, 5A, 5D, 5E, 5G, 5M, 5N, 5P, 5Q)	HA-HD	10
45	NAS43DD3-15FC		.SPACER	HA,HC	1
50	NAS1801-3		.SCREW- (SIZE DETERMINE ON INST)	HA,HC	2
55	MS35338-43		.WASHER	HA,HC	2
60	NAS1149D0316H		.WASHER	HA,HC	6
65	MS35650-305T		.NUT	HA,HC	2
70	MS21042L3		.NUT	HA,HC	2
75	NAS1801-3		.SCREW- (SIZE DETERMINE ON INST)	HA-HD	1
80	MS35338-43		.WASHER	HA-HD	1
85	NAS1149D0316H		.WASHER	HA-HD	3
90	MS35650-305T		.NUT	HA-HD	1
95	MS21042L3		.NUT	HA-HD	1
97	NAS1801		.SCREW- (SIZE DETERMINE ON INST)	HA-HD	4
98	BACN10JC		.NUT- (SIZE DETERMINE ON INST)	HA-HD	4
-100	286T3530-049		.WIRE BUNDLE ASSY- (USED ON ITEMS 1A, 1C, 1D)	HA	1
-100A	286T3530-050		.WIRE BUNDLE ASSY- (USED ON ITEMS 1B, 1E, 1F)	HA	1
-100B	61B43530-049		.WIRE BUNDLE ASSY- (USED ON ITEMS 1G, 1J, 1K, 1L, 1M)	HC	1
-100C	61B43530-050		.WIRE BUNDLE ASSY- (USED ON ITEMS 1H, 1N, 1P, 1Q, 1R)	HC	1
-105	286T3532-049		.WIRE BUNDLE ASSY- (USED ON ITEMS 5, 5B, 5C)	HB	1
-105A	286T3532-050		.WIRE BUNDLE ASSY- (USED ON ITEMS 5A, 5D, 5E)	HB	1

78-31-41

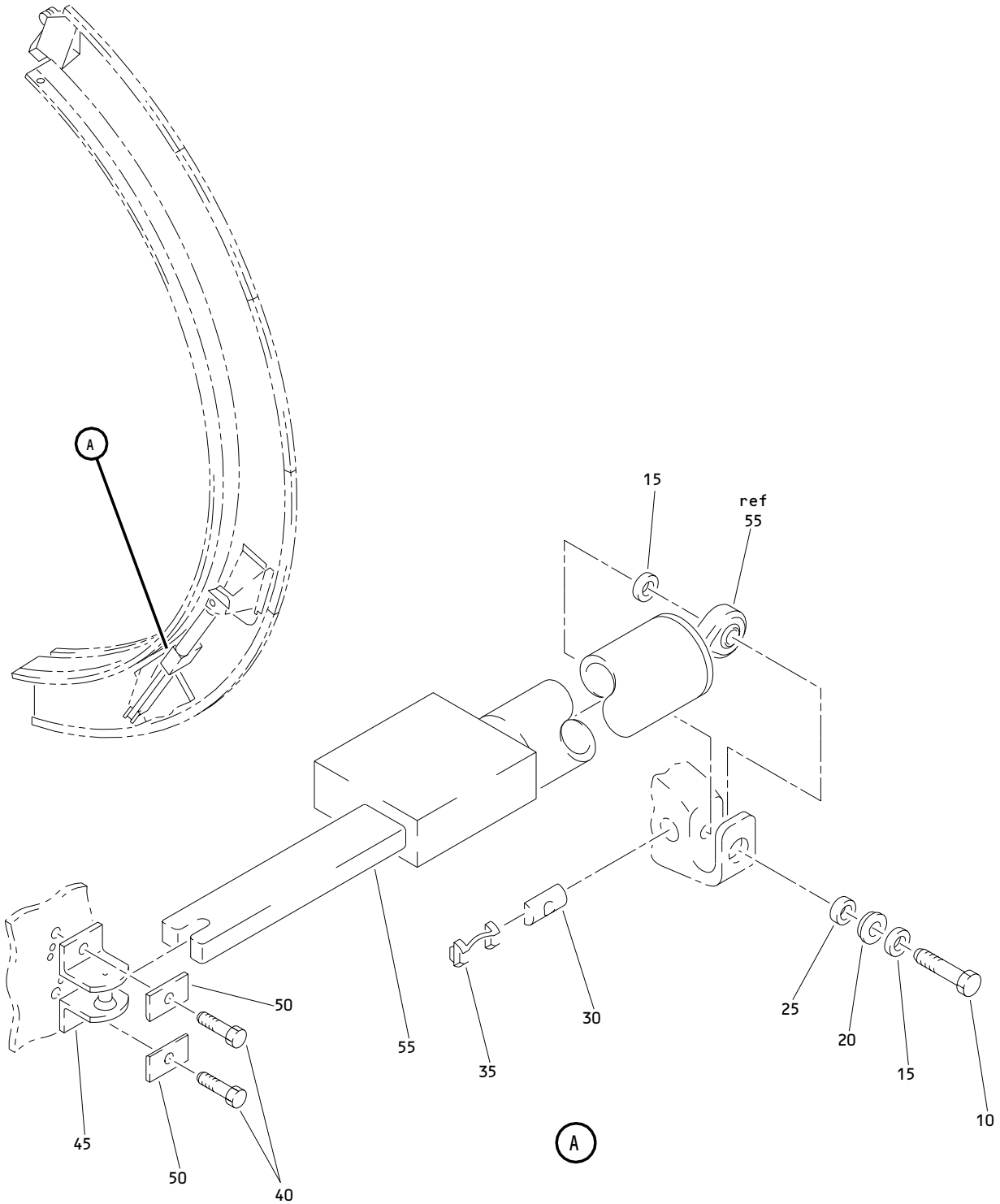
ILLUSTRATED PARTS LIST
01.1 Page 1048Q
Nov 01/03

FIG. & ITEM	PART NO.	AIRLINE PART NUMBER	NOMENCLATURE 1234567	EFF CODE	QTY PER ASSY
13- -105B	61B43532-049		.WIRE BUNDLE ASSY- (USED ON ITEMS 5F, 5H, 5J, 5K, 5L)	HD	1
-105C	61B43532-050		.WIRE BUNDLE ASSY- (USED ON ITEMS 5G, 5M, 5N, 5P, 5Q)	HD	1
110	BAC27TPP0490		.MARKER-ALUMINUM FOIL- GD6645S	HA,HC	1
-115	BAC27TPP0492		.MARKER-ALUMINUM FOIL- GD6641S	HB,HD	1

- Item Not Illustrated

78-31-41

ILLUSTRATED PARTS LIST
 01.1 Page 1048R
 Nov 01/03



Hold Open Rod Installation
 Figure 14

78-31-41

ILLUSTRATED PARTS LIST
 01.1 Page 1048T
 Nov 01/03



BOEING
COMPONENT
MAINTENANCE MANUAL

FIG. & ITEM	PART NO.	AIRLINE PART NUMBER	NOMENCLATURE 1234567	EFF CODE	QTY PER ASSY
14- -1A	315T3605-5		ROD INSTL-HOLD OPEN (NHA 315T4295, REF COLLECTOR CMM 78-31-47) (NHA 315U4295, REF COLLECTOR CMM 78-31-48)	HA,HC	RF
-1B	315T3605-7		ROD INSTL-HOLD OPEN (NHA 315T4295, REF COLLECTOR CMM 78-31-47)	HA	RF
-1C	315T3605-9		ROD INSTL-HOLD OPEN (NHA 315T4295, REF COLLECTOR CMM 78-31-47)	HA	RF
-1D	315T3605-11		ROD INSTL-HOLD OPEN (NHA 315U4295, REF COLLECTOR CMM 78-31-48)	HC	RF
-1E	315T3605-13		ROD INSTL-HOLD OPEN (NHA 315U4295, REF COLLECTOR CMM 78-31-48)	HC	RF
-1F	315T3605-15		ROD INSTL-HOLD OPEN (NHA 315U4295, REF COLLECTOR CMM 78-31-48)	HC	RF
-1G	315T3605-17		ROD INSTL-HOLD OPEN (NHA 315U4295, REF COLLECTOR CMM 78-31-48)	HC	RF
-5	315T3605-6		ROD INSTL-HOLD OPEN (NHA 315T4295, REF COLLECTOR CMM 78-31-47) (NHA 315U4295, REF COLLECTOR CMM 78-31-48)	HB,HD	RF
-5A	315T3605-8		ROD INSTL-HOLD OPEN (NHA 315T4295, REF COLLECTOR CMM 78-31-47)	HB	RF
-5B	315T3605-10		ROD INSTL-HOLD OPEN (NHA 315T4295, REF COLLECTOR CMM 78-31-47)	HB	RF
-5C	315T3605-12		ROD INSTL-HOLD OPEN (NHA 315U4295, REF COLLECTOR CMM 78-31-48)	HD	RF
-5D	315T3605-14		ROD INSTL-HOLD OPEN (NHA 315U4295, REF COLLECTOR CMM 78-31-48)	HD	RF
-5E	315T3605-16		ROD INSTL-HOLD OPEN (NHA 315U4295, REF COLLECTOR CMM 78-31-48)	HD	RF

78-31-41

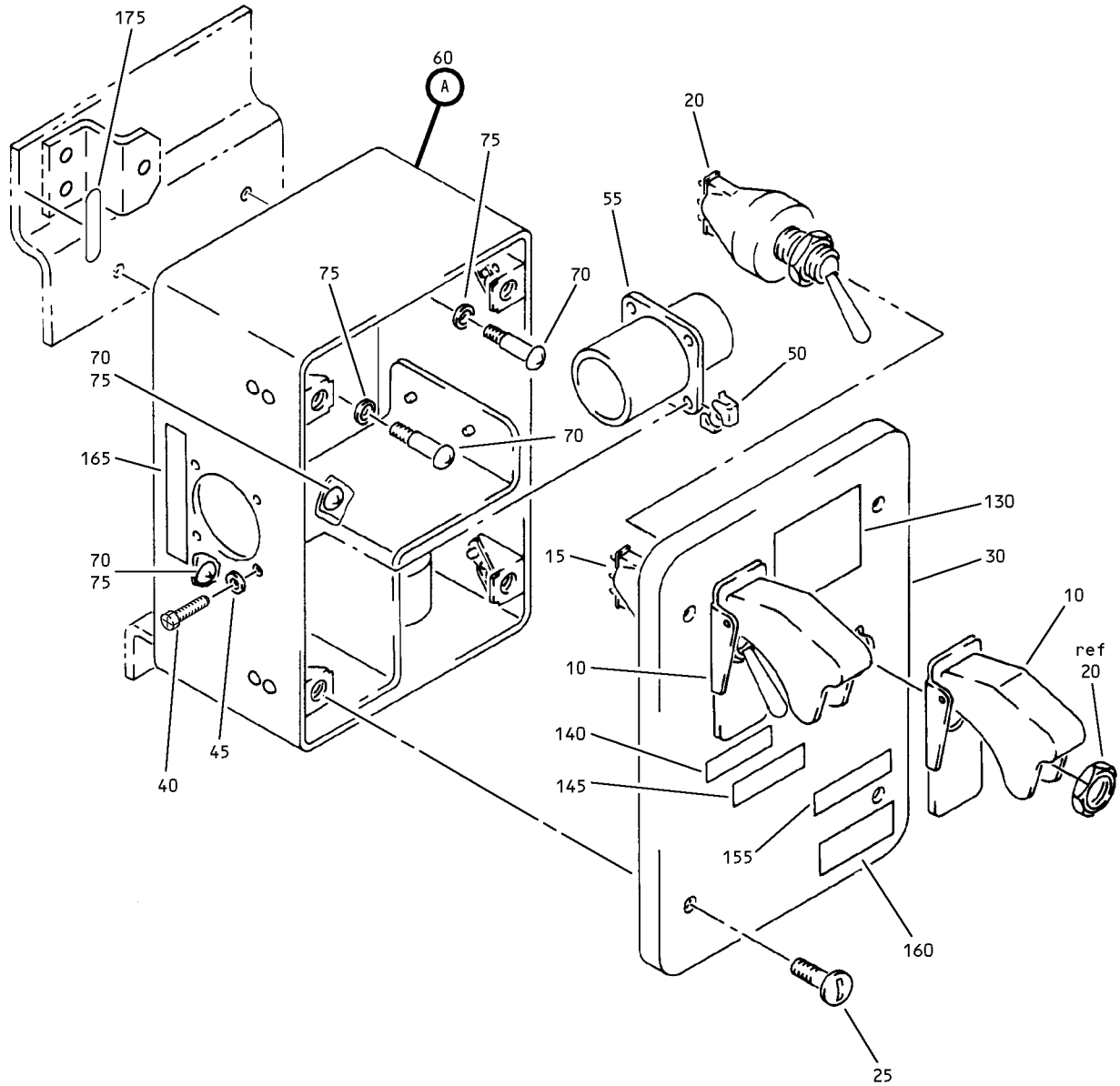
ILLUSTRATED PARTS LIST
01.1 Page 1048U
Nov 01/03

FIG. & ITEM	PART NO.	AIRLINE PART NUMBER	NOMENCLATURE 1234567	EFF CODE	QTY PER ASSY
14-5F	315T3605-18		ROD INSTL-HOLD OPEN (NHA 315U4295, REF COLLECTOR CMM 78-31-48)	HD	RF
10	BACB30LJ5-18		.BOLT	HA-HD	1
15	AN960C516		.WASHER	HA-HD	2
20	BACB28X7M020		.BUSHING	HA-HD	1
25	BACB28AK05-036		.BUSHING	HA-HD	1
30	NAS577-5A		.NUT	HA-HD	1
35	NAS578-5A		.RETAINER	HA-HD	1
40	BACB30LM4-4		.BOLT	HA-HD	2
45	RC1108		.RECEIVER- (V08844) (SPEC S314T220-3) (OPT 55939-3 (V84256))	HA-HD	1
50	315T3605-4		.FILLER-RADIUS (MFD FROM SHEET AL 2024-T3 QQ-A-25/4 F-18.13 0.125 IN. 0.70 IN. 1.20 IN.)	HA-HD	2
55	A6501-3		.STRUT ASSY- (V08844) (SPEC S315T366-9)	HA-HD	1

- Item Not Illustrated

78-31-41

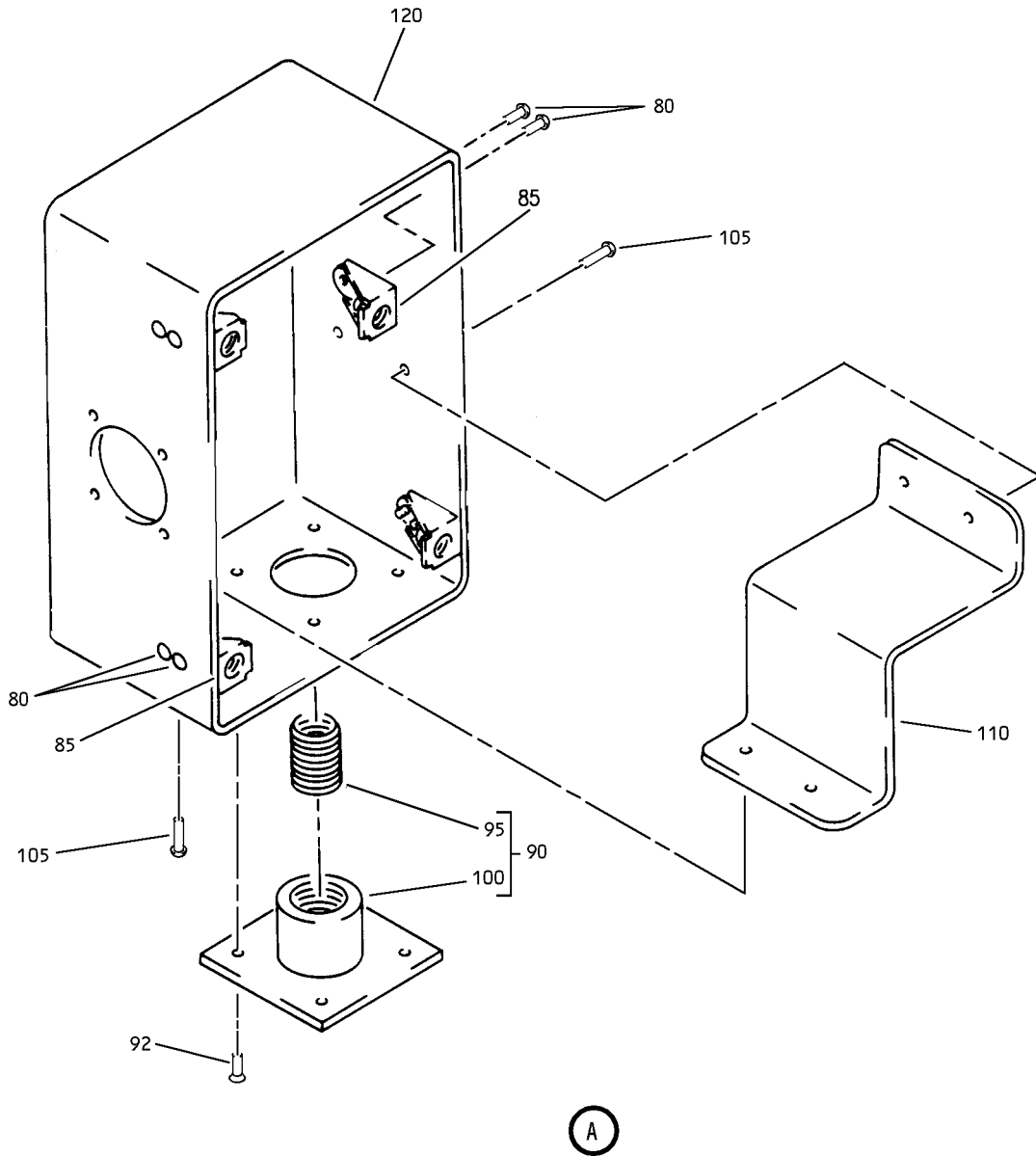
 ILLUSTRATED PARTS LIST
 01.1 Page 1048V
 Nov 01/03



Override Actuator Switch Installation
Figure 15 (Sheet 1)

78-31-41

ILLUSTRATED PARTS LIST
01.1 Page 1048W
Nov 01/03



Override Actuator Switch Installation
Figure 15 (Sheet 2)

78-31-41

ILLUSTRATED PARTS LIST
01.1 Page 1048X
Nov 01/03

 **BOEING**
COMPONENT
MAINTENANCE MANUAL

FIG. & ITEM	PART NO.	AIRLINE PART NUMBER	NOMENCLATURE 1234567	EFF CODE	QTY PER ASSY
15- -1A	315T3655-11		SWITCH INSTL-OVERRIDE ACTR (NHA 315T4295, REF COLLECTOR CMM 78-31-47)	HA	RF
-1B	315T3655-15		SWITCH INSTL-OVERRIDE ACTR (NHA 315T4295, REF COLLECTOR CMM 78-31-47)	HA	RF
-1C	315T3655-17		SWITCH INSTL-OVERRIDE ACTR (NHA 315T4295, REF COLLECTOR CMM 78-31-47)	HA	RF
-1D	315T3655-13		SWITCH INSTL-OVERRIDE ACTR (NHA 315U4295, REF COLLECTOR CMM 78-31-48)	HC	RF
-1E	315T3655-19		SWITCH INSTL-OVERRIDE ACTR (NHA 315U4295, REF COLLECTOR CMM 78-31-48)	HC	RF
-1F	315T3655-21		SWITCH INSTL-OVERRIDE ACTR (NHA 315U4295, REF COLLECTOR CMM 78-31-48)	HC	RF
-1G	315T3655-23		SWITCH INSTL-OVERRIDE ACTR (NHA 315U4295, REF COLLECTOR CMM 78-31-48)	HC	RF
-1H	315T3655-25		SWITCH INSTL-OVERRIDE ACTR (NHA 315U4295, REF COLLECTOR CMM 78-31-48)	HC	RF
-5	315T3655-12		SWITCH INSTL-OVERRIDE ACTR (NHA 315T4295, REF COLLECTOR CMM 78-31-47)	HB	RF
-5A	315T3655-16		SWITCH INSTL-OVERRIDE ACTR (NHA 315T4295, REF COLLECTOR CMM 78-31-47)	HB	RF

78-31-41

ILLUSTRATED PARTS LIST
01.1 Page 1048Y
Nov 01/03

FIG. & ITEM	PART NO.	AIRLINE PART NUMBER	NOMENCLATURE 1234567	EFF CODE	QTY PER ASSY
15- -5B	315T3655-18		SWITCH INSTL-OVERRIDE ACTR (NHA 315T4295, REF COLLECTOR CMM 78-31-47)	HB	RF
-5C	315T3655-14		SWITCH INSTL-OVERRIDE ACTR (NHA 315U4295, REF COLLECTOR CMM 78-31-48)	HD	RF
-5D	315T3655-20		SWITCH INSTL-OVERRIDE ACTR (NHA 315U4295, REF COLLECTOR CMM 78-31-48)	HD	RF
-5E	315T3655-22		SWITCH INSTL-OVERRIDE ACTR (NHA 315U4295, REF COLLECTOR CMM 78-31-48)	HD	RF
-5F	315T3655-24		SWITCH INSTL-OVERRIDE ACTR (NHA 315U4295, REF COLLECTOR CMM 78-31-48)	HD	RF
-5G	315T3655-26		SWITCH INSTL-OVERRIDE ACTR (NHA 315U4295, REF COLLECTOR CMM 78-31-48)	HD	RF
10	MS25224-3		. GUARD	HA-HD	2
15	65408		. SWITCH-TG (V02005)	HA-HD	1
20	65407		. SWITCH-TG (V02005)	HA-HD	1
25	AN525-10R6		. SCREW	HA-HD	4
30	315T3656-17		. COVER	HA,HC	1
-35	315T3656-10		. COVER	HB,HD	1
40	BACS12CB04-5		. SCREW	HA-HD	4
45	AN960XC4L		. WASHER	HA-HD	4
50	132003		. NUT- (V76530) (SPEC BACN10XP1)	HA-HD	4
55	R071914-7P		. CONNECTOR- (V41118) (SPEC BACC45FM14-7P) (OPT C48-00R14-7P102 (V13556)) (OPT ZZYAC1714-7P (V49367)) (OPT 48-00R14-7P300 (V02660))	HA-HD	1

78-31-41

 ILLUSTRATED PARTS LIST
 01.1 Page 1048Z
 Nov 01/03

BOEING
COMPONENT
MAINTENANCE MANUAL

FIG. & ITEM	PART NO.	AIRLINE PART NUMBER	NOMENCLATURE 1234567	EFF CODE	QTY PER ASSY
15-60	315T3656-21		.BOX ASSY-JCT	HA,HC	1
-65	315T3656-20		.BOX ASSY-JCT	HB,HD	1
70	BACB30LK3-2		ATTACHING PARTS		
75	AN960KD10L		.BOLT	HA-HD	4
			.WASHER	HA-HD	4
			-----*-----		
80	BACR15BB3AD		..RIVET-	HA-HD	8
			(SIZE DETERMINE ON INST)		
85	MF6000-3		..NUTPLATE-	HA-HD	4
			(V15653)		
			(SPEC BACN10KJ3)		
90	315T3245-1		..RETAINER ASSY-	HA-HD	1
			DEACTIVATION PIN		
			ATTACHING PARTS		
92	BACR15BA5AD		..RIVET-	HA-HD	4
			(SIZE DETERMINE ON INST)		
			-----*-----		
95	MS21209F8-10		...INSERT	HA-HD	1
100	315T3245-2		...RETAINER	HA-HD	1
105	BACR15BB4AD		..RIVET-	HA-HD	4
			(SIZE DETERMINE ON INST)		
110	315T3658-1		..ANGLE	HA,HC	1
-115	315T3658-10		..ANGLE	HB,HD	1
120	315T3656-7		..BOX	HA,HC	1
-125	315T3656-8		..BOX	HB,HD	1
130	BAC27TTR0001		.MARKER-ALUMINUM FOIL-	HA,HC	1
			LH COWL		
-135	BAC27TTR0002		.MARKER-ALUMINUM FOIL-	HB,HD	1
			RH COWL		
140	BAC27TTR0003		.MARKER-ALUMINUM FOIL-	HA-HD	1
			OPEN		
145	BAC27TTR0051		.MARKER-ALUMINUM FOIL-	HC	1
			M3772		
-145A	BAC27TTR0008		.MARKER-ALUMINUM FOIL-	HA	1
			M580		
-150	BAC27TTR0052		.MARKER-ALUMINUM FOIL-	HD	1
			M3773		
-150A	BAC27TTR0009		.MARKER-ALUMINUM FOIL-	HB	1
			M581		
155	BAC27TTR0004		.MARKER-ALUMINUM FOIL-	HA-HD	1
			CLOSE		

78-31-41

ILLUSTRATED PARTS LIST
01.1 Page 1049
Nov 01/03

FIG. & ITEM	PART NO.	AIRLINE PART NUMBER	NOMENCLATURE 1234567	EFF CODE	QTY PER ASSY
15-160	BAC27TTR0006		.MARKER-ALUMINUM FOIL-PIN STOWAGE	HA-HD	1
165	BAC27TTR0012		.MARKER-ALUMINUM FOIL-M/WD164	HA	1
-165A	BAC27ETR10		.MARKER-ALUMINUM FOIL-M/WDM3772	HC	1
-170	BAC27TTR0013		.MARKER-ALUMINUM FOIL-M/WD166	HB	1
-170A	BAC27ETR11		.MARKER-ALUMINUM FOIL-M/WDM3773	HD	1
175	BAC27TTR69		.MARKER-ALUMINUM FOIL-GD8308S	HC	1
-180	BAC27TTR70		.MARKER-ALUMINUM FOIL-GD8310S	HD	1

- Item Not Illustrated

78-31-41

 ILLUSTRATED PARTS LIST
 01.1 Page 1050
 Nov 01/03